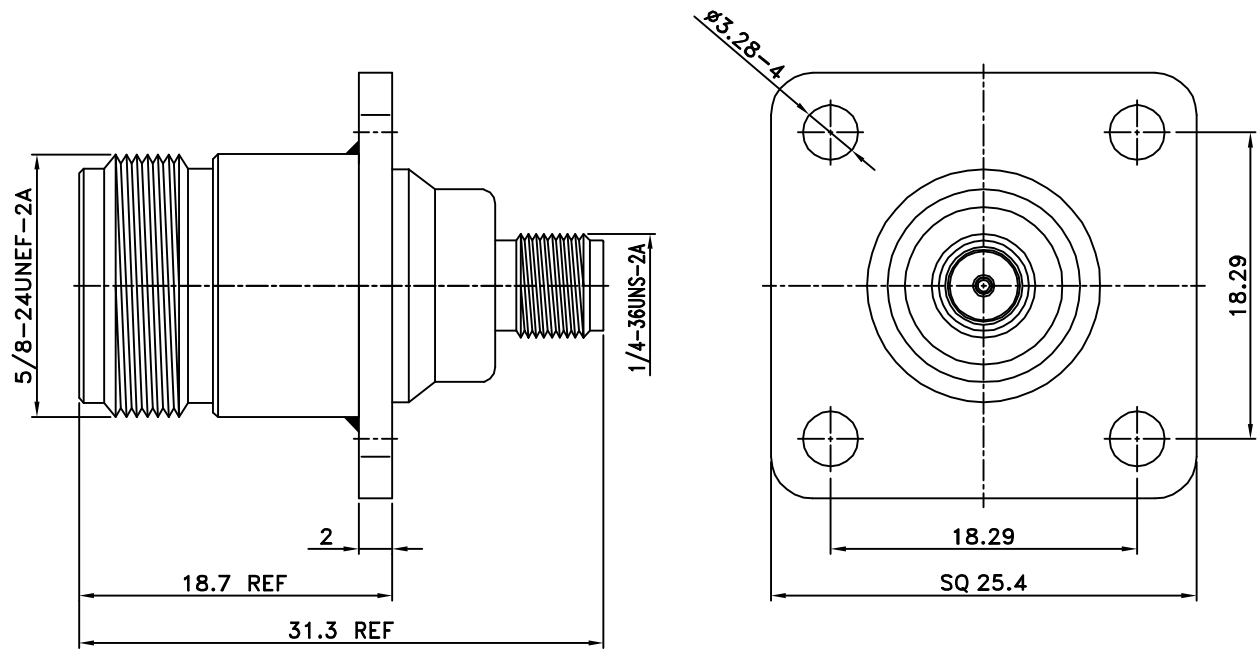


REV	DESCRIPTION\PER REQUEST	DRAWN	DATE



6	Dielectric	1	Teflon	None
5	Dielectric	1	Teflon	None
4	Pin	1	Phos Bronze	Gold
3	Pin	1	Phos Bronze	Gold
2	Body	1	Brass	Nickel
1	Assembly	1	Brass	Nickel
NO	Description	Q'ty	Material	Finish

PART NO. 132P9505		* MAJOR DIMENSION		Bomar Interconnect Products, Inc	
APPROVED	DATE 10/29/12	UNLESS OTHERWISE NOTED TOLERANCES			
CHECKED	DATE 10/29/12	0.5-6=±0.2		TITLE N PANEL JACK TO SMA JACK ADAPTER	
DRAWN Wen	DATE 10/29/12	6-30=±0.4		DRAWING NO. ASN-11220-1-TGN	
		120-315=±1.0		REV A	
		ANGLES=±1°		FILE NO. W:\AS\ASN\ASN-11220-1-TGN Bomar->20121105	
SCALE	5/2	UNIT	mm		