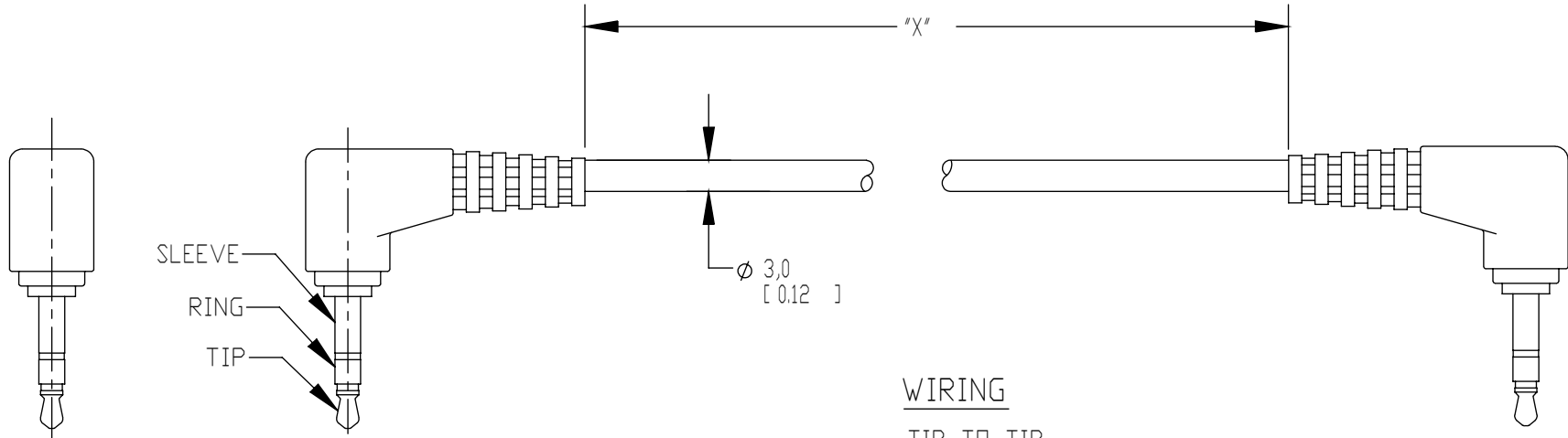


**NOTES:**

1. PRIMARY UNITS ARE METRIC (MM [INCHES]).
2. THIS PRODUCT IS RoHS COMPLIANT.



**RA 2.5mm 3 CONDUCTOR PLUG**

BOTH ENDS

**WIRING**

TIP TO TIP  
RING TO RING  
SLEEVE TO SLEEVE

**MATERIALS:**

- OVERMOLD CABLE - PVC, BLACK  
- 2 CONDUCTOR, 28 AWG, SPIRAL SHIELDED  
BLACK PVC JACKET
- PLUG - BRASS, NICKEL PLATED

PART NUMBER	DIMENSION "X"	
	METERS	INCHES
251HR079251X	2 METERS+50mm/-0	79.00+2.00/-0

CUSTOMER DRAWING

					★ STAR SYMBOL DENOTES CRITICAL DIMENSION	THIS DRAWING DESCRIBES A DESIGN CONSIDERED PROPRIETARY IN NATURE, DEVELOPED AND MANUFACTURED BY SWITCHCRAFT INC. AND IS RELEASED ON A CONFIDENTIAL BASIS FOR IDENTIFICATION PURPOSES ONLY.						
					UNLESS OTHERWISE SPECIFIED	SIZE	WIDTH	MULT	LBS/M	TEMPER		
					1. ALL DIMENSIONS IN INCHES -TWO PLACE DECIMALS ±0.01 -THREE PLACE DECIMALS ±0.005 -ANGLES ±1° -ALL DIA. CONCENTRIC WITHIN 0.005 T.I.R.	FINISH		MATERIAL				
					2. FEATURES ON THE SAME CENTERLINE MUST BE ALIGNED WITHIN ±0.002	SPEC No.		SPEC No.				
					3. REMOVE ALL BURRS	FIRST USED ON		SCALE 3:2				
A	26298	03-25-08	AH	TJK		DATE DRAWN	BY	CHKD	APVD	<b>Switchcraft®</b>		
REV	ECD NUMBER	DATE	BY	APVD		03-04-08	AH	AH 03-04-08	BDS 03-04-08			
REVISIONS					DO NOT SCALE DRAWING	NAME CABLE ASSEMBLY 2.5mm 3 CONDUCTOR RA TO RA, RoHS					PART No. 251HR__251X	REV A

