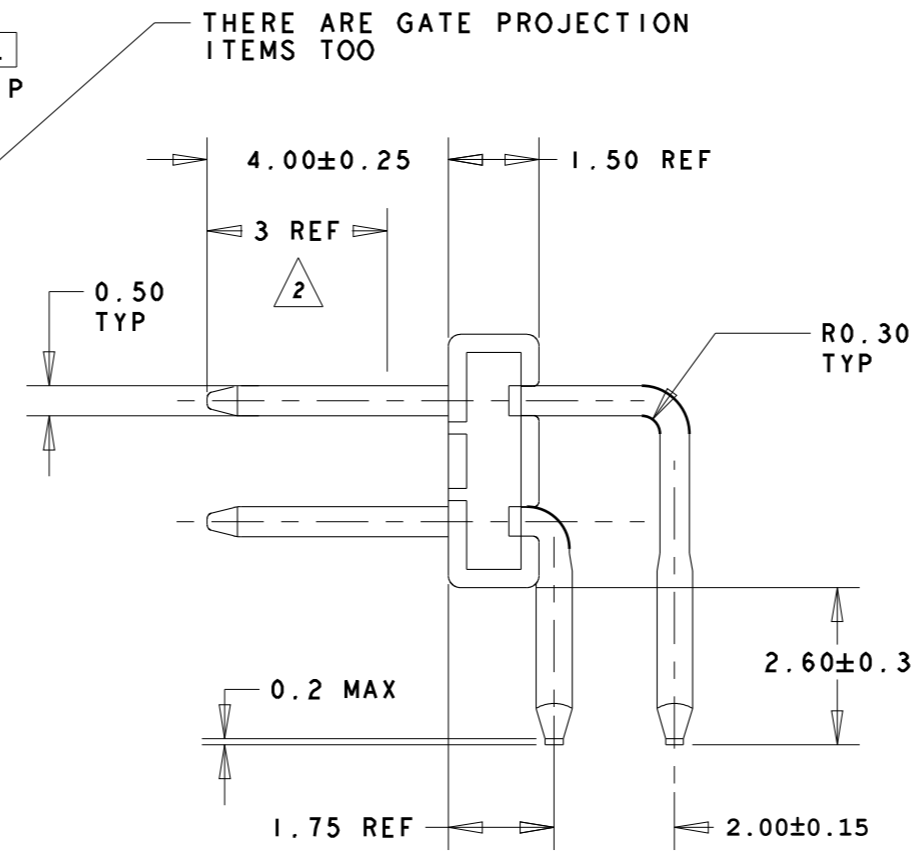
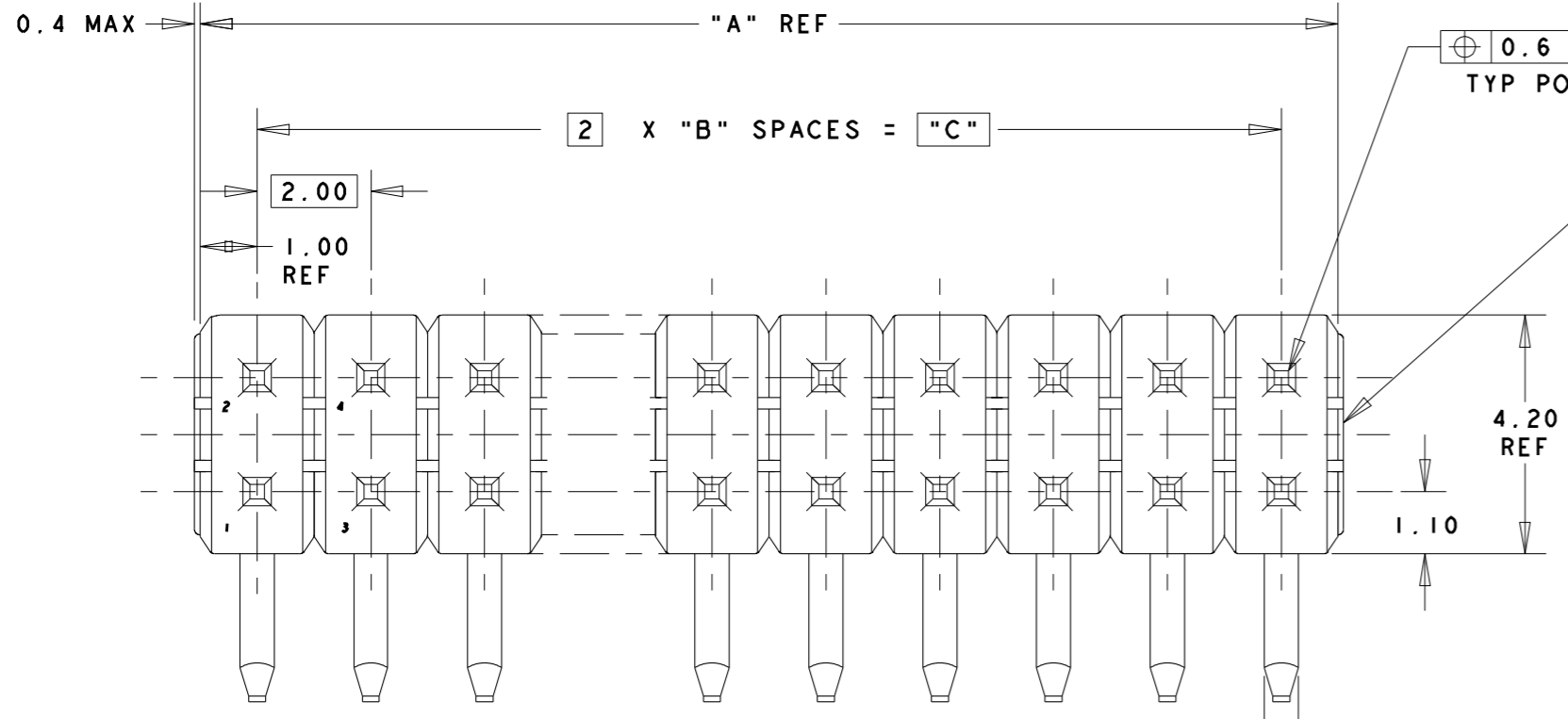
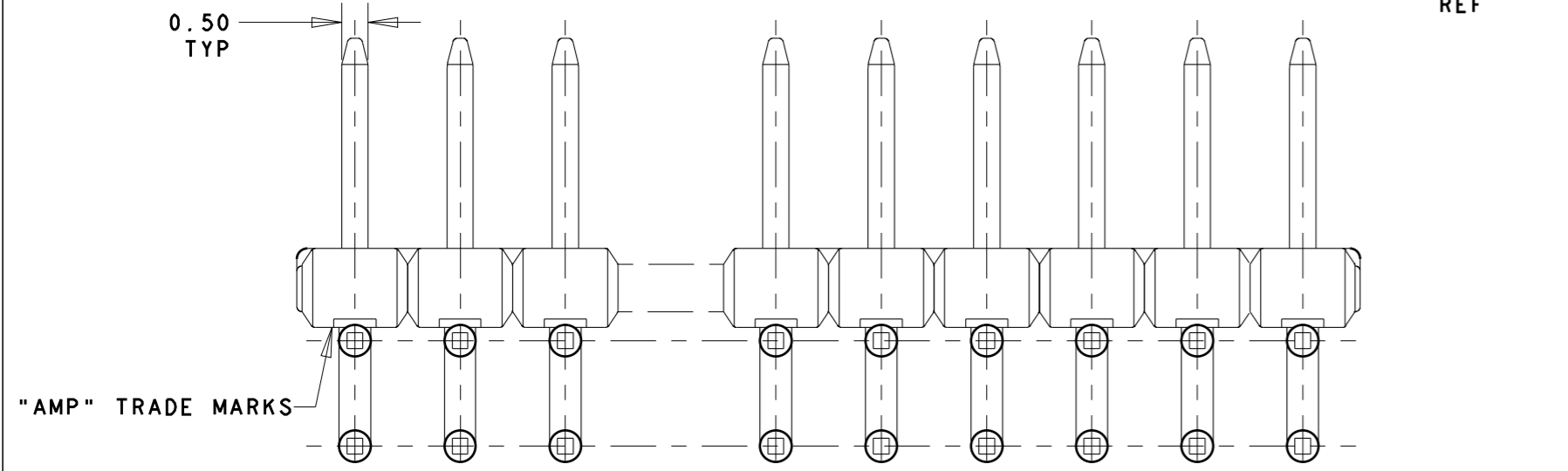


THIS DRAWING IS UNPUBLISHED. RELEASED FOR PUBLICATION .19  
 BY AMP INCORPORATED. ALL RIGHTS RESERVED.

LOC	DIST	REVISIONS			
DESCRIPTION	DATE	DWN	APVD		
DY	-	A1	REVISED PER ECO-15-001759	16FEB2015	NK JO

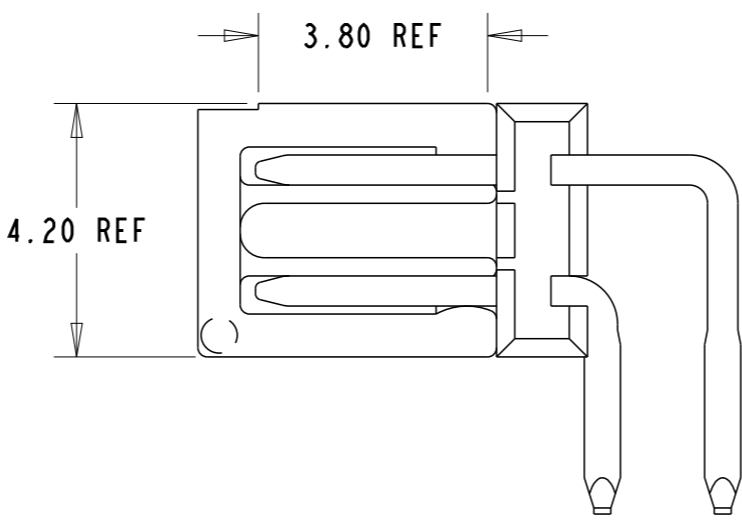
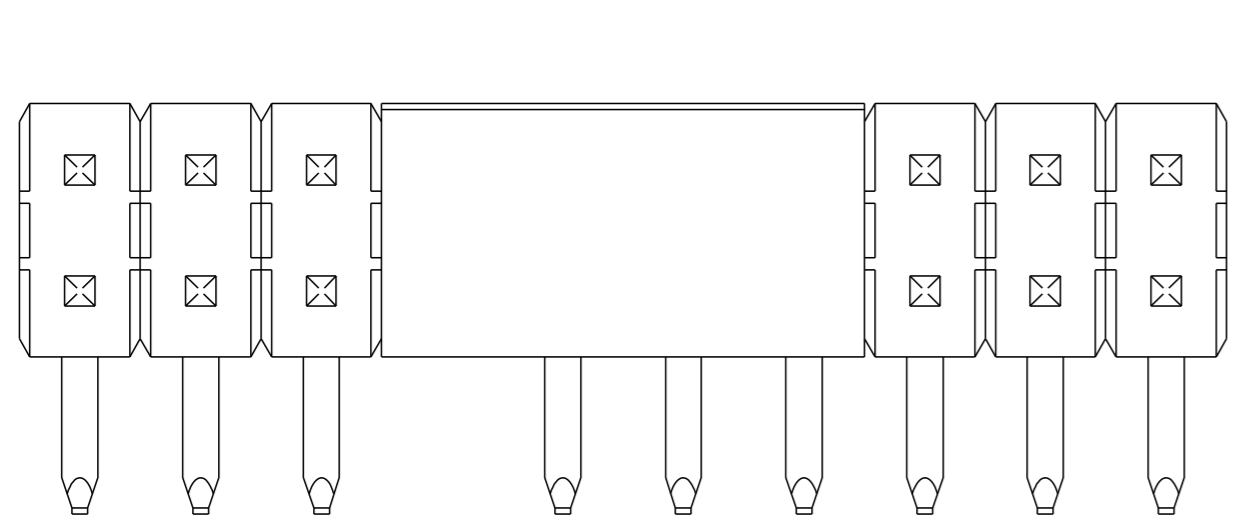
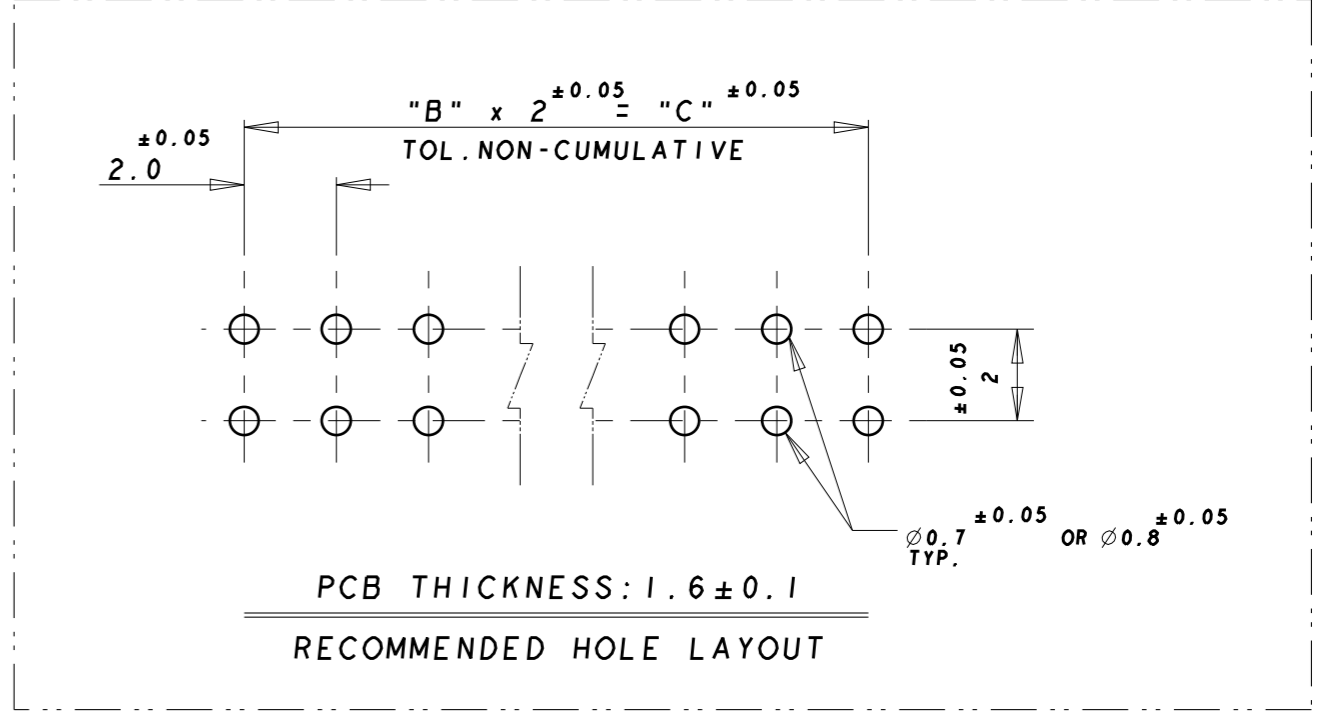
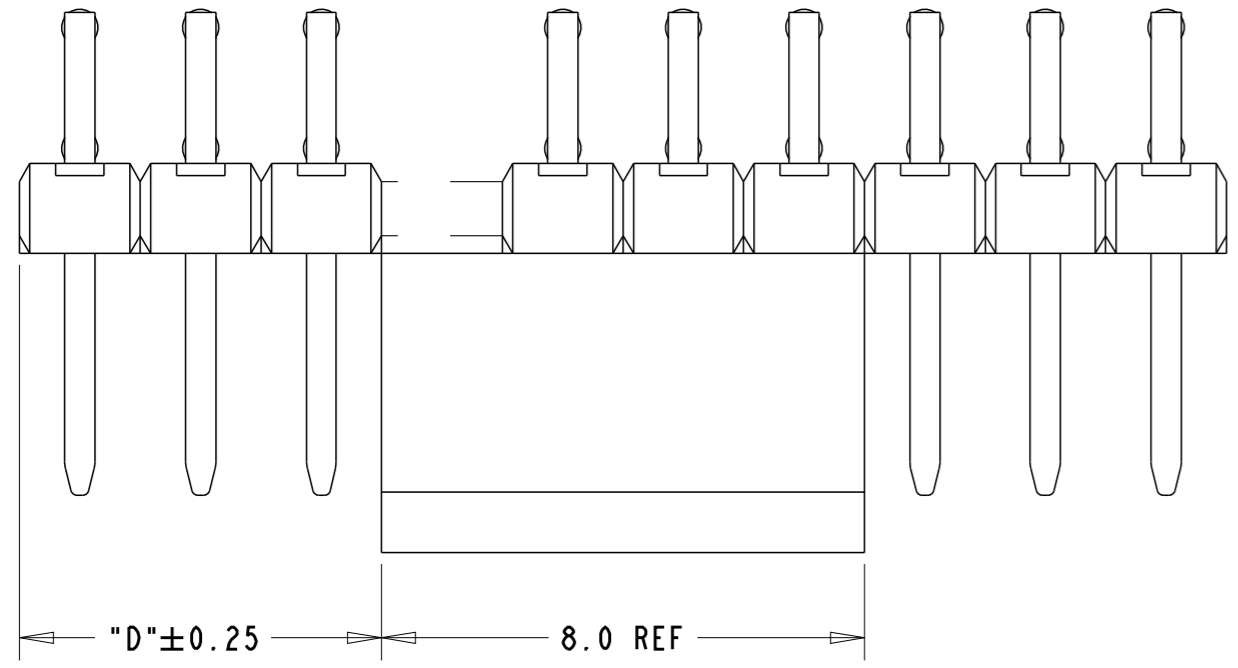


- NOTES:
- 1 MATERIALS:  
 HOUSING : THERMOPLASTIC, HI-TEMP, UL 94V-0, BLACK  
 PICKUP CAP: THERMOPLASTIC, HI-TEMP, UL 94V-0, BLACK  
 POST : COPPER ALLOY
  - 2 FINISH:  
 CONTACT AREA: GOLD 0.0002 MIN. ON  
 NICKEL 0.0013 MIN. ALL OVER  
 POST TINE : MATTE TIN 0.001 MIN.
  - 3 PICKUP CAP IS AT MID-LENGTH OF CONNECTOR.
  - 4 PICKUP CAP IS OFF MID-LENGTH OF CONNECTOR.



AS SHOWN WITHOUT PICKUP CAP FOR CLARITY.

AS SHOWN WITH PICKUP CAP.



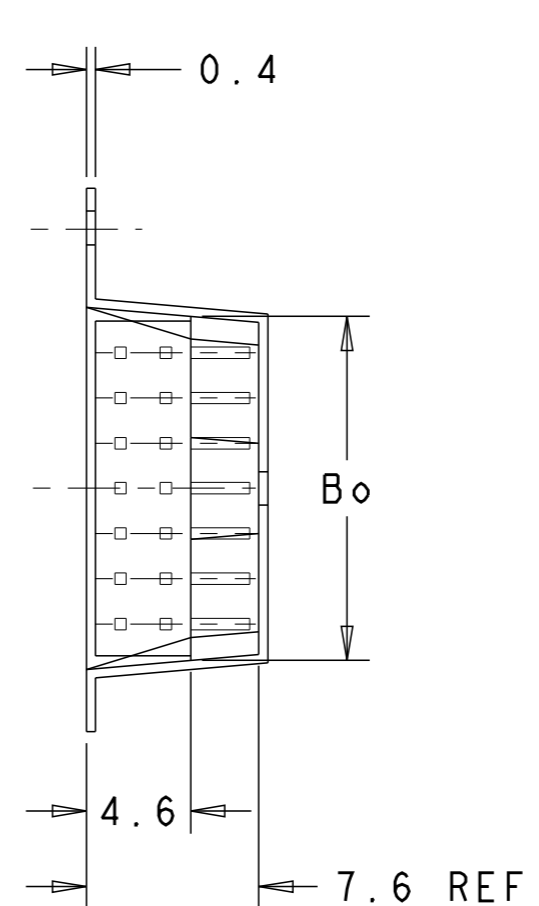
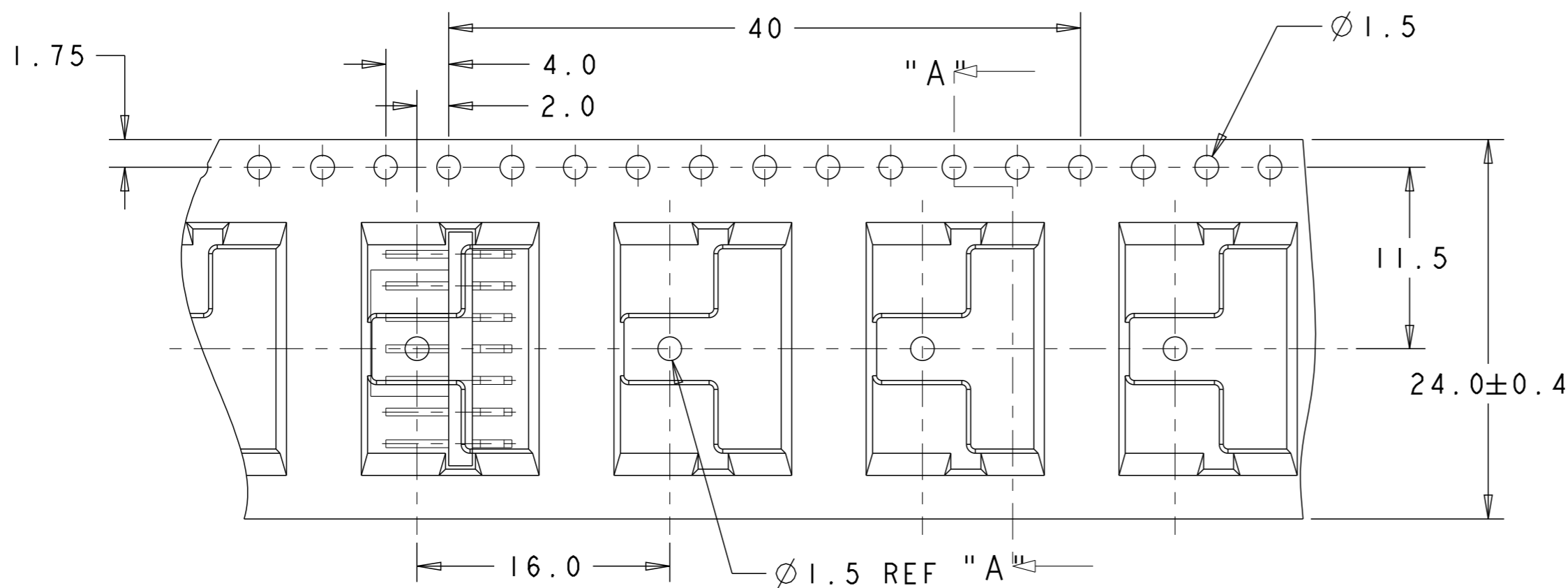
4	2	12	6	14	14	1-1735919-4
3	2	10	5	12	12	1-1735919-2
REMARKS	"D"	"C"	"B"	"A"	NO OF POS	ASSY PN

THIS DRAWING IS A CONTROLLED DOCUMENT FOR AMP INCORPORATED. IT IS SUBJECT TO CHANGE AND THE CONTROLLING ENGINEERING ORGANIZATION SHOULD BE CONTACTED FOR THE LATEST REVISION.

DIMENSIONS:	TOLERANCES UNLESS OTHERWISE SPECIFIED:	DWN	07MAR2005	TE Connectivity Singapore	
mm	0 PLC ±0.25 1 PLC ±0.2 2 PLC ±0.2 3 PLC ± 4 PLC ±	CHK	VINCENT TAN	NAME	
	ANGLES ±3°	APVD	SF LEONG	AMPMODU 2mm PITCH POST HEADER, DOUBLE ROW, HORI. TYPE, L=2.6, HI-TEMP, WITH PICKUP CAP IN TAPE n REEL	
MATERIAL	FINISH	PRODUCT SPEC	-	SIZE	CAGE CODE
1	2	APPLICATION SPEC	-	A2	00779
CUSTOMER DRAWING			WEIGHT	DRAWING NO	C=1735919
				SCALE	SHEET 1 of 2 REV A1

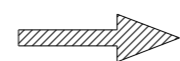
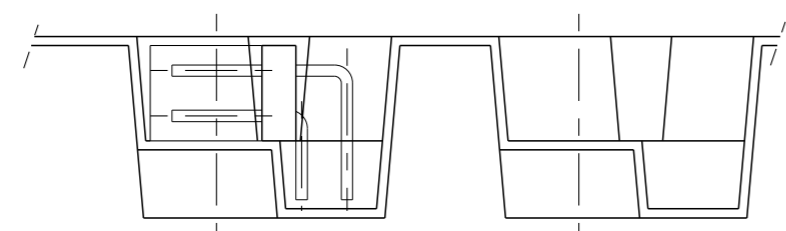
THIS DRAWING IS UNPUBLISHED. RELEASED FOR PUBLICATION .19  
 BY AMP INCORPORATED. ALL RIGHTS RESERVED.

LOC	DIST	REVISIONS			
P	LTR	DESCRIPTION	DATE	DWN	APVD
DY	-	SEE SHEET 1	-	-	-



NOTES

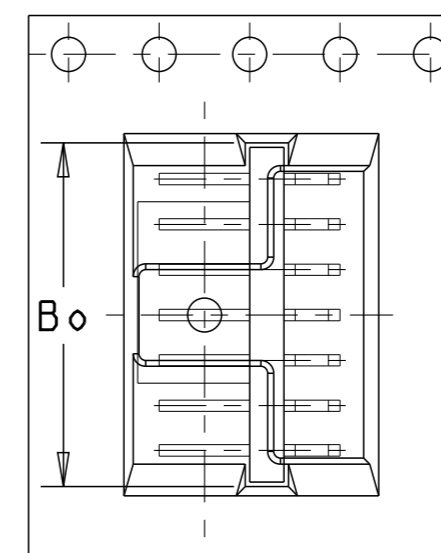
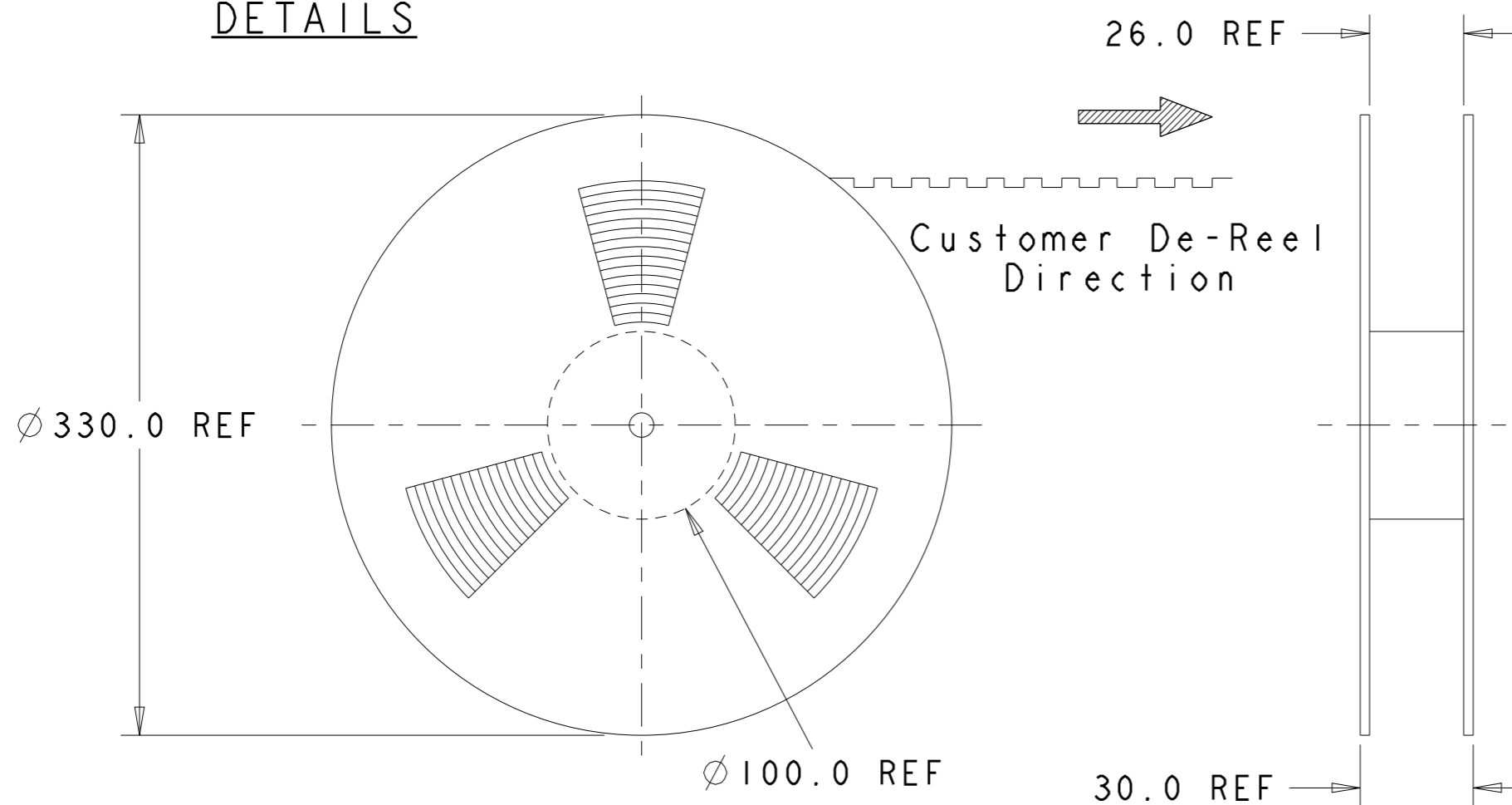
- 11. MATERIALS:  
 CARRIER TAPE : PS, BLACK, STATIC DISSIPATIVE  
 COVER TAPE : PET, CLEAR  
 REEL : PS, WHITE/BLACK, ANTI-STATIC
- 12. 475 POCKETS/REEL; 400 COMPONENTS/REEL



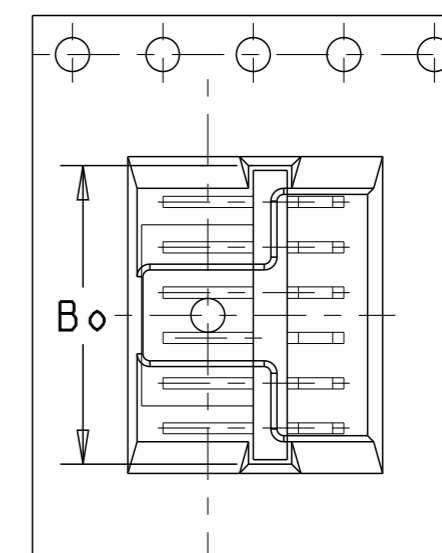
Customer De-reel Direction

SECTION A-A

PLASTIC REEL DETAILS



AS SHOWN FOR PN 1--4



AS SHOWN FOR PN 1--2.

PN 1-1735919-4 AS SHOWN FOR EXAMPLE.

4	15.2	14	1-1735919-4
3	13.2	12	1-1735919-2
REMARKS	"Bo"	NO OF POS	ASSY PN

<small>THIS DRAWING IS A CONTROLLED DOCUMENT FOR AMP INCORPORATED. IT IS SUBJECT TO CHANGE AND THE CONTROLLING ENGINEERING ORGANIZATION SHOULD BE CONTACTED FOR THE LATEST REVISION.</small>		DWN WYLEE 07MAR2005 CHK VINCENT TAN APVD SF LEONG PRODUCT SPEC - APPLICATION SPEC - WEIGHT - CUSTOMER DRAWING	TE Connectivity Singapore NAME AMPMODU 2mm PITCH POST HEADER, DOUBLE ROW, HORI. TYPE, L=2.6, HI-TEMP, WITH PICKUP CAP IN TAPE n REEL SIZE A2 CAGE CODE 00779 DRAWING NO C-1735919
DIMENSIONS: mm 	TOLERANCES UNLESS OTHERWISE SPECIFIED: 0 PLC ±0.25 1 PLC ±0.2 2 PLC ±0.2 3 PLC ± 4 PLC ± ANGLES ±3° FINISH	SCALE - SHEET 2 OF 2 REV A1	

C-1735919

B

A