

529 0791

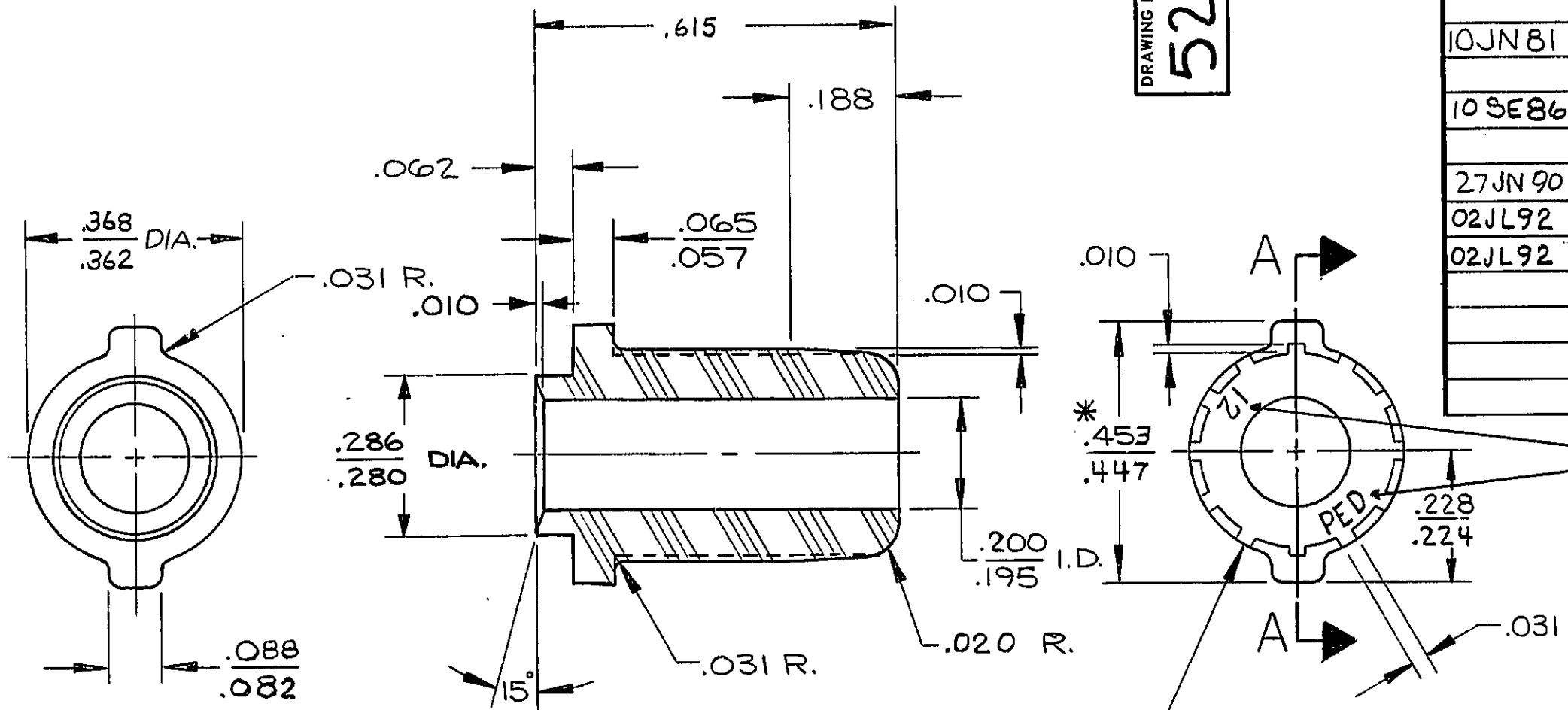
DO NOT SCALE

D NP

DRAWING NO. 529 0791

DATE	SYM.	REVISION RECORD	AUTH	DR.	CK.
8-24-76	-	REVISED METHOD OF DIM. & REDRAWN - REV. LEVEL REMAINS AT "Z"			
			60097	KM	JM
20JA81	-	CODE 6901 & QC-R-4017 ADDED	81004	SM	JM
16FE81	-	MAT'L SPEC. WAS R-67535 & .456/.450 & .228/.225 WERE .454/.450 & .227/.225			
			75395	YL	JK
10JN81	-	REMOVED .268/.260 I.D. AT C'SINK, ADDED .010 DIM.			
			77281	AS	SS
10SE86	-	ADDED * TO .456/.450 DIM. & NOTE			
			109005	SM	RB
27JN90	Z1	MATL WAS NYLON 6/6			
			135410	CDH	CDH
02JL92	AA	REVISED			
			148561	JES	HH
02JL92	AAI	REVISED DIMS. (4 PLCS)			
			150157	JES	HH

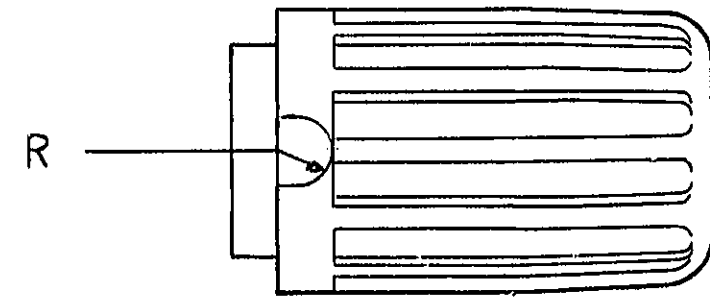
PACKARD ELECTRIC DIVISION
GENERAL MOTORS CORPORATION
WARREN, OHIO



.040 X .004 REF
.006
RAISED LETTERS AS SHOWN

12 RIDGES EQUALLY SPACED. BREAK SHARP EDGES.

* THIS DIMENSION MAY VARY TO .466 DUE TO .010 MAX. GATE PROTRUSION.



ACTUAL SIZE

C02D3693

P. N. C. CODE	
CODE NO. 6901	TOLERANCE UNLESS OTHERWISE SPECIFIED DECIMAL: ±.005
QC - R - 4017	ANGULAR TOL: +/- 2 DEG
DWG. DATE 6-5-48	SCALE 4:1
DR. <i>J. M. ...</i>	DATE 8-24-76
EST. NO.	CK. <i>J. M. ...</i>
REFERENCE NO.	APPR. <i>J. M. ...</i>
	APPR. <i>Rubert</i>
	DATE 8-24-76
MATERIAL SPEC.	
NAME CONNECTOR CAP	
PART NO. 529 0791	SIZE B ₃