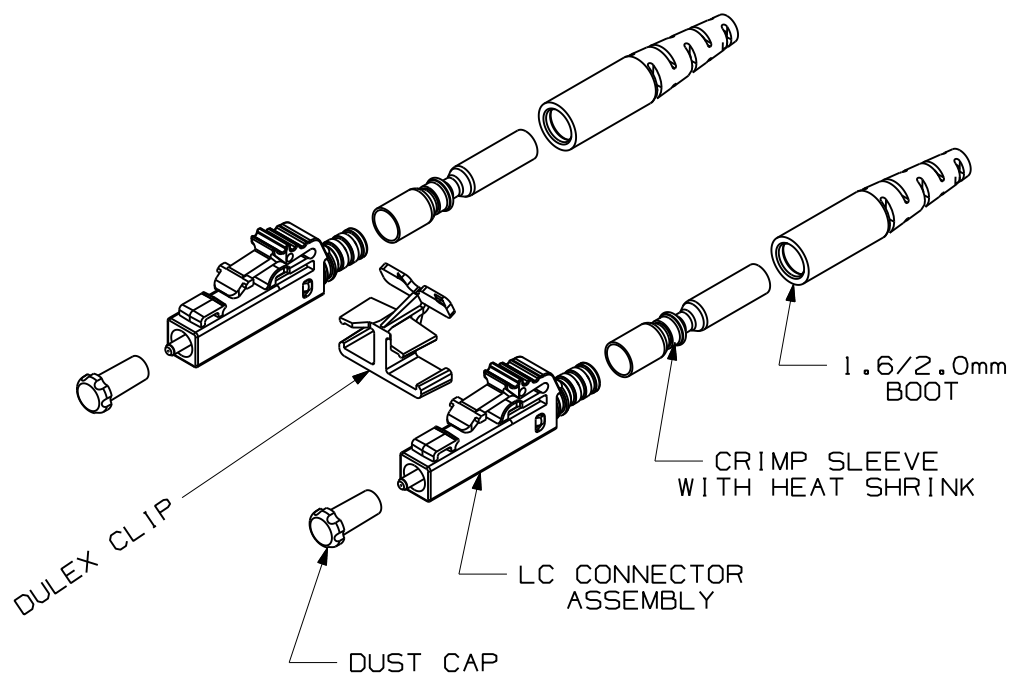


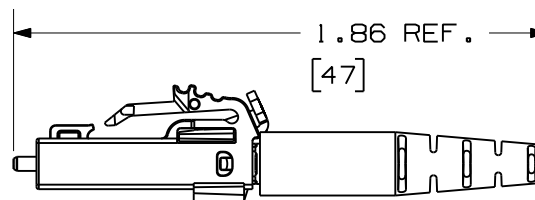
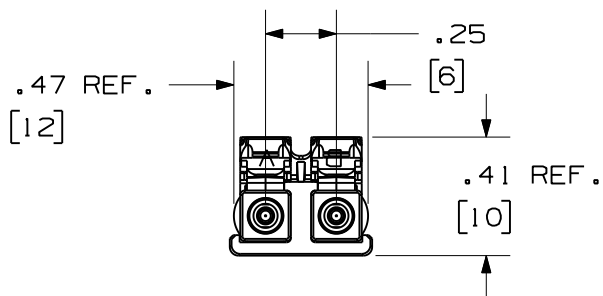
THIS COPY IS PROVIDED ON A RESTRICTED BASIS AND IS NOT TO BE USED IN ANY WAY DETRIMENTAL TO THE INTERESTS OF PANDUIT CORP.



| PANDUIT PART NUMBER | TYPE | FOR USE WITH |
|---------------------|------------|------------------|
| FLCDSBUY | SINGLEMODE | 9/125um FIBER |
| FLCDMBLY | MULTIMODE | 50/125um FIBER |
| FLCDMEIY | MULTIMODE | 62.5/125um FIBER |

NOTES:

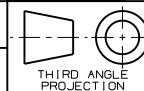
- SEE CATALOG FOR ADDITIONAL PART NUMBER SUFFIXES TO INDICATE COLOR AND/OR PACKAGE QUANTITY.
- ACCEPTS 1.6/2.0mm, 9/125um SINGLEMODE, 50/125um MULTIMODE OR 62.5/125um MULTIMODE GLASS OPTICAL FIBER.
- FULLY COMPLIES WITH THE FIBER OPTIC CONNECTOR PERFORMANCE REQUIREMENTS AS SPECIFIED BY TIA/EIA-568-B.3.
- MATERIAL:
BODY/HARDWARE: PLASTIC
BOOT: THERMOPLASTIC RUBBER
FERRULE: ZIRCONIA CERAMIC
- DIMENSIONS IN BRACKETS ARE METRIC [mm].
- WEIGHT PER 10 PIECES, .069 lb [16.7g]



FIBER OPTIC SINGLEMODE/MULTIMODE
DUPLX LC CONNECTOR
CUSTOMER DRAWING



PANDUIT™
CORP.
TINLEY PARK, ILL 60477



ALL DIMENSIONS ARE GIVEN IN INCHES
UNLESS OTHERWISE SPECIFIED.
DIMENSIONAL TOLERANCES ARE:
(.X) ±.010 (0.3)
(.XX) ±.03 (0.8) ANGLES

DRAWING FILENAME
M01371AA_DC-Y/08A

SCALE
NONE

DRAWN BY
MC

REVIEW DRAWING NUMBERS

PART NO. FLCDSBUY
FLCDMBLY/FLCDMEIY

DATE
03-07-07

DRAWING NO.
01371-48

CHK'D
JDK

SIZE
A

| REV | DATE | BY | CHK | DESCRIPTION | ECN | R | CUST | SUP | OTH |
|-----|----------|----|-----|------------------------|----------|-----|------|-----|-----|
| 2 | 09-01-11 | MC | MTV | RELEASED TO PRODUCTION | 01371-48 | MTV | RWB | | |