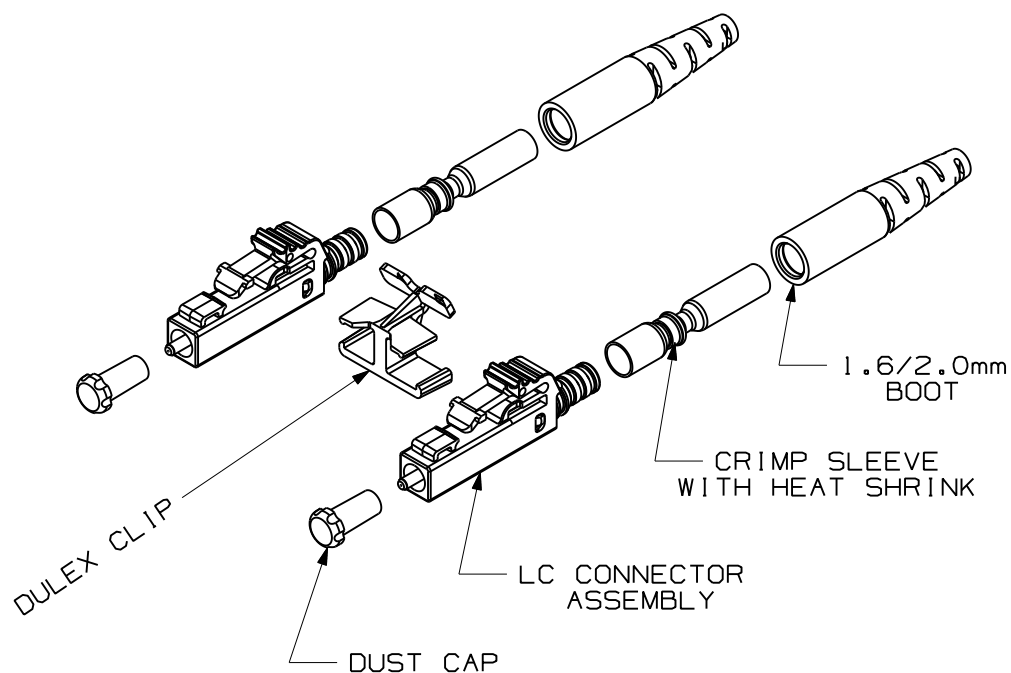


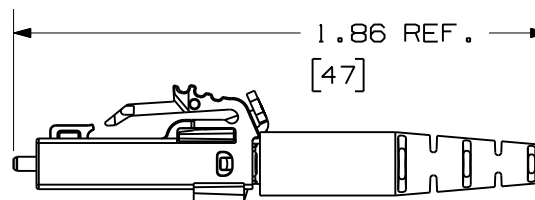
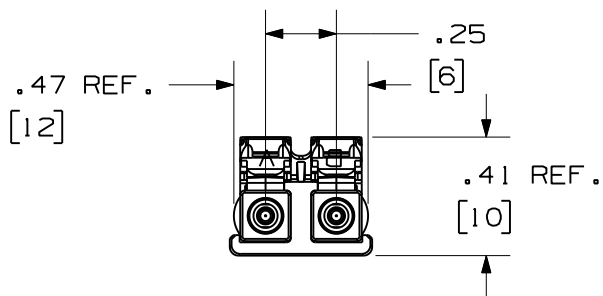
THIS COPY IS PROVIDED ON A RESTRICTED BASIS AND IS NOT TO BE USED IN ANY WAY DETRIMENTAL TO THE INTERESTS OF PANDUIT CORP.



PANDUIT PART NUMBER	TYPE	FOR USE WITH
FLCDSBUY	SINGLEMODE	9/125um FIBER
FLCDMBLY	MULTIMODE	50/125um FIBER
FLCDMEIY	MULTIMODE	62.5/125um FIBER

NOTES:

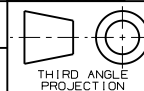
1. SEE CATALOG FOR ADDITIONAL PART NUMBER SUFFIXES TO INDICATE COLOR AND/OR PACKAGE QUANTITY.
2. ACCEPTS 1.6/2.0mm, 9/125um SINGLEMODE, 50/125um MULTIMODE OR 62.5/125um MULTIMODE GLASS OPTICAL FIBER.
3. FULLY COMPLIES WITH THE FIBER OPTIC CONNECTOR PERFORMANCE REQUIREMENTS AS SPECIFIED BY TIA/EIA-568-B.3.
4. MATERIAL:
 BODY/HARDWARE: PLASTIC
 BOOT: THERMOPLASTIC RUBBER
 FERRULE: ZIRCONIA CERAMIC
5. DIMENSIONS IN BRACKETS ARE METRIC [mm].
6. WEIGHT PER 10 PIECES, .069 lb [16.7g]



FIBER OPTIC SINGLEMODE/MULTIMODE
 DUPLEX LC CONNECTOR
 CUSTOMER DRAWING



PANDUIT™
 CORP.
 TINLEY PARK, ILL 60477



ALL DIMENSIONS ARE GIVEN IN INCHES
 UNLESS OTHERWISE SPECIFIED.
 DIMENSIONAL TOLERANCES ARE:
 (.X) ±.010 (0.3)
 (.XX) ±.003 (0.08) ANGLES

DRAWING FILENAME
 M01371AA_DC-Y/08A
 SCALE
 NONE

DRAWN BY
 MC
 DATE
 03-07-07
 CHK'D
 JDK

REVIEW DRAWING NUMBERS

PART NO.
 FLCDSBUY
 FLCDMBLY/FLCDMEIY
 DRAWING NO.
 01371-48
 SIZE
 A

REV	DATE	BY	CHK	DESCRIPTION	ECN	R	CUST	SUP	OTH
2	09-01-11	MC	MTV	RELEASED TO PRODUCTION	01371-48	MTV	RWB		