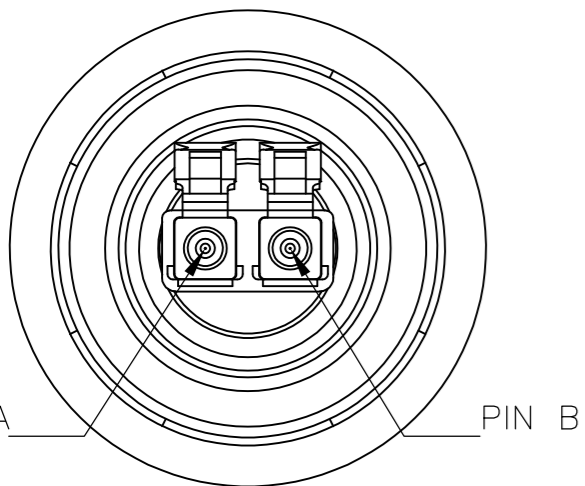
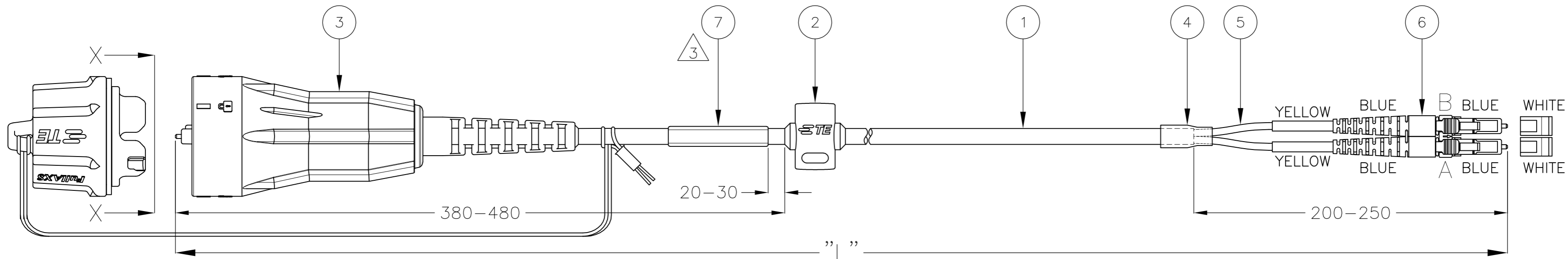


THIS DRAWING IS UNPUBLISHED. RELEASED FOR PUBLICATION
 © COPYRIGHT - By - ALL RIGHTS RESERVED.

REVISIONS				
P	LTR	DESCRIPTION	DATE	APVD
B		ECR-17-008525	13JUN2017	HZ RS



VIEW X-X
(DUST CAPS NOT SHOWN)

ASSEMBLY CONNECTIVITY	
FULLAXS LC	LC CONN.
PIN A	B
PIN B	A

STANDARD LENGTHS ACCORDING TO CUSTOMER DRAWING 1206850	
PART NUMBER	"L" (meter)
X-2061432-Y	XY.0
9-2061432-9	100.0 -0/+3.0
9-2061432-8	150.0 -0/+3.0
9-2061432-7	200.0 -0/+3.0
9-2061432-6	250.0 -0/+3.0
9-2061432-5	300.0 -0/+3.0
9-2061432-1	500.0 -0/+3.0
8-2061432-1	350.0 -0/+3.0
8-2061432-2	450.0 -0/+3.0

NOTES:

- MAX. CONNECTOR ATTENUATION 0.3 dB, MEASURED AT 1310 nm AND 1550 nm ACCORDING TO I.E.C. 61300-3-4 INSERTION METHOD B
- MIN. RETURN LOSS 45 dB, IN MATED CONDITION AGAINST REFERENCE CONNECTOR AT 1310 nm AND 1550 nm
- INFORMATION ON LABEL, SEE DETAIL FOR EXAMPLE
 - BARCODE
 - UNIQUE TE SERIAL NUMBER
 - ASSEMBLY LENGTH
 - TE CONNECTIVITY PART NUMBER & ORDER NUMBER
- CABLE INFORMATION:
 - CORE DIAMETER: 9/125 μm (2x)
 - OUTER JACKET DIAMETER: 4.8 mm
 - OUTER JACKET COLOUR: BLACK
 - OUTER JACKET MATERIAL: HALOGEN FREE FLAME RETARDANT
 - CABLE ATTENUATION: 0.40 dB/km @ 1310 nm OR 0.25 dB/km @ 1550 nm

Qty	Description	Item
1	INFORMATION LABEL	7
1	LC DUPLEX CONNECTOR, SINGLE MODE, BLUE	6
2	PROTECTIVE TUBING, BLACK	5
1	HEAT SHRINK TUBING, BLACK	4
1	FULLAXS OVERMOLDED LC DUPLEX PLUG ASSEMBLY, SM, BLACK	3
1	FULLAXS OVERMOLDED DROP PROTECTION, BLACK	2
L	FOCAB Ø4.8 mm, 2FOLD, SINGLE MODE G657A2, BLACK	1

△ LABEL DETAIL:



THIS DRAWING IS A CONTROLLED DOCUMENT.		DWN R. COOLEN 11JUN2010	TE Connectivity	
DIMENSIONS: mm		CHK S. BORGAS 15JAN2013		
TOLERANCES UNLESS OTHERWISE SPECIFIED:		APVD A. HENGELMOLEN 15JAN2013	NAME	
0 PLC ± -		PRODUCT SPEC	FIBER OPTIC LEAD 4.8 mm	
1 PLC ± -		108-19447	FULLAXS LC/DPX - LC/DPX	
2 PLC ± -		APPLICATION SPEC	SINGLE MODE G657.A2	
3 PLC ± -		114-32032	SIZE	CAGE CODE
4 PLC ± -		WEIGHT 0.000000	A2	00779
ANGLES ± -		CUSTOMER DRAWING	DRAWING NO. C=2061432	
FINISH		SCALE NTS		SHEET 1 of 1
		REV B		