

DBL5W5P700G30LF

REFERENCE SPECIFICATIONS

-NFC 93425 (in compliance with HE 507)

PHYSICAL CHARACTERISTICS

- INSULATOR MATERIAL: THERMOPLASTIC ,UL94V0
- CONTACT MATERIAL: BRASS
- ACCESSORIES: BRASS
- SHELLS: STEEL

ELECTRICAL CHARACTERISTICS

- NOMINAL CURRENT: 30A
- CONTACT RESISTANCE: <= 7.3 m ohms
- CONTACT/CONTACT : >=1000 V
- CONTACT/GROUND : >=1200 V
- INSULATION RESISTANCE: >=5000 MOhms

ENVIRONMENTAL CHARACTERISTICS

- CLIMATIC CATEGORY: 55/125/21
- TEMPERATURE RANGE -55°C TO +125°C
- DAMP HEAT STEADY STATE 21 DAYS
- SALT SPRAY 24 HOURS

MECHANICAL CHARACTERISTICS

- RETENTION AGAINST TORQUE: - Threaded insert: 0.7 N.m minimum
- Female screw : 0.5 N.m minimum

Series

Shell size: **E A B C**
see sheet 3

Front accessory definition
see sheet 2

- blank** :without accessory
- L** :threaded insert M3
- O** :threaded insert UNC 4-40
- V** :female screw UNC 4-40

Layout of contacts (see sheets)

Contacts

P :Pin

Termination type
7 Right angle/USA

Plating
00 200 matings/unmatings
43 500 matings/unmatings

PCB accessories definition
see sheet 2

- A** :without accessory
- H** :Metal brackets+harpoons for PCB 2.40mm
- G** :Metal brackets+harpoons for PCB 1.60mm
- M** :Metal brackets

Power contacts
00 :Not fitted with power contact (signal contacts always fitted)
30 :Fitted with power contacts 30 Amp.

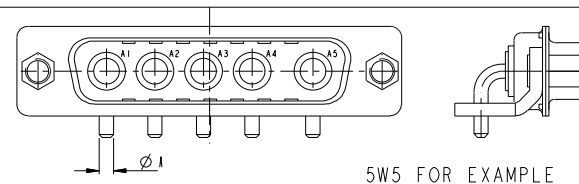
See note RoHS

NOTE RoHS INFORMATION

- The "LF" products meet european union Directives and other country regulations as described in GS-22-008.
- The housing will withstand exposure to 260°C peak temperature for 3.5 seconds in a wave solder application with a 1.6mm minimum thick circuit board. See application notes/procedures if they are available.
- Termination plating spec:
 - Ni 1.27µm+Sn 2.5 to 7.5µm(pure bright)
- Active area plating spec:
 - Ni + Gold
 - Shell plating :2 to 4µm Cu + Ni + 3 to 10µm Sn(pure bright)
 - Accessories: Sn pure bright + nickel
- Packaging spec: See GS-14-920

TABLE 1:PCB HOLE DIAMETERS

	POWER CONTACTS		ACCESSORIES
30 A	∅2.00	∅2.40	∅3.10
Max current power	∅A +0.1 0	PCB HOLE +/-0.1	PCB HOLE +/-0.1

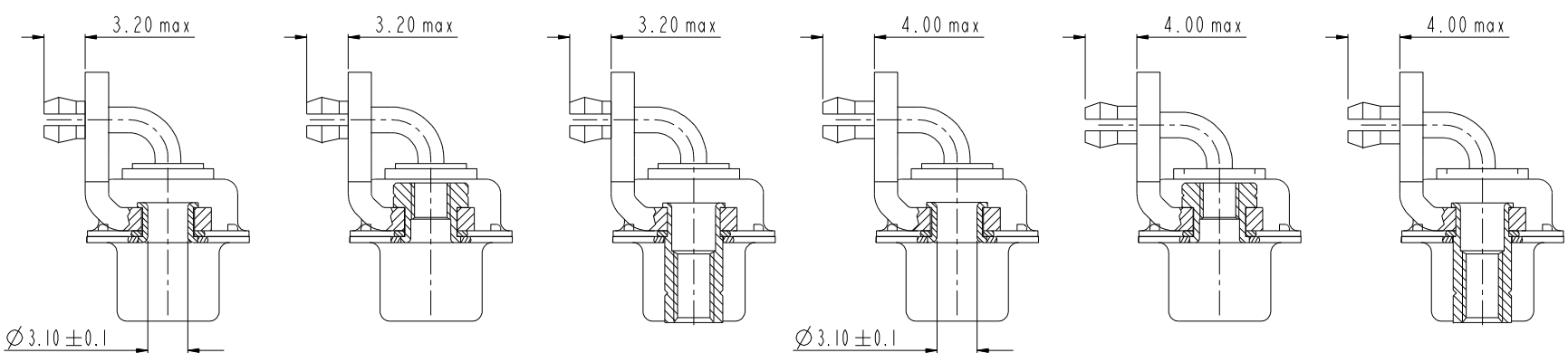


www.fciconnect.com		surface	tolerance std	projection	mm
		ISO 1302	ISO 406 ISO 1101		
TOLERANCES UNLESS OTHERWISE SPECIFIED					
Dr	M PESSON	2005-10-11	ANGULAR	0.X ±0.3	size A2
Eng	P LEGARE	2005-10-11	LINEAR	0.XX ±0.1	Scale 2:1
Chr			0° ±2°	0.XXX ±0.05	ECN F09-0092
Appr			Product family		Spec ref

rev	ecn no	dr	date	title	part no	Rev.
A	LS05-0113	WPE	2005-10-11	SUB MALE DW US foot print	C01-8639-2313	D
B	LS06-0208	LGO	2006-12-13	full power right angled solder		
C	LS07-0273	WPE	2007/11/05			
D	F09-0092	LSA	2009/09/16			



FRONT ACCESSORY	Blank Without	L insert M3 O insert UNC 4.40	V insert UNC 4.40	Blank Without	L insert M3 O insert UNC 4.40	V insert UNC 4.40
PCB ACCESSORIES	A Without	A Without	A Without	M Metal brackets	M Metal brackets	M Metal bracket



FRONT ACCESSORY	Blank Without	L insert M3 O insert UNC 4.40	V insert UNC 4.40	Blank Without	L insert M3 O insert UNC 4.40	V insert UNC 4.40
PCB ACCESSORIES	G Metal brackets + harpoons for PCB 1.60mm	G Metal brackets + harpoons for PCB 1.60mm	G Metal brackets + harpoons for PCB 1.60mm	H Metal brackets + harpoons for PCB 2.40mm	H Metal brackets + harpoons for PCB 2.40mm	H Metal brackets + harpoons for PCB 2.40mm

www.fciconnect.com		surface ISO 1302	tolerance std ISO 406 ISO 1101	projection mm
TOLERANCES UNLESS OTHERWISE SPECIFIED				
Dr	M PESSON	2005-10-11	ANGULAR	size A2
Eng	P LEGARE	2005-10-11	LINEAR	Scale 2:1
Chr			0° ±2°	ECN F09-0092
Appr			Product family	Spec ref

FCI	part no	Rev.
DESCRIPTION	C01-8639-2313	D
full power right angled solder		

SCALE: 4

I 2 3 4 5 6 7 8

A
B
C
D
E
F

A
B
C
D
E
F

PART NUMBER	AMPS	MATINGS/ UNMATINGS	FRONT ACCESSORY	PCB ACCESSORIES
D*xWxP700A30LF	30	200	without	without
D*LxWxP700A30LF	30	200	insert M3	without
D*OxWxP700A30LF	30	200	insert UNC 4.40	without
D*VxWxP700A30LF	30	200	female screw UNC 4.40	without
D*xWxP700H30LF	30	200	without	metal bracket+harpoon PCB 2.40mm
D*LxWxP700H30LF	30	200	insert M3	metal bracket+harpoon PCB 2.40mm
D*OxWxP700H30LF	30	200	insert UNC 4.40	metal bracket+harpoon PCB 2.40mm
D*VxWxP700H30LF	30	200	female screw UNC 4.40	metal bracket+harpoon PCB 2.40mm
D*xWxP700G30LF	30	200	without	metal bracket+harpoon PCB 1.60mm
D*LxWxP700G30LF	30	200	insert M3	metal bracket+harpoon PCB 1.60mm
D*OxWxP700G30LF	30	200	insert UNC 4.40	metal bracket+harpoon PCB 1.60mm
D*VxWxP700G30LF	30	200	female screw UNC 4.40	metal bracket+harpoon PCB 1.60mm
D*xWxP700M30LF	30	200	without	metal bracket
D*LxWxP700M30LF	30	200	insert M3	metal bracket
D*OxWxP700M30LF	30	200	insert UNC 4.40	metal bracket
D*VxWxP700M30LF	30	200	female screw UNC 4.40	metal bracket

shell size * LAYOUTS
xWx

E 2V2
A 3V3
A 3W3
B 5W5
C 8W8

PART NUMBER	AMPS	MATINGS/ UNMATINGS	FRONT ACCESSORY	PCB ACCESSORIES
D*xWxP743A30LF	30	500	without	without
D*LxWxP743A30LF	30	500	insert M3	without
D*OxWxP743A30LF	30	500	insert UNC 4.40	without
D*VxWxP743A30LF	30	500	female screw UNC 4.40	without
D*xWxP743H30LF	30	500	without	metal bracket+harpoon PCB 2.40mm
D*LxWxP743H30LF	30	500	insert M3	metal bracket+harpoon PCB 2.40mm
D*OxWxP743H30LF	30	500	insert UNC 4.40	metal bracket+harpoon PCB 2.40mm
D*VxWxP743H30LF	30	500	female screw UNC 4.40	metal bracket+harpoon PCB 2.40mm
D*xWxP743G30LF	30	500	without	metal bracket+harpoon PCB 1.60mm
D*LxWxP743G30LF	30	500	insert M3	metal bracket+harpoon PCB 1.60mm
D*OxWxP743G30LF	30	500	insert UNC 4.40	metal bracket+harpoon PCB 1.60mm
D*VxWxP743G30LF	30	500	female screw UNC 4.40	metal bracket+harpoon PCB 1.60mm
D*xWxP743M30LF	30	500	without	metal bracket
D*LxWxP743M30LF	30	500	insert M3	metal bracket
D*OxWxP743M30LF	30	500	insert UNC 4.40	metal bracket
D*VxWxP743M30LF	30	500	female screw UNC 4.40	metal bracket

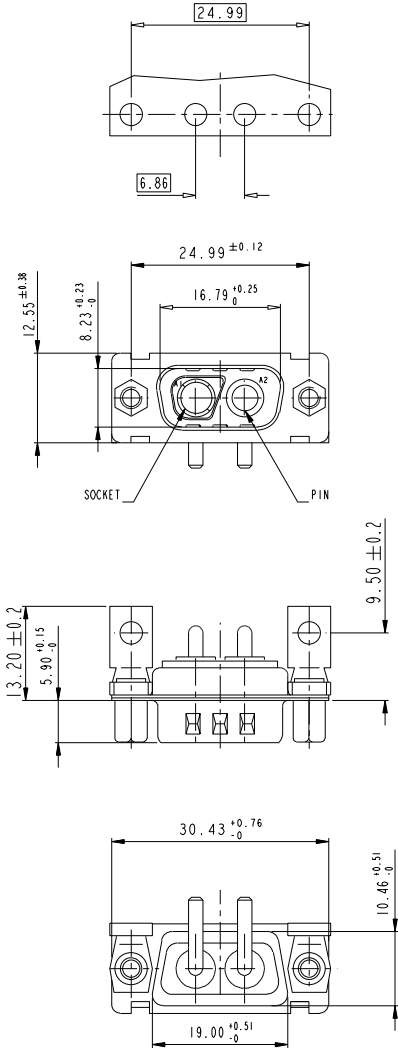


www.fciconnect.com		surface ISO 1302	tolerance std ISO 406 ISO 1101	projection mm
TOLERANCES UNLESS OTHERWISE SPECIFIED				
Dr	M PESSON	2005-10-11	ANGULAR	size A2
Eng	P LEGARE	2005-10-11	LINEAR	Scale 2:1
Chr			0° ±2°	ECN F09-0092
Appr			Product family	Spec ref

FCI	TITLE	Sub MALE DW US foot print	Part no	C01-8639-2313	Rev.	D
		full power right angled solder				

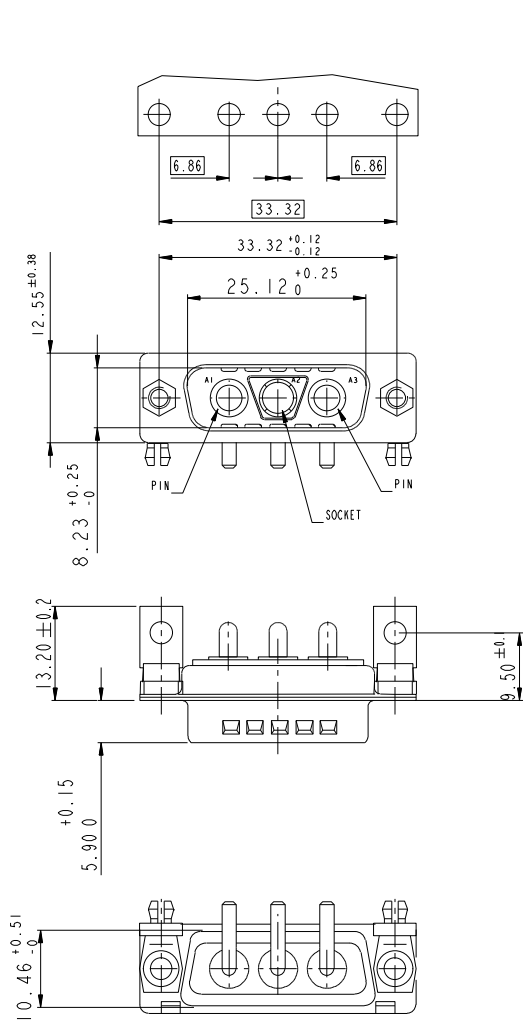
2V2

LAYOUT AND CONNECTOR DIMENSIONS
For PCB hole diameters see table 1 sheet 1



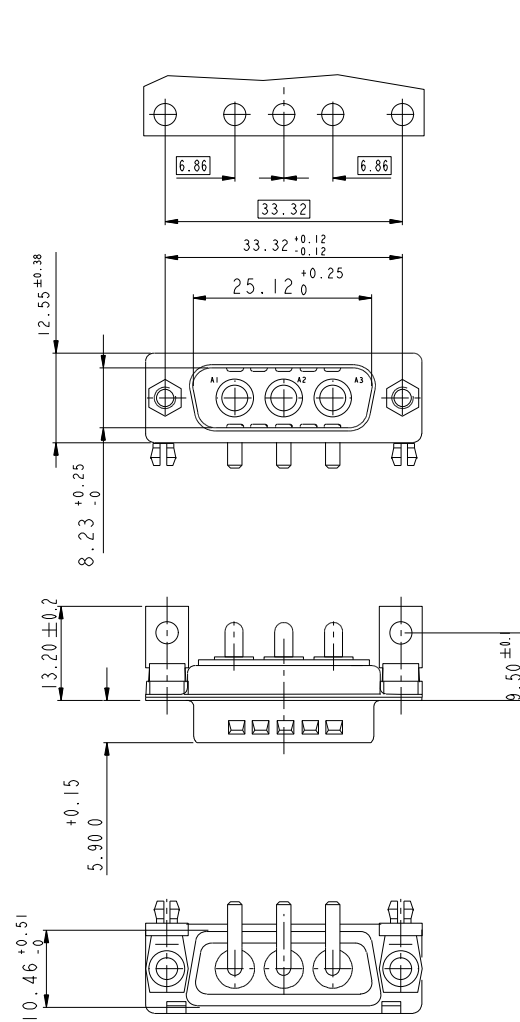
3V3

LAYOUT AND CONNECTOR DIMENSIONS
For PCB hole diameters see table 1 sheet 1

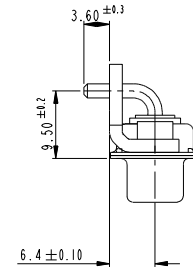


3W3

LAYOUT AND CONNECTOR DIMENSIONS
For PCB hole diameters see table 1 sheet 1



SIDE VIEW FOR ALL LAYOUTS



www.fciconnect.com		surface ISO 1302	tolerance std ISO 406 ISO 1101	projection mm
TOLERANCES UNLESS OTHERWISE SPECIFIED				
Dr	M PESSON	2005-10-11	ANGULAR	size A2
Eng	P LEGARE	2005-10-11	LINEAR	Scale 2:1
Chr			0° ± 2°	ECN F09-0092
Appr			Product family	Spec ref

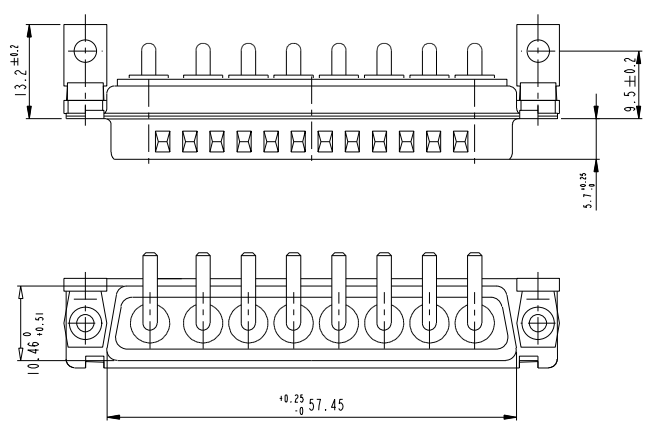
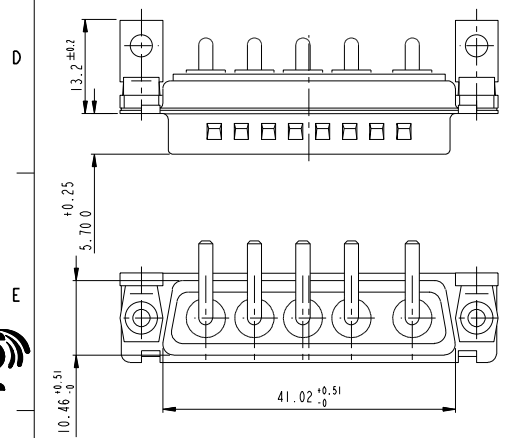
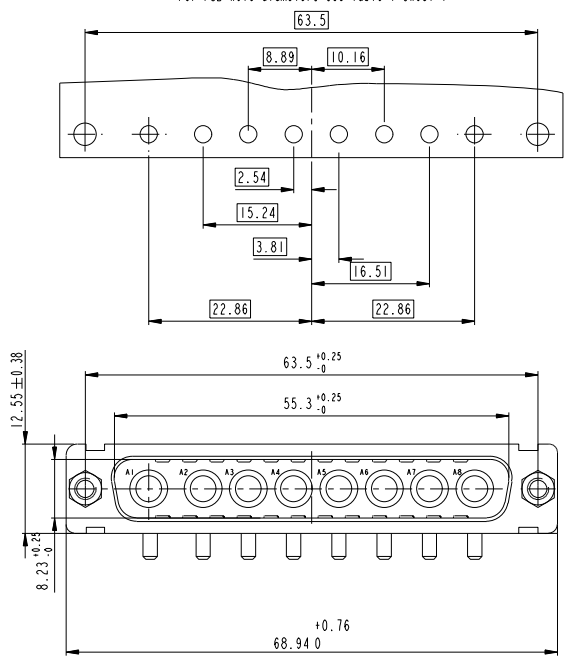
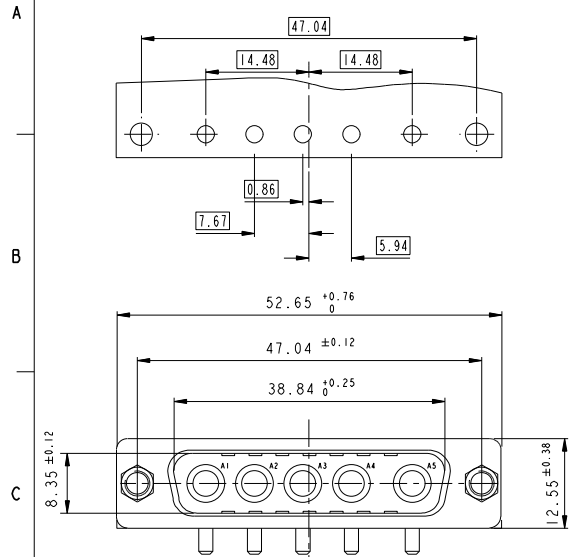
FCI	TITLE	SUB MALE DW US foot print	ang no	C01-8639-2313	Rev.
		full power right angled solder			D

5W5

LAYOUT AND CONNECTOR DIMENSIONS
For PCB hole diameters see table 1 sheet 1

8W8

LAYOUT AND CONNECTOR DIMENSIONS
For PCB hole diameters see table 1 sheet 1



Copyright FCI. FCI

www.fciconnect.com		surface ISO 1302	tolerance std ISO 406 ISO 1101	projection mm
TOLERANCES UNLESS OTHERWISE SPECIFIED				
Dr	M PESSON	2005-10-11	ANGULAR	0.X ±0.3
Eng	P LEGARE	2005-10-11	LINEAR	0.XXX ±0.1
Chr			0° ±2°	0.XXX ±0.05
Appr			Product family	Spec ref

FCI	TITLE	SUB MALE DW US foot print	ang no	C01-8639-2313	Rev.	D
		full power right angled solder				