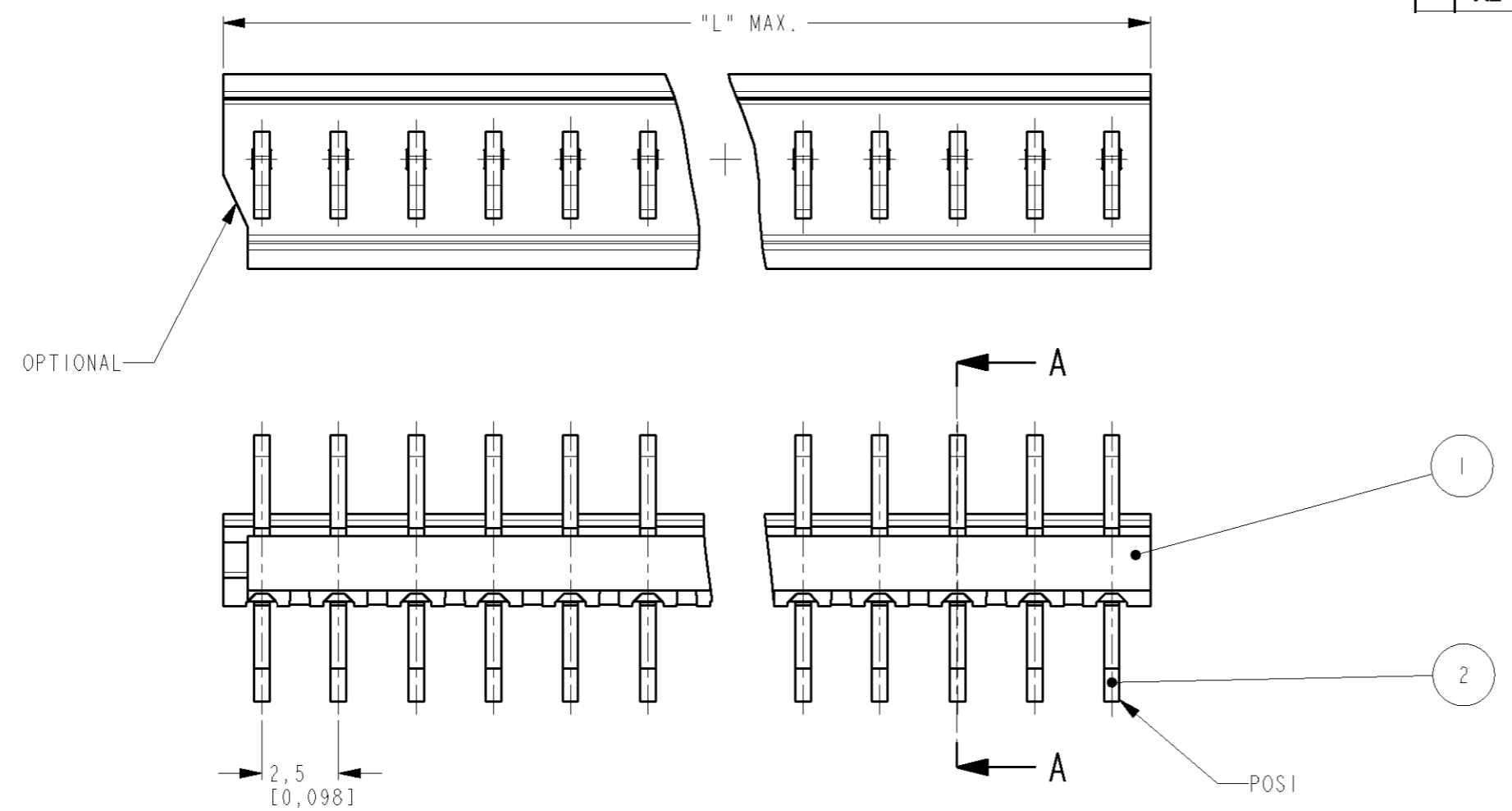


THIS DRAWING IS UNPUBLISHED. RELEASED FOR PUBLICATION
 © COPYRIGHT ALL RIGHTS RESERVED.

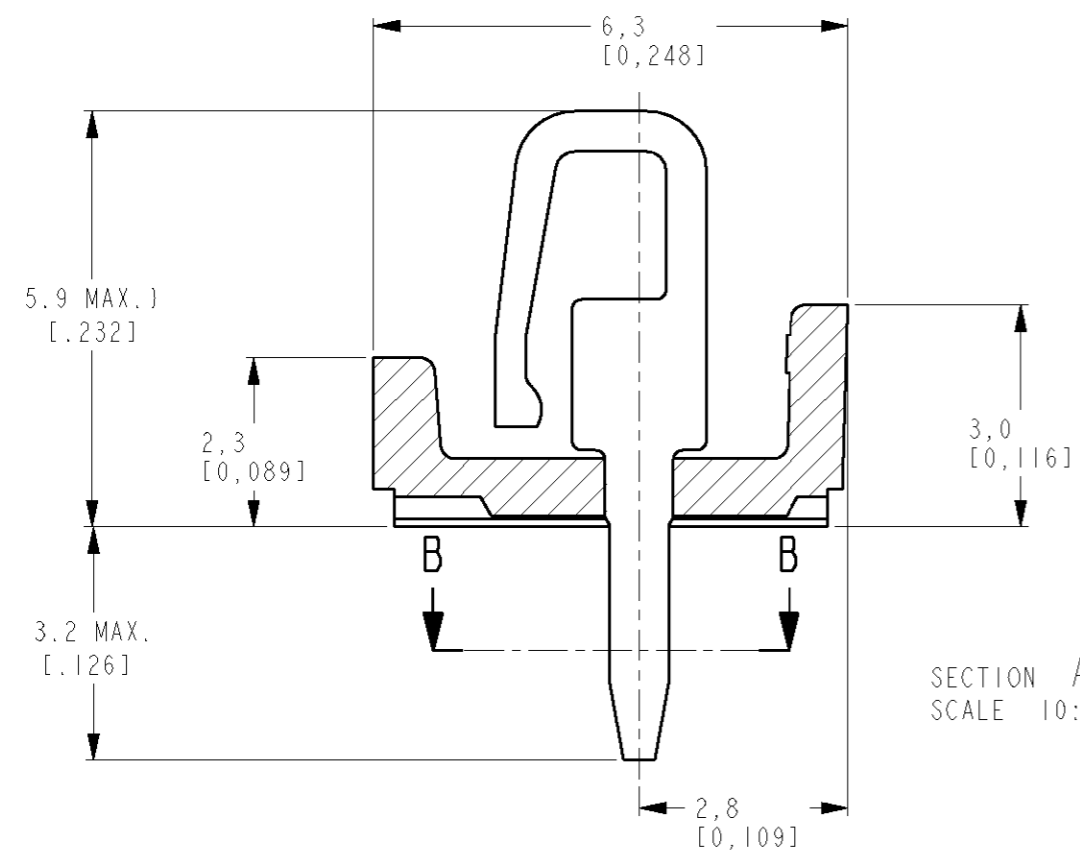
LOC	DIST	REVISIONS			
P	LTR	DESCRIPTION	DATE	DWN	APVD
H	-	A2 REVISED PER ECO-11-005294	19APR11	RK	HMR



PARTNUMBER	POS	"L" MAX	
		MM	INCH
0-5164713-3	3	7.5	.295
0-5164713-4	4	10.0	.394
0-5164713-5	5	12.5	.492
0-5164713-6	6	15.0	.591
0-5164713-7	7	17.5	.689
0-5164713-8	8	20.0	.787
0-5164713-9	9	22.5	.886
1-5164713-0	10	25.0	.984
1-5164713-1	11	27.5	1.083
1-5164713-2	12	30.0	1.181
1-5164713-3	13	32.5	1.280
1-5164713-4	14	35.0	1.378
1-5164713-5	15	37.5	1.476
1-5164713-6	16	40.0	1.575
1-5164713-7	17	42.5	1.673
1-5164713-8	18	45.0	1.772
1-5164713-9	19	47.5	1.870
2-5164713-0	20	50.0	1.969

OBSOLETE

1 OBSOLETE PARTS: OBSOLETE CIS STREAMLINING PER D.RENAUD/D.SINISI



DIMENSIONS:	TOLERANCES UNLESS OTHERWISE SPECIFIED:
mm (inch)	
0 PLC	±-
1 PLC	±-
2 PLC	±-
3 PLC	±-
4 PLC	±-
ANGLES	±-
MATERIAL	FINISH

2	CONTACT	BRASS	TIN OVER NICKEL		
1	HOUSING	PBT 20% GF, COLOR GREEN			
ITEM NO.	DESCRIPTION	MATERIAL	FINISH		
DWN	09 MAR 05	TE Connectivity			
CHR	M.GOSSELINK				
APVD	F.FELJENS				
PRODUCT SPEC	108-19027				
APPLICATION SPEC		NAME MINI-MATCH CONNECTOR ASS'Y 3-20 POS 2.5 MM PITCH			
WEIGHT	-	SIZE	CAGE CODE	DRAWING NO	RESTRICTED TO
		A3	00779	C=5164713	-
CUSTOMER DRAWING		SCALE	SHEET	OF	REV
		5:1	1	1	A2