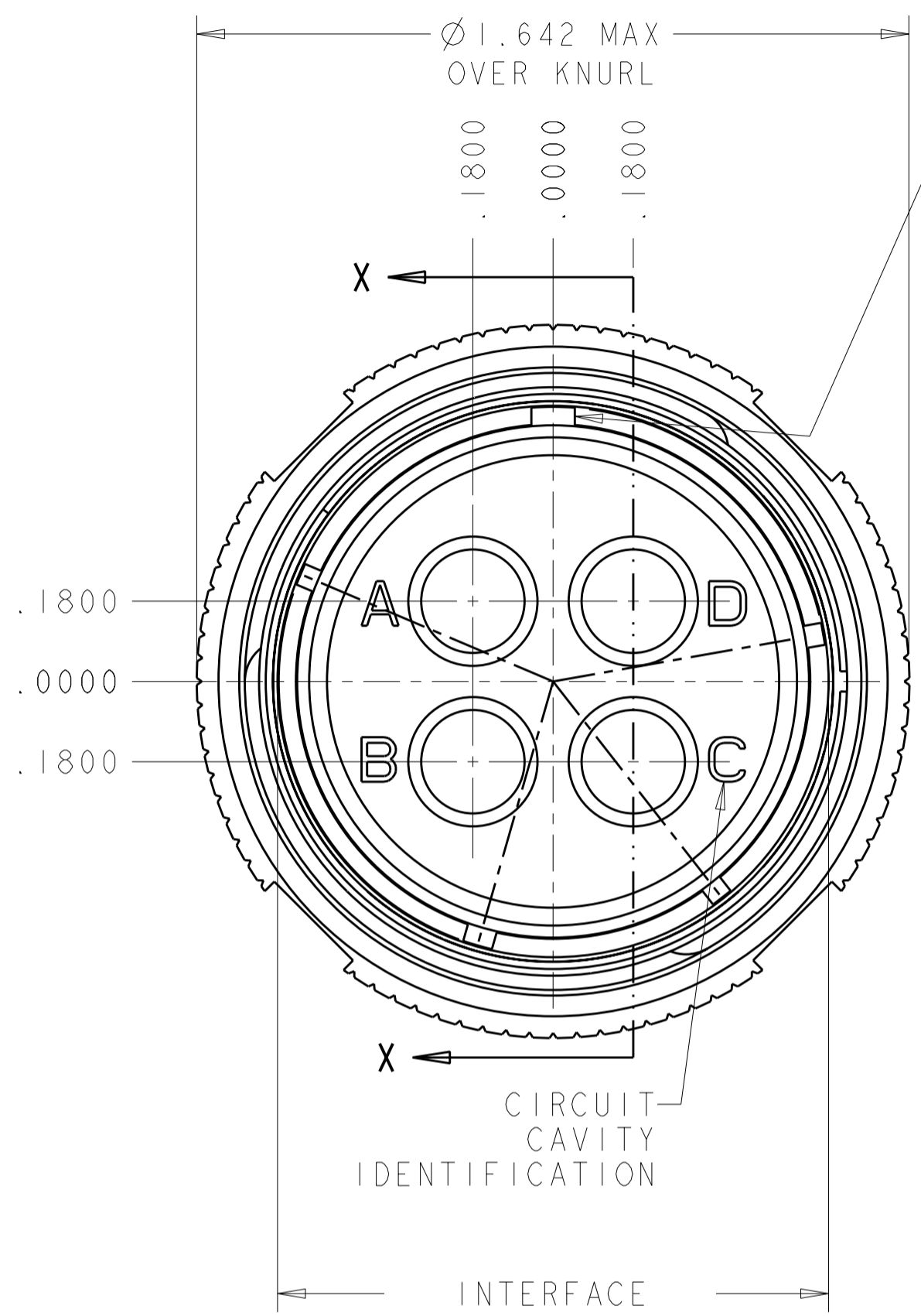
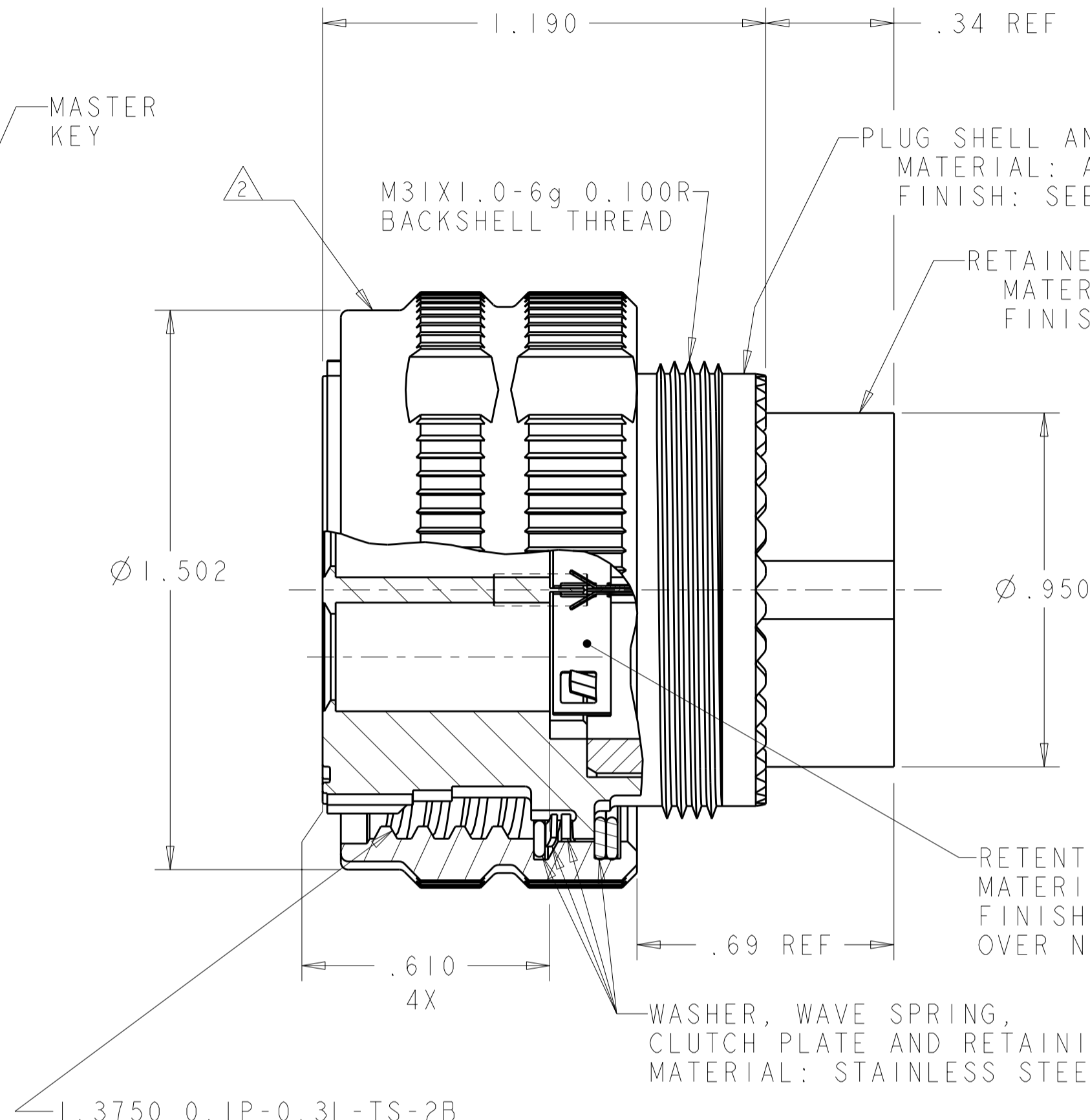


THIS DRAWING IS UNPUBLISHED. RELEASED FOR PUBLICATION 20  
 © COPYRIGHT 20 BY TYCO ELECTRONICS CORPORATION. ALL RIGHTS RESERVED.

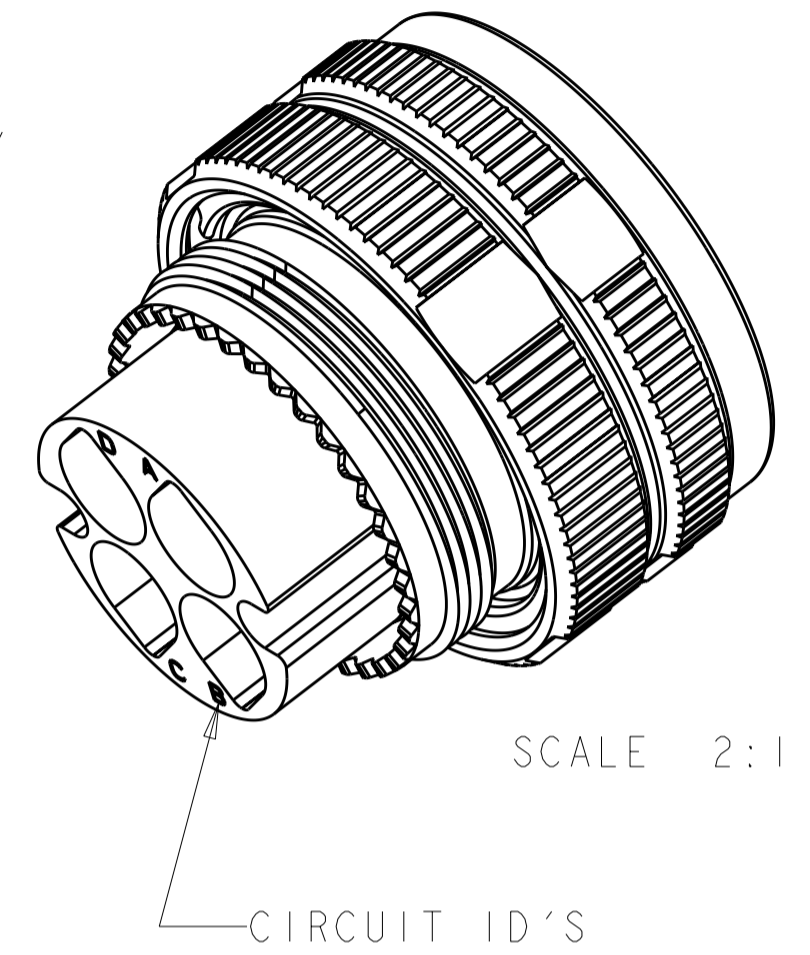
REVISIONS							
LOC	DIST	P	LTR	DESCRIPTION	DATE	DWN	APVD
DF	A5		B	REV PER ECO 10-024687	12-3-10	CT	DM



INTERFACE DIMENSIONS AND KEYS ARRANGEMENT "N" PER MIL-DTL-38999K



SECTION X-X



1.3750 0.1P-0.3L-TS-2B MODIFIED 60° STUB ACME TRIPLE START THREAD

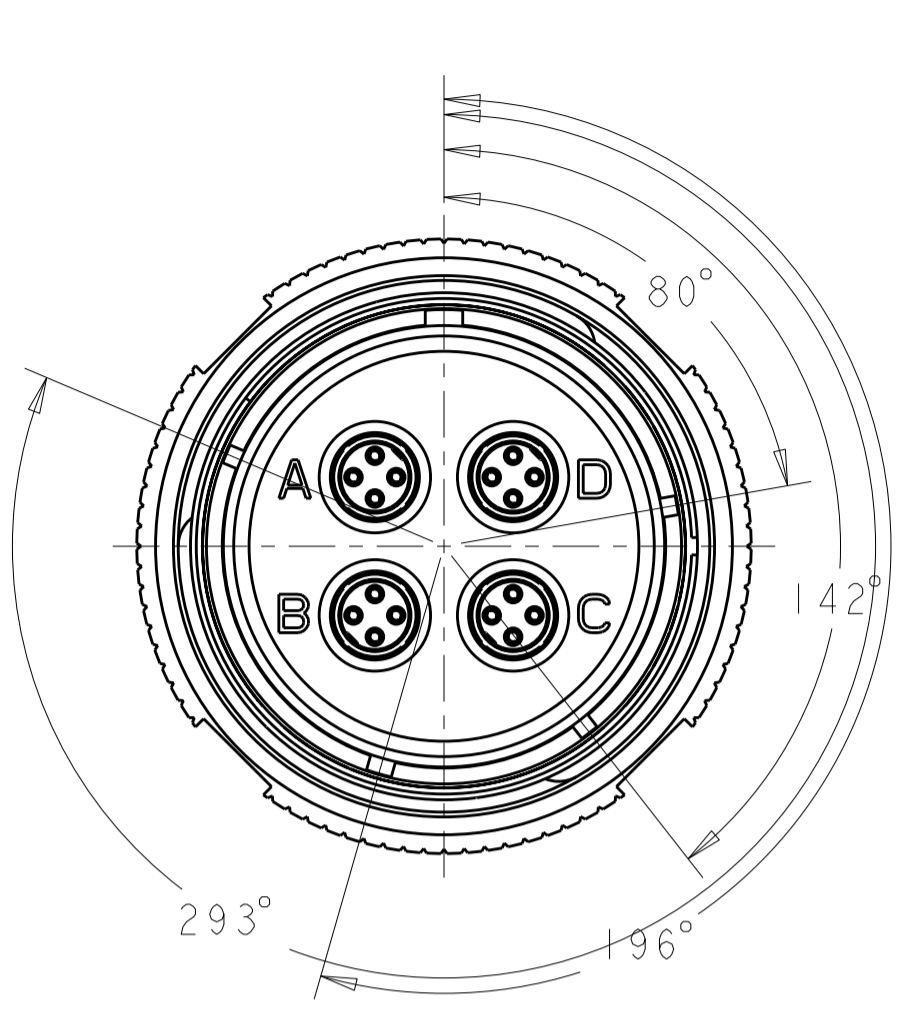
- THIS CONNECTOR ACCEPTS TYCO ELECTRONICS QUADRAX SOCKET ASSEMBLY; PART NUMBER 1445693-3 OR 1877040-2.
- PART IS MARKED WITH TYCO ELECTRONICS PART NO. (SEE TABLE), TYCO ELECTRONICS LOGO OR TE, TYCO ELECTRONICS CAGE CODE, AND DATE CODE.
- OPERATING TEMPERATURE RANGE: -65°C TO +125°C (-85°F TO +257°F).
- THE CONNECTOR QUALIFICATION WAS COMPLETED PER TYCO ELECTRONICS 108-2199. THE QUADRAX CONTACTS ARE QUALIFIED PER TYCO ELECTRONICS 108-2131. THE REFERENCE TEST REPORTS ARE TYCO ELECTRONICS 501-660 FOR THE CONNECTOR AND 501-574 FOR THE CONTACTS WHICH ARE SAME AS ARINC 600-13, DRAFT 2 OF SUPPLIMENT 14 ( AIR TRANSPORT AVIONICS EQUIPMENT INTERFACES ).

OLIVE DRAB	--	N	1-1954354-3
NICKEL	1877040-2	B	1-1954354-2
NICKEL	1877040-2	A	1-1954354-1
NICKEL	1877040-2	N	1-1954354-0
OLIVE DRAB	1445693-3	B	1954354-9
OLIVE DRAB	1445693-3	A	1954354-8
OLIVE DRAB	1445693-3	N	1954354-7
NICKEL	-	B	1954354-6
NICKEL	-	A	1954354-5
NICKEL	-	N	1954354-4
NICKEL	1445693-3	B	1954354-3
NICKEL	1445693-3	A	1954354-2
NICKEL	1445693-3	N	1954354-1
SHELL FINISH	QUADRAX CONTACT QTY=4	SHELL KEYING ARRANGEMENT	PART NUMBER

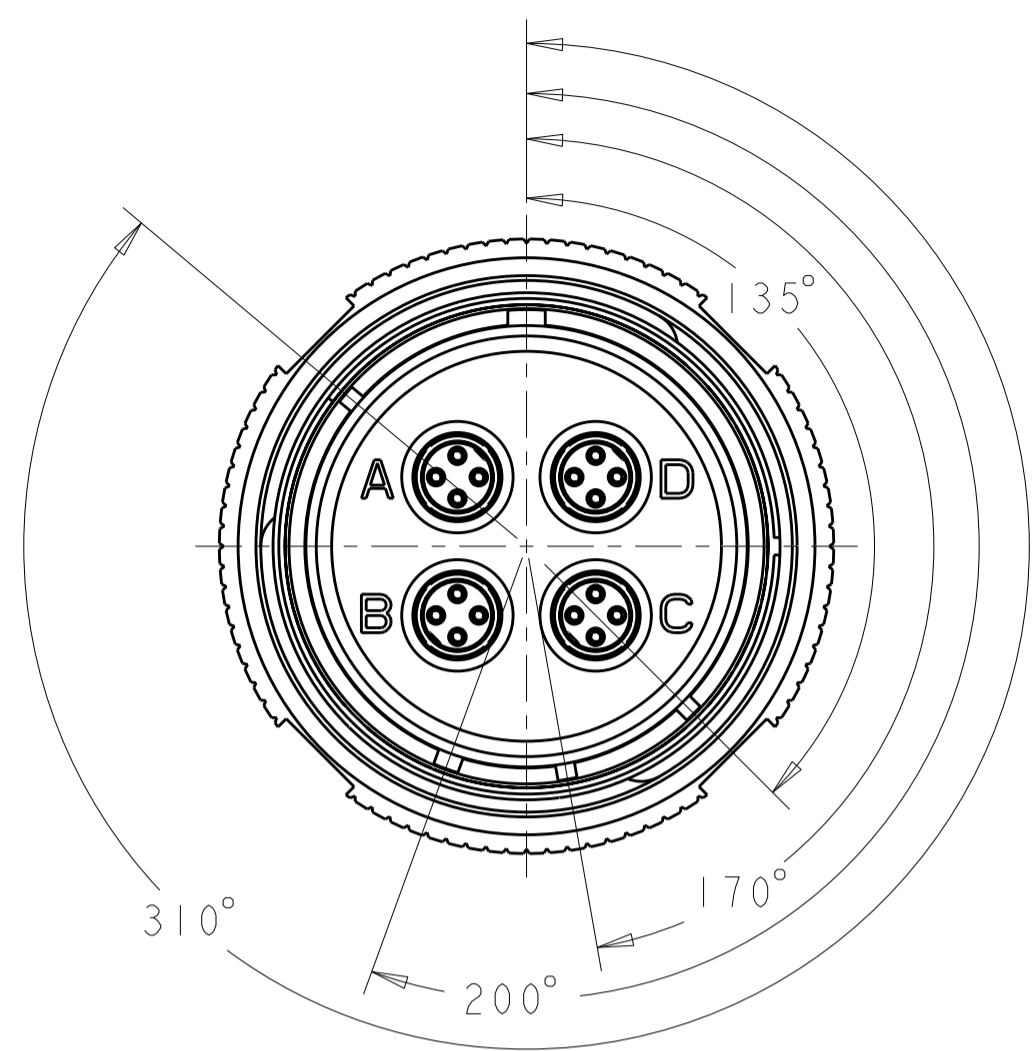
<small>THIS DRAWING IS A CONTROLLED DOCUMENT FOR TYCO ELECTRONICS CORPORATION. IT IS SUBJECT TO CHANGE AND THE CONTROLLING ENGINEERING ORGANIZATION SHOULD BE CONTACTED FOR THE LATEST REVISION.</small>		DWN R FLAIG 31AUG2006 CHK L OH 31AUG2006 APVD L OH 31AUG2006	<b>Tyco Electronics</b> Tyco Electronics Harrisburg, PA 17105-3608
DIMENSIONS: INCHES 	TOLERANCES UNLESS OTHERWISE SPECIFIED: 0 PLC ± 1 PLC ±.01 2 PLC ±.005 3 PLC ±.0020 4 PLC ±.0020 ANGLES ±1° FINISH	PRODUCT SPEC APPLICATION SPEC WEIGHT	NAME ASSY, PLUG, SIZE 21, 4Q4, M38999 STYLE SIZE A2 CAGE CODE 00779 C=1954354 DRAWING NO 1954354 RESTRICTED TO
MATERIAL		CUSTOMER DRAWING	SCALE 3:1 SHEET 1 OF 2 REV B

THIS DRAWING IS UNPUBLISHED. RELEASED FOR PUBLICATION 20  
 © COPYRIGHT 20 BY TYCO ELECTRONICS CORPORATION. ALL RIGHTS RESERVED.

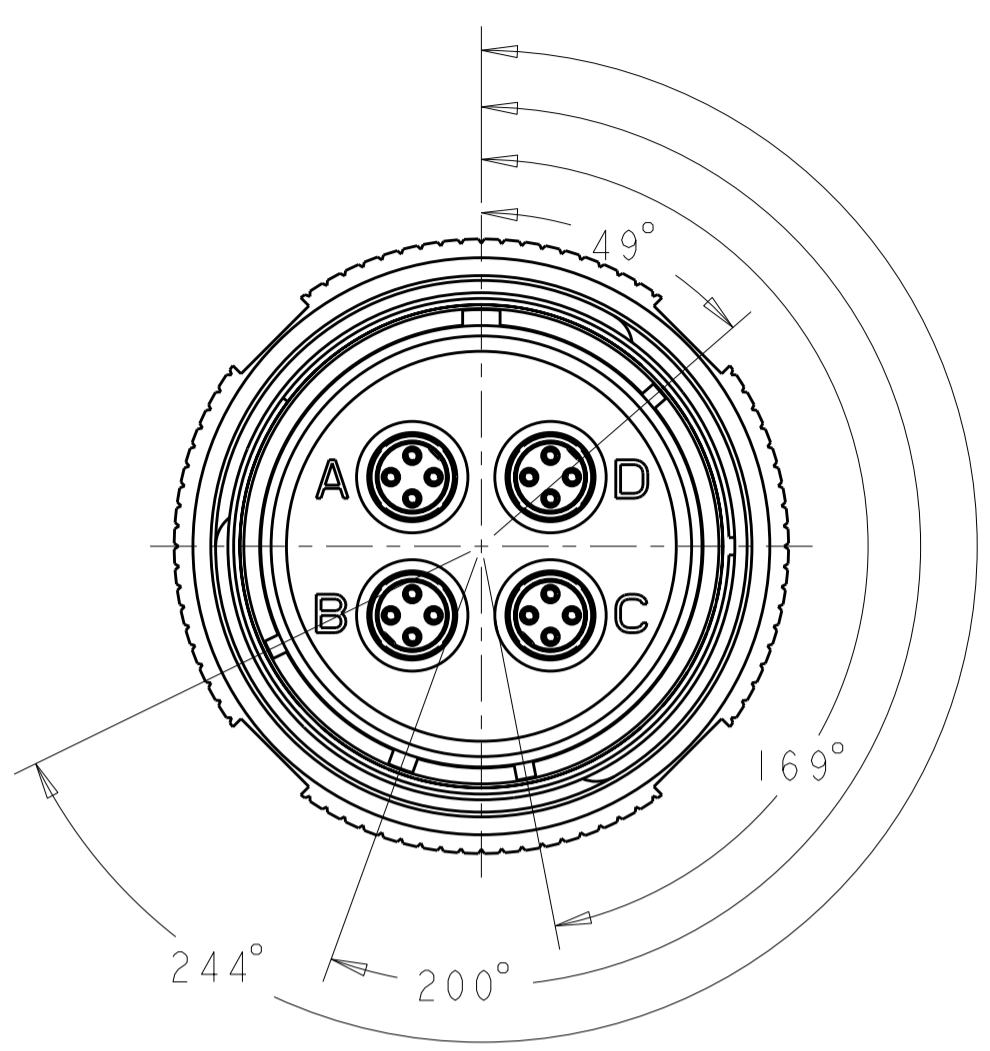
LOC		DIST		REVISIONS			
P	LTR	DESCRIPTION	DATE	DWN	APVD		
-	-	SEE SHEET 1	-	-	-		



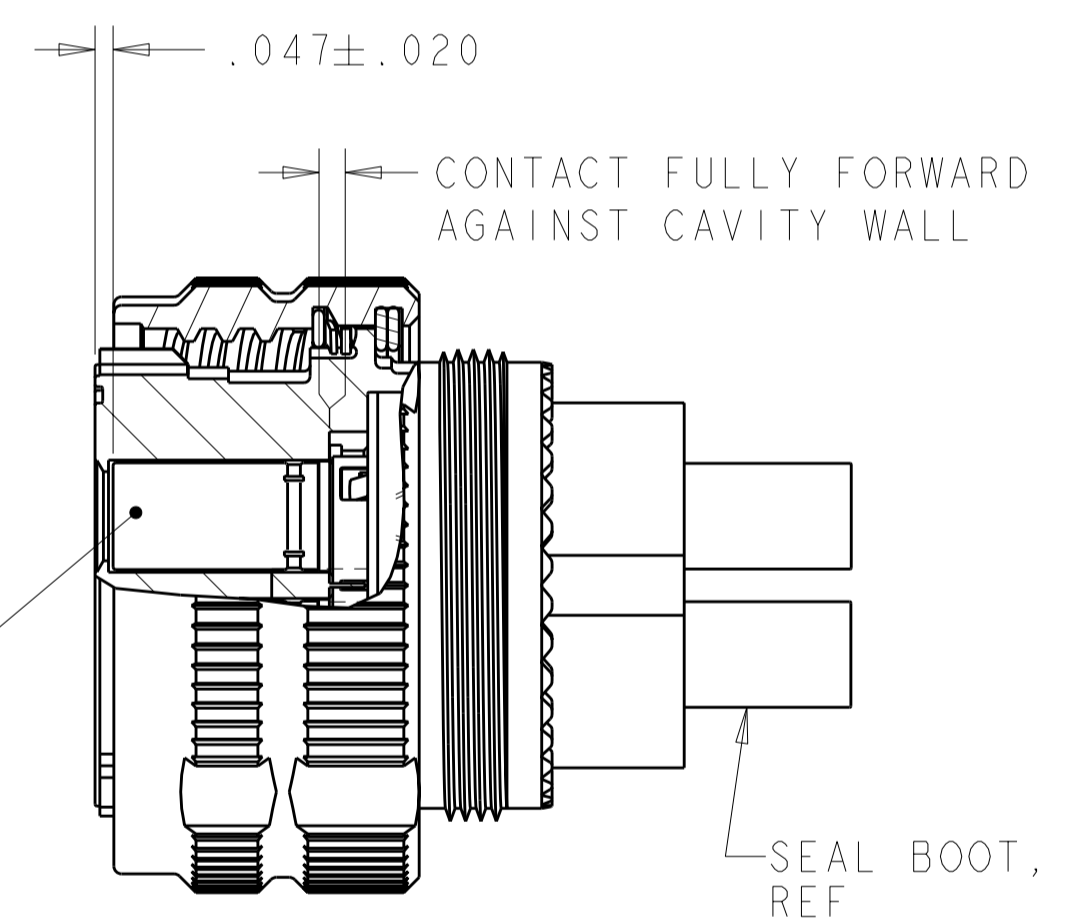
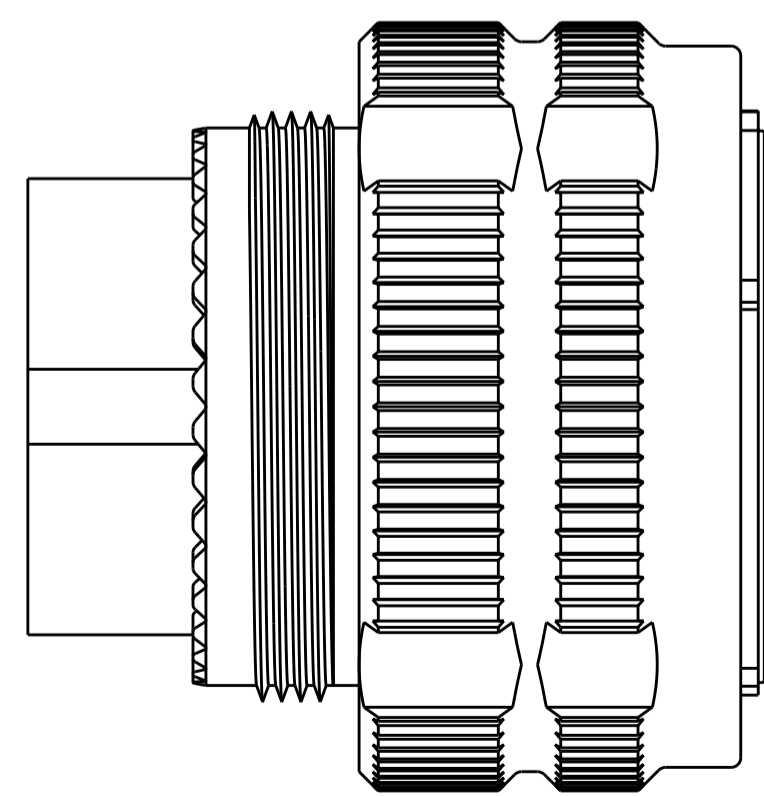
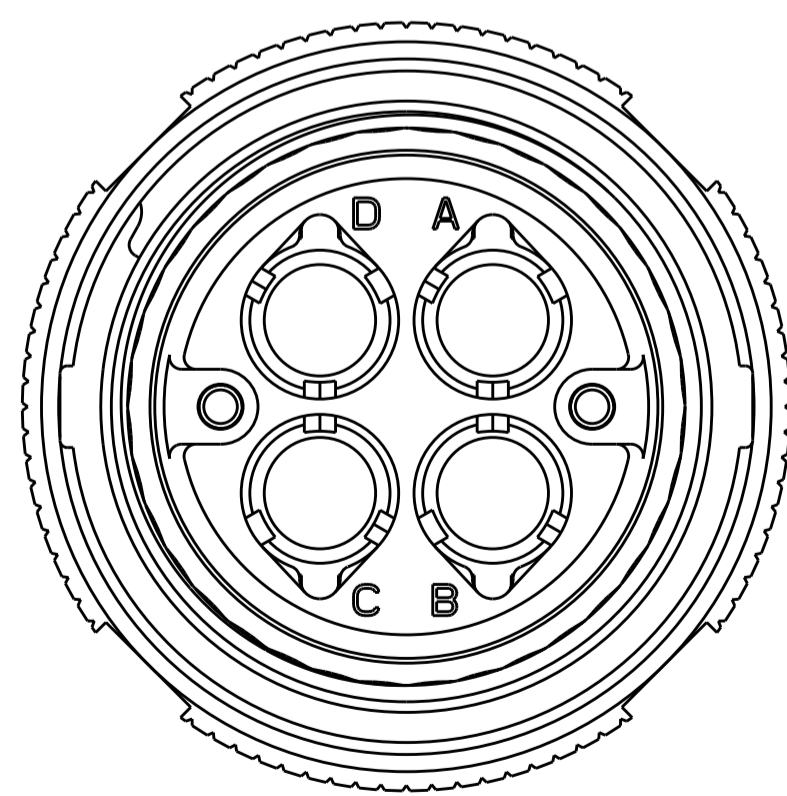
1811599-1  
"N" KEY POLARIZATION



1811599-2  
"A" KEY POLARIZATION



1811599-3  
"B" KEY POLARIZATION



QUADRAX SOCKET ASSY, SHOWN FOR REF ONLY  
 CONTACT PROVIDED UN-ASSEMBLED ON  
 SELECT PART NUMBERS (SEE TABLE ON SHEET #1)

SECTION X-X  
 SCALE 2:1

<small>THIS DRAWING IS A CONTROLLED DOCUMENT FOR TYCO ELECTRONICS CORPORATION          IT IS SUBJECT TO CHANGE AND THE CONTROLLING ENGINEERING ORGANIZATION          SHOULD BE CONTACTED FOR THE LATEST REVISION.</small>		DWN R FLAIG 02AUG2005 CHK L OH 02AUG2005 APVD L OH 02AUG2005	<b>Tyco Electronics</b> Tyco Electronics Harrisburg, PA 17105-3608
DIMENSIONS: INCHES 	TOLERANCES UNLESS OTHERWISE SPECIFIED: 0 PLC ±. 1 PLC ±.01 2 PLC ±.01 3 PLC ±.005 4 PLC ±.0020 ANGLES ±1° FINISH	PRODUCT SPEC APPLICATION SPEC WEIGHT CUSTOMER DRAWING	NAME ASSY, PLUG, SIZE 21, 4Q4, M38999 STYLE SIZE A2 CAGE CODE 00779 DRAWING NO. C-1954354 RESTRICTED TO SCALE 3:1 SHEET 2 OF 2 REV B