

PART NAME: KNOB

SCALE: 1:1

DATE: 10/25/85

DR. BY HD



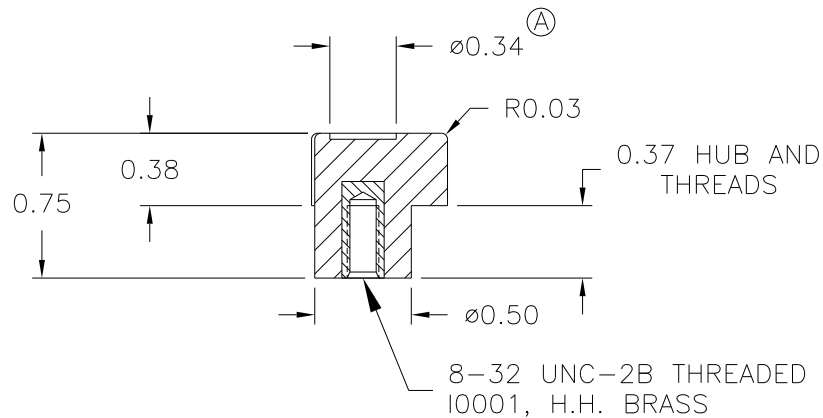
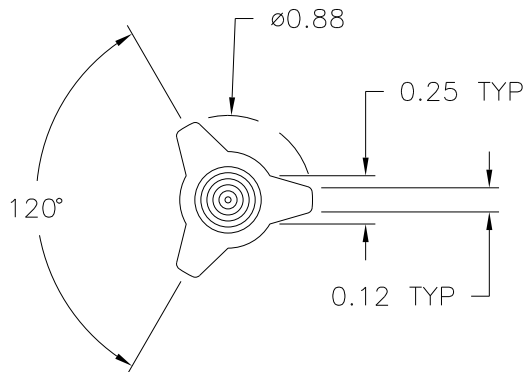
DESIGNERS & MANUFACTURERS OF KNOBS, HANDLES, CASES & CUSTOM PLASTIC COMPONENTS

P/N 3022

THIS DRAWING IS THE PROPERTY OF DAVIES MOLDING COMPANY, IS SUBMITTED SOLELY AS A DESIGN OR ENGINEERING PROJECT. WE ACCEPT NO RESPONSIBILITY WHATSOEVER FOR THE PRACTICAL APPLICATION OF THE PIECES MADE TO THIS DESIGN.

M<sup>NO.</sup> 1475

CAVITY	3022
PLUNGER	3022
PLUNGER PIN	3022
PINS	3025&3025-A
SHIMS	.250+.250+.047
PIN BAR	1475
INSERT	I0001
PLUNGER KEY	1/4x1/4x7/16
CAVITY KEY	1/4x1/4x1/2



MATERIAL: G.P. PHENOLIC (B11)  
 COLOR: BLACK

TOLERANCES: UNLESS OTHERWISE SPECIFIED	DO NOT SCALE DRAWING	- REDRAWN	TL	11/16/99
DECIMALS: X.XXX ± .005 X.XX ± .015	MM: X.XX ± 0.15MM X.X ± 0.4MM	A WAS ø1/4 RECESS	HD	5/20/98
FRACTIONS ± 1/64	ANG. ± 1°	- CAD REDRAW	HD	3/26/93
CHANGES				