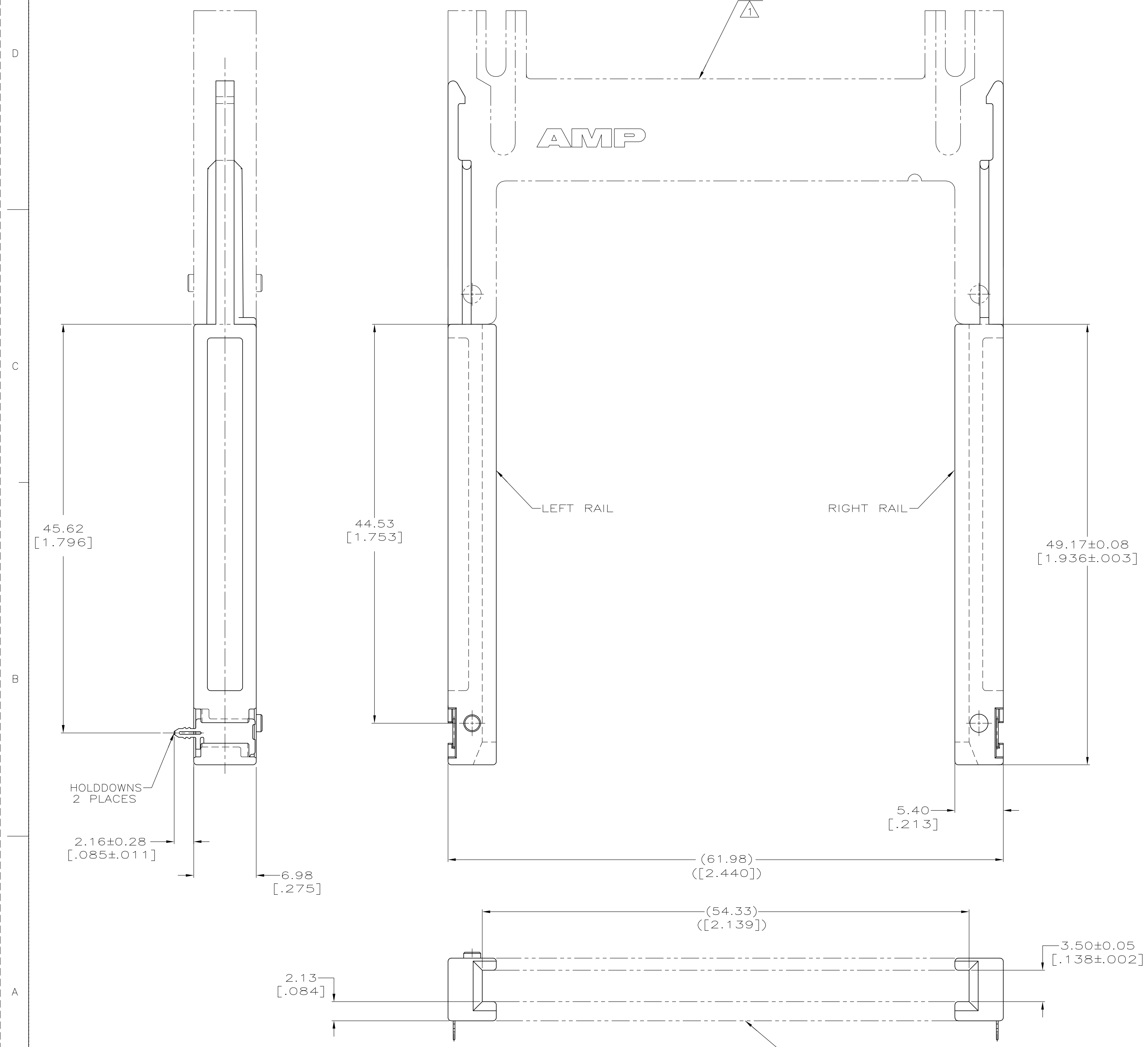
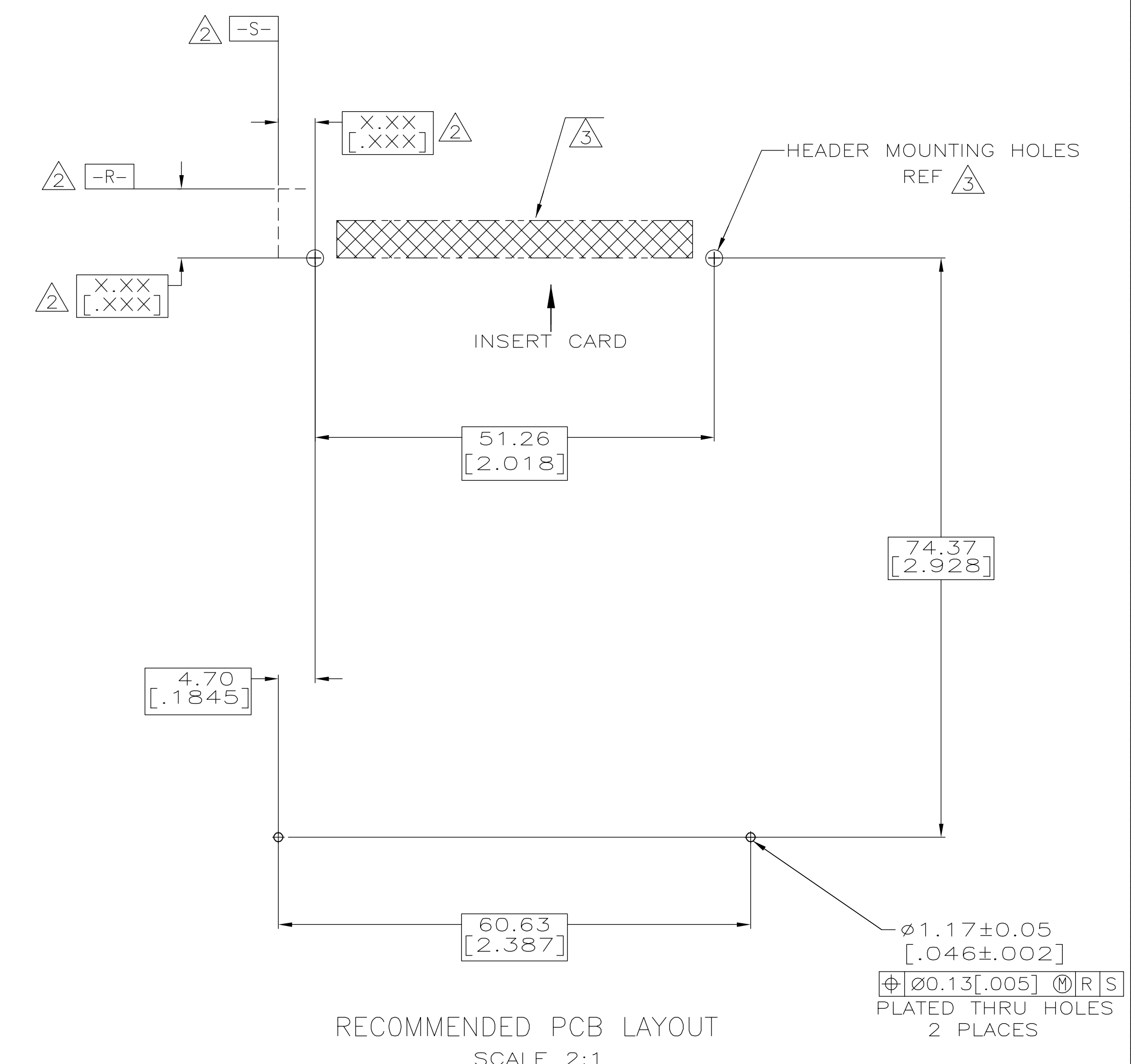


LOC		DIST		REVISIONS			
P	LR	DESCRIPTION	DATE	DWN	APVD		
0		REL PER EC 0513-0031-05	03-30-05	LV	JG		



- ① SMT OR THRU-HOLE HEADER ASSY NOT SUPPLIED AND MUST BE ORDERED SEPERATELY. CONTACT AMP INCORPORATED FOR HEADER PART NUMBER
- ② DATUMS AND BASIC DIMENSIONS ESTABLISHED BY CUSTOMER
- ③ FOR HEADER PC BOARD LAYOUT SEE APPROPRIATE HEADER ASSEMBLY
- ④ MATERIAL:
RAIL: LCP - COLOR: BLACK
HOLD DOWNS: PHOSPHOR BRONZE



RIGHT GUIDE RAIL WITH HOLDDOWN	5535664-2
LEFT GUIDE RAIL WITH HOLDDOWN	5535664-1
DESCRIPTION	PART NO

THIS DRAWING IS A CONTROLLED DOCUMENT.		DWN L. VARELA - DOCKS	03-30-05	 Tyco Electronics Corporation Harrisburg, PA 17105-3608
DIMENSIONS: mm [INCHES]		CHK D.L. GORENC	03-30-05	
TOLERANCES UNLESS OTHERWISE SPECIFIED:		APVD M. WALMSLEY	03-30-05	NAME
0 PLC ± -		PRODUCT SPEC		GUIDE RAILS, EXTENDED, WITH THRU-HOLE HOLDDOWNS, AMP MEMORY CARD
1 PLC ± -		APPLICATION SPEC		SIZE CASE CODE DRAWING NO
2 PLC ± 0.13 [005]				A1 00779 C=5535664
3 PLC ± -				RESTRICTED TO
4 PLC ± -				-
ANGLES ± -				WEIGHT 2.1 GRAMS
FINISH HOLD DOWNS: TIN				CUSTOMER DRAWING
MATERIAL ④				SCALE 4:1 SHEET 1 OF 1 REV 0

**COPYRIGHT 2005
 TYCO ELECTRONICS CORP
 ALL RIGHTS RESERVED**