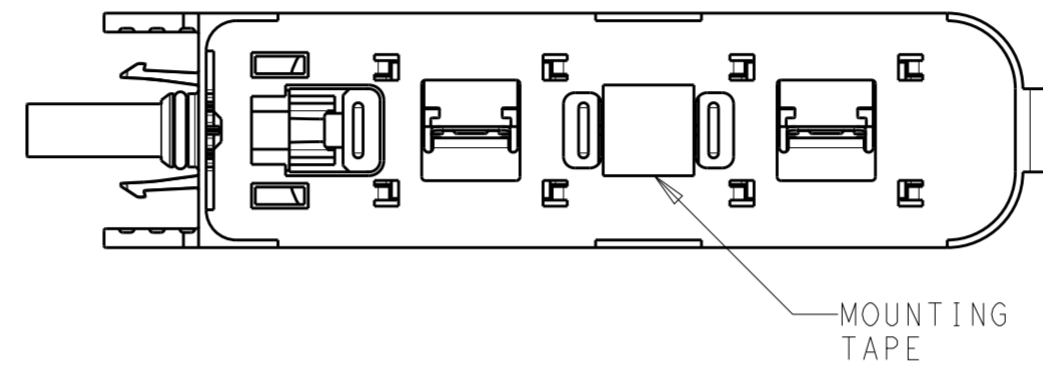


THIS DRAWING IS UNPUBLISHED. RELEASED FOR PUBLICATION  
 © COPYRIGHT copyright.d8te- ALL RIGHTS RESERVED.

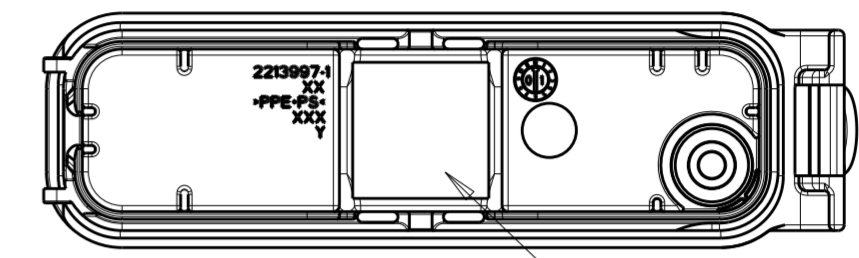
REVISIONS				
P	LTR	DESCRIPTION	DATE	APVD
	A	RELEASED FOR PRODUCTION	23OCT2017	RK PO

NOTES:

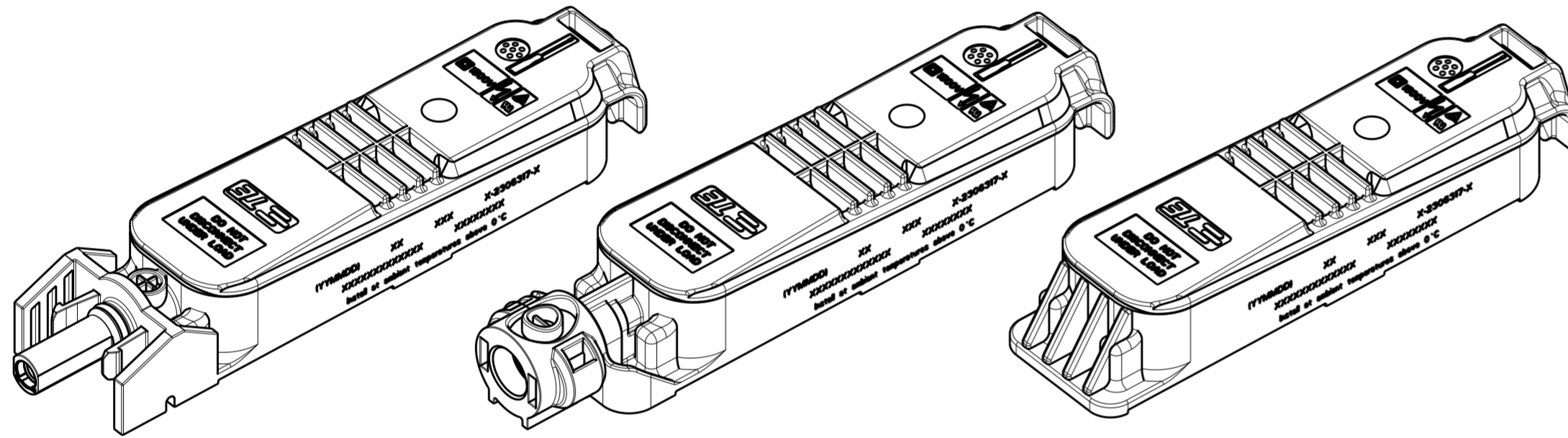
- 1 LID NOT ASSEMBLED WITH LOWER PART. ENCLOSED LOOSELY
- 2 FLAP NOT ASSEMBLED WITH LOWER PART. ENCLOSED LOOSELY
- 3 PART NUMBER.
- 4 PRODUCTION DATE (YYMMDD)
- 5 MANUFACTURING LOCATION CODE.
- 6 OMEGA CLIP AS LOOSE PIECE IN BOX, PRODUCT SPEC. 108-94176
- 7 MODEL CODE ACCORDING TE-SPEC. 404-74000-1
- 8 CONSECUTIVE SERIAL NUMBER
- 9 TEST EQUIPMENT NUMBER
- 10 DIODES WELDED ON CONTACT RAIL
- 11. MUST COMPLY WITH DIRECTIVE 2002/95/EC (ROHS).
- 12. THIS PRODUCT HAS NOT COMPLETED VALIDATION TESTING.



BOTTOM VIEW OF TYPICAL ASSEMBLY WHEN MOUNTING TAPE IS APPLIED



BOTTOM VIEW OF LID SUBASSEMBLY WHEN THERMAL INTERFACE MATERIAL IS APPLIED



PVEDGE2GGA1V_2	36.0	EAST/WEST	YES	YES	7-2306317-5
PVEDGE2DGA1V_2	55.2	EAST/WEST	YES	YES	7-2306317-2
PVEDGE2FGA1V_2	58.7	EAST/WEST	YES	YES	7-2306317-1
PVEDGE2GGA1V_2	36.0	EAST/WEST	NO	YES	6-2306317-5
PVEDGE2DGA1V_2	55.2	EAST/WEST	NO	YES	6-2306317-2
PVEDGE2FGA1V_2	58.7	EAST/WEST	NO	YES	6-2306317-1
PVEDGE2GGA1T_2	36.0	EAST/WEST	YES	NO	5-2306317-5
PVEDGE2DGA1T_2	55.2	EAST/WEST	YES	NO	5-2306317-2
PVEDGE2FGA1T_2	58.7	EAST/WEST	YES	NO	5-2306317-1
PVEDGE2GGA1T_2	36.0	EAST/WEST	NO	NO	4-2306317-5
PVEDGE2DGA1T_2	55.2	EAST/WEST	NO	NO	4-2306317-2
PVEDGE2FGA1T_2	58.7	EAST/WEST	NO	NO	4-2306317-1
PVEDGE2GGA1V_2	36.0	NORTH/SOUTH	YES	YES	3-2306317-5
PVEDGE2DGA1V_2	55.2	NORTH/SOUTH	YES	YES	3-2306317-2
PVEDGE2FGA1V_2	58.7	NORTH/SOUTH	YES	YES	3-2306317-1
PVEDGE2GGA1V_2	36.0	NORTH/SOUTH	NO	YES	2-2306317-5
PVEDGE2DGA1V_2	55.2	NORTH/SOUTH	NO	YES	2-2306317-2
PVEDGE2FGA1V_2	58.7	NORTH/SOUTH	NO	YES	2-2306317-1
PVEDGE2GGA1T_2	36.0	NORTH/SOUTH	YES	NO	1-2306317-5
PVEDGE2DGA1T_2	55.2	NORTH/SOUTH	YES	NO	1-2306317-2
PVEDGE2FGA1T_2	58.7	NORTH/SOUTH	YES	NO	1-2306317-1
PVEDGE2GGA1T_2	36.0	NORTH/SOUTH	NO	NO	2306317-5
PVEDGE2DGA1T_2	55.2	NORTH/SOUTH	NO	NO	2306317-2
PVEDGE2FGA1T_2	58.7	NORTH/SOUTH	NO	NO	2306317-1
Model Code 7	DIM X	PV PANEL FOIL DIRECTION	MONUTING TAPE	THERMAL INTERFACE MATERIAL	PART NO.

TIN OVER NICKEL	COPPER ALLOY	INTERFACE CONTACT-SOCKET	11
TIN OVER NICKEL	COPPER ALLOY	INTERFACE CONTACT-PIN	10
-	-	THERMAL INTERFACE MATERIAL	9
-	-	BYPASS DIODE: TYPE SL2020A	8
GRAY	PPE+PS	MEMBRANE RETAINER	7
-	-	MEMBRANE VENT	6
PLAIN	STAINLESS STEEL	OMEGA CLIP	5 6
TIN	COPPER ALLOY	CONTACT RAIL	4
BLACK	PPE+PS	BOX, LOWER HOUSING	3
RED	SILICONE	O-RING SEAL	2
BLACK	PPE+PS	BOX, LID	1 1
COLOR/FINISH	MATERIAL	DESCRIPTION	ITEM NO.

THIS DRAWING IS A CONTROLLED DOCUMENT.

DIMENSIONS: mm

TOLERANCES UNLESS OTHERWISE SPECIFIED:

0 PLC	±0.50
1 PLC	±0.25
2 PLC	±0.13
3 PLC	±
4 PLC	±
ANGLES	±
FINISH	-

MATERIAL 1

APVD: 13AUG2016 RAVI.S  
 CHK: 13AUG2016 GINGRICH CHUCK  
 APVD: 13AUG2016 GINGRICH CHUCK

PRODUCT SPEC: 108-32122  
 APPLICATION SPEC: 114-32157

NAME: PV EDGE ASSEMBLY, WITHOUT FLAP, OMEGA CLIP

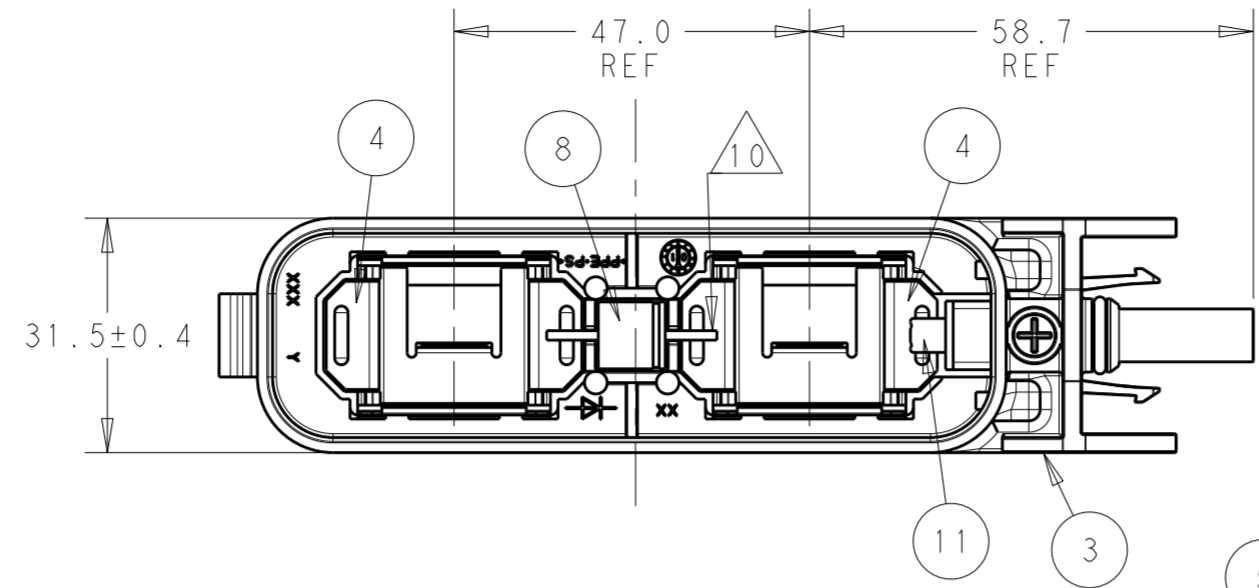
SIZE: A2 CAGE CODE: C-2306317 DRAWING NO: 114-32157 RESTRICTED TO: -

CUSTOMER DRAWING SCALE: 1:1 SHEET: 1 OF 4 REV: A

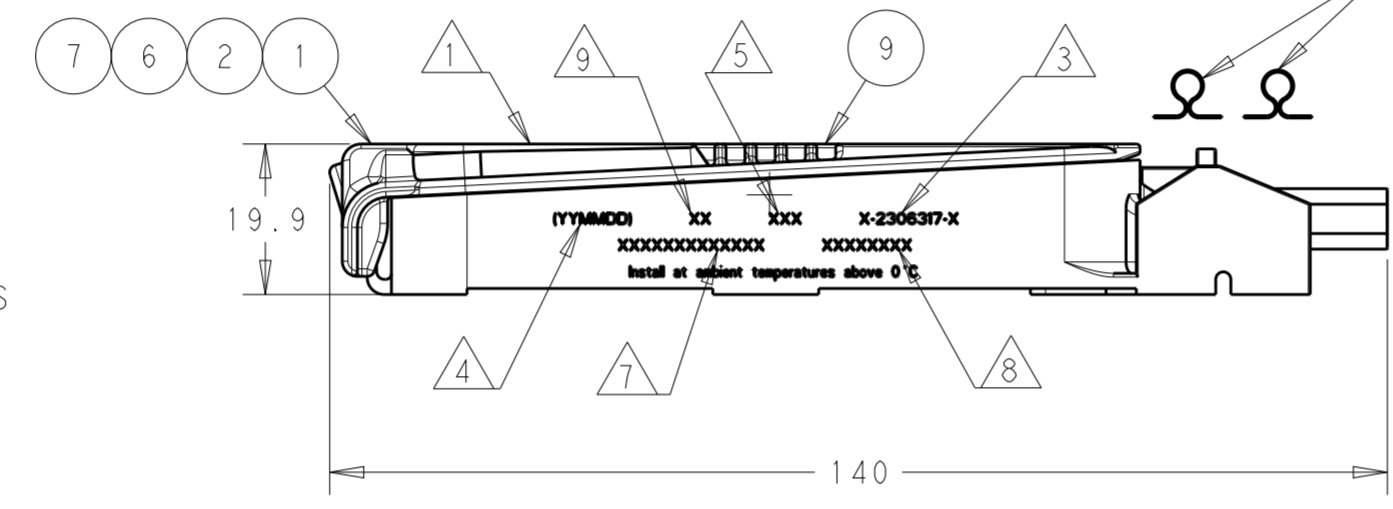
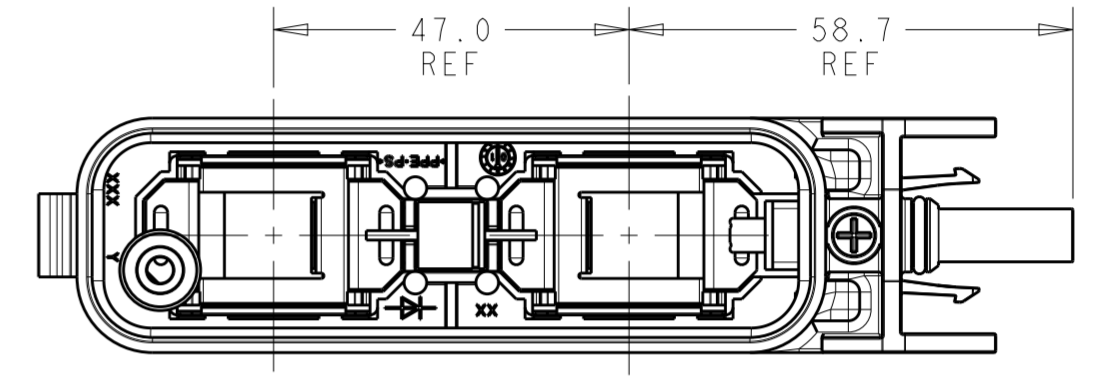
THIS DRAWING IS UNPUBLISHED. RELEASED FOR PUBLICATION  
 © COPYRIGHT copyright.d8Te- ALL RIGHTS RESERVED.

REVISIONS				
P	LTR	DESCRIPTION	DATE	APVD
-		SEE SHEET 1	-	-

LID NOT SHOWN FOR REFERENCE ONLY



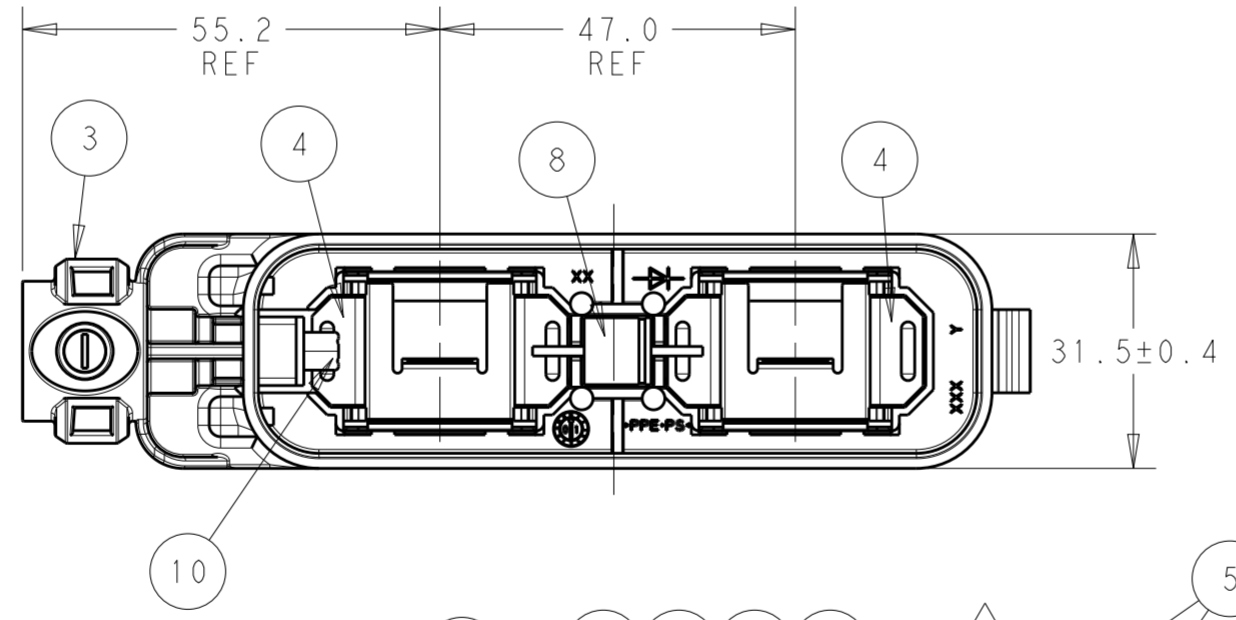
LID NOT SHOWN FOR REFERENCE ONLY



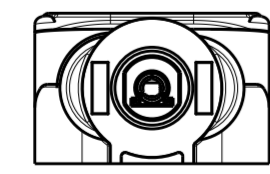
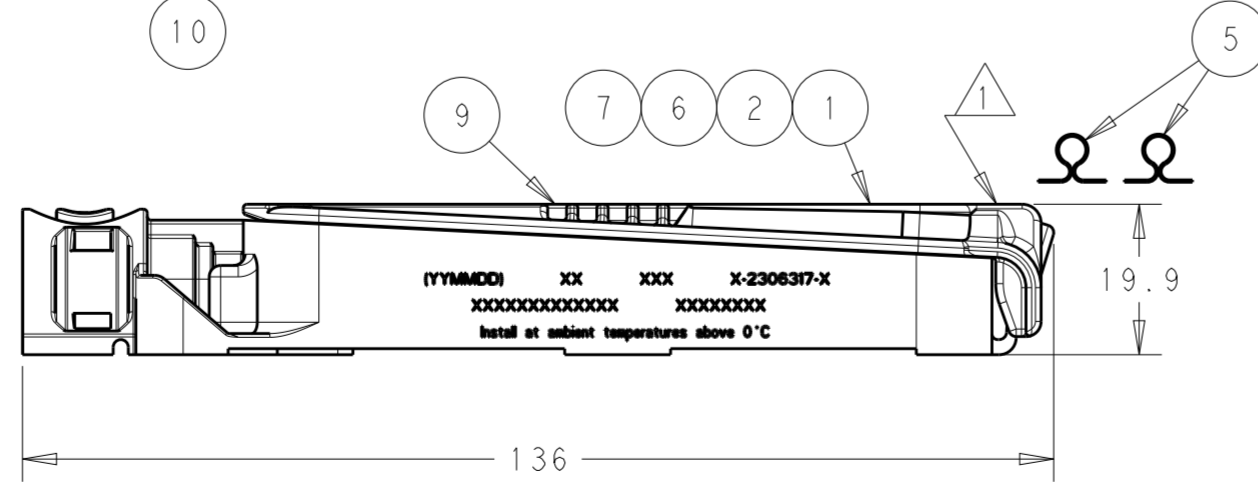
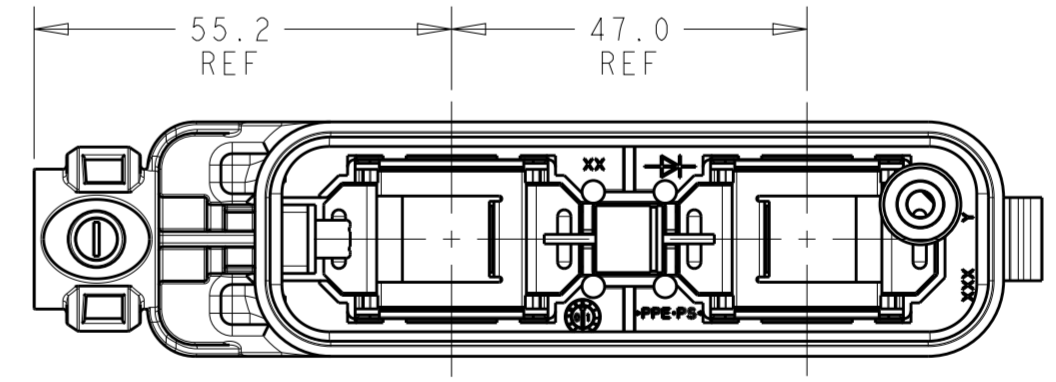
NORTH-SOUTH VERSIONS  
 2306317-1  
 1-2306317-1  
 2-2306317-1  
 3-2306317-1  
 SHOWN

EAST-WEST VERSIONS  
 4-2306317-1  
 5-2306317-1  
 6-2306317-1  
 7-2306317-1  
 SAME AS N-S VERSIONS  
 EXCEPT AS SHOWN

LID NOT SHOWN FOR REFERENCE ONLY



LID NOT SHOWN FOR REFERENCE ONLY



NORTH-SOUTH VERSIONS  
 2306317-2  
 1-2306317-2  
 2-2306317-2  
 3-2306317-2  
 SHOWN

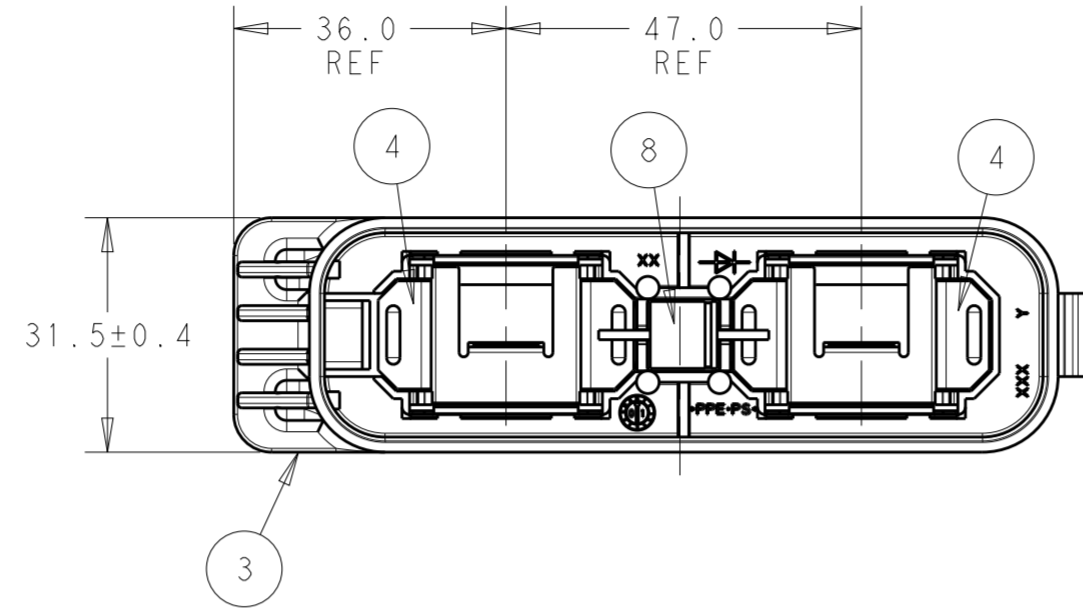
EAST-WEST VERSIONS  
 4-2306317-2  
 5-2306317-2  
 6-2306317-2  
 7-2306317-2  
 SAME AS N-S VERSIONS  
 EXCEPT AS SHOWN

THIS DRAWING IS A CONTROLLED DOCUMENT.		DWN RAVLS 13AUG2016	TE Connectivity	
DIMENSIONS: mm		CHK GINGRICH CHUCK 13AUG2016		
TOLERANCES UNLESS OTHERWISE SPECIFIED:		APVD GINGRICH CHUCK 13AUG2016	NAME PV EDGE ASSEMBLY, WITHOUT FLAP, OMEGA CLIP	
0 PLC ±0.50		PRODUCT SPEC 108-32122	SIZE A2	
1 PLC ±0.25		APPLICATION SPEC 114-32157	CAGE CODE C-2306317	
2 PLC ±0.13		WEIGHT -	DRAWING NO -	
3 PLC ±		CUSTOMER DRAWING	RESTRICTED TO -	
4 PLC ±		SCALE 5:1	SHEET 2 OF 4	
ANGLES ±			REV A	
FINISH -				

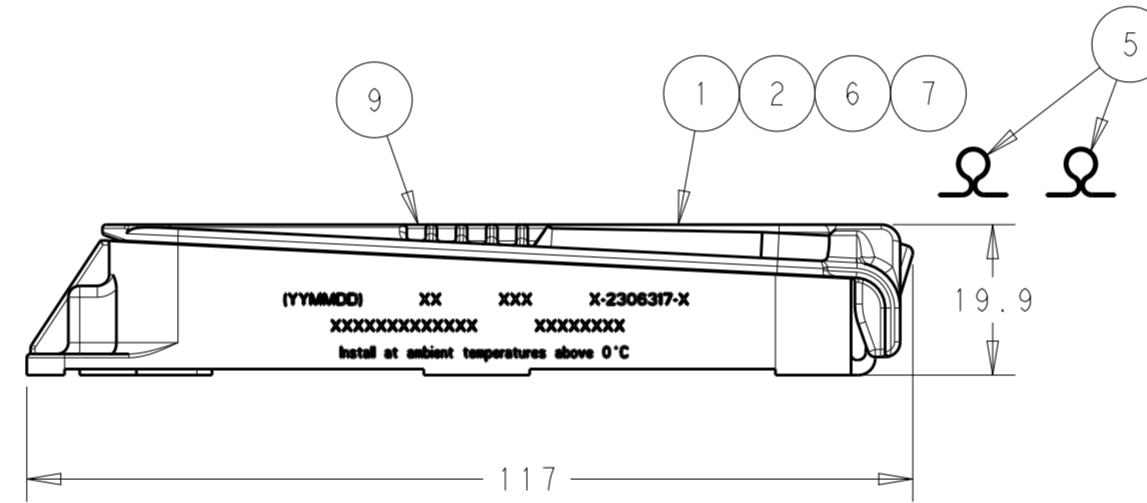
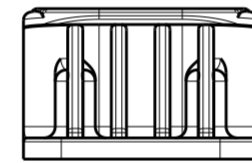
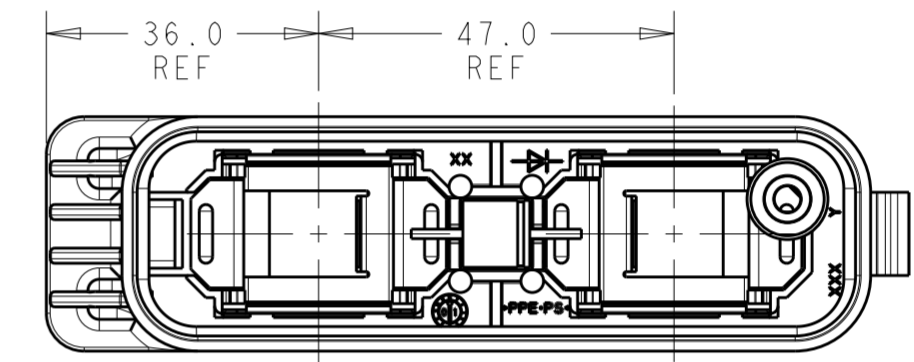
THIS DRAWING IS UNPUBLISHED. RELEASED FOR PUBLICATION  
 © COPYRIGHT copyright.d8te- ALL RIGHTS RESERVED.

REVISIONS				
P	LTR	DESCRIPTION	DATE	APVD
-		SEE SHEET 1	-	-

LID NOT SHOWN FOR REFERENCE ONLY



LID NOT SHOWN FOR REFERENCE ONLY



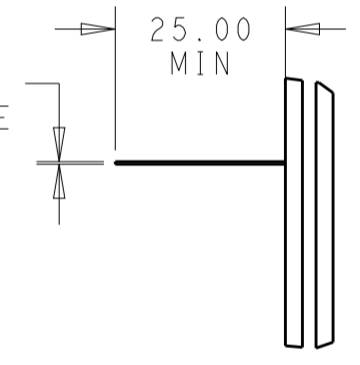
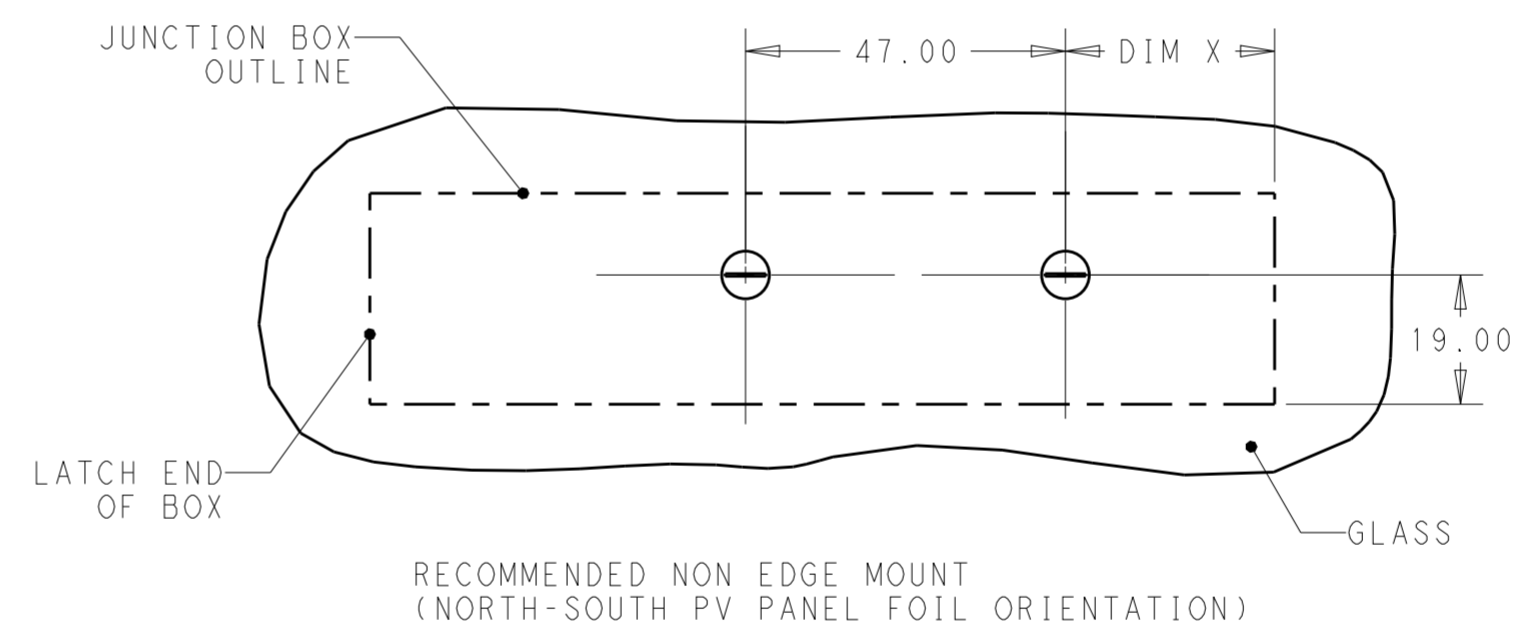
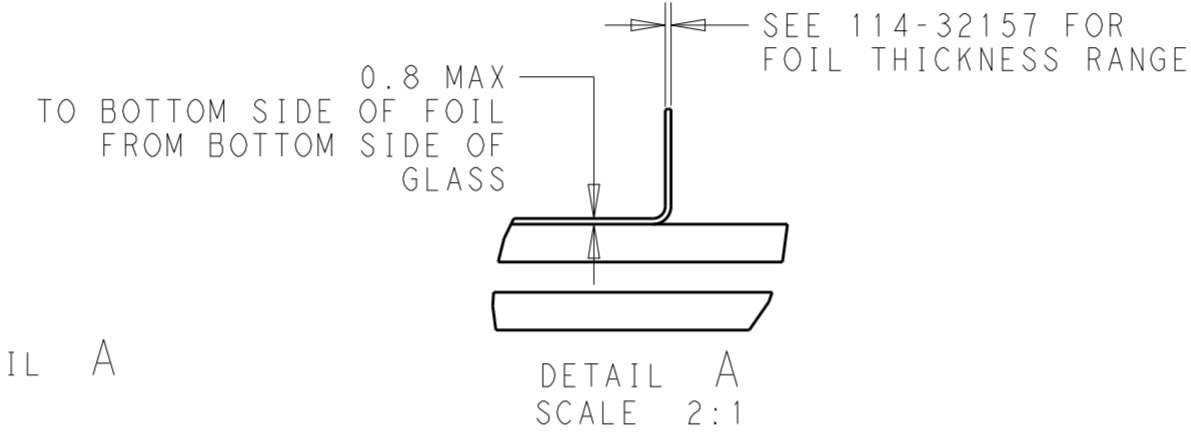
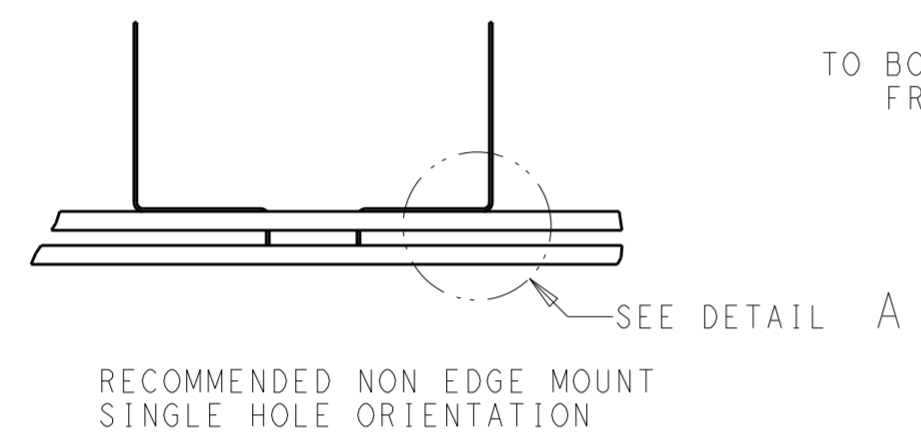
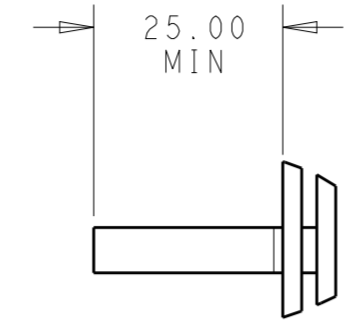
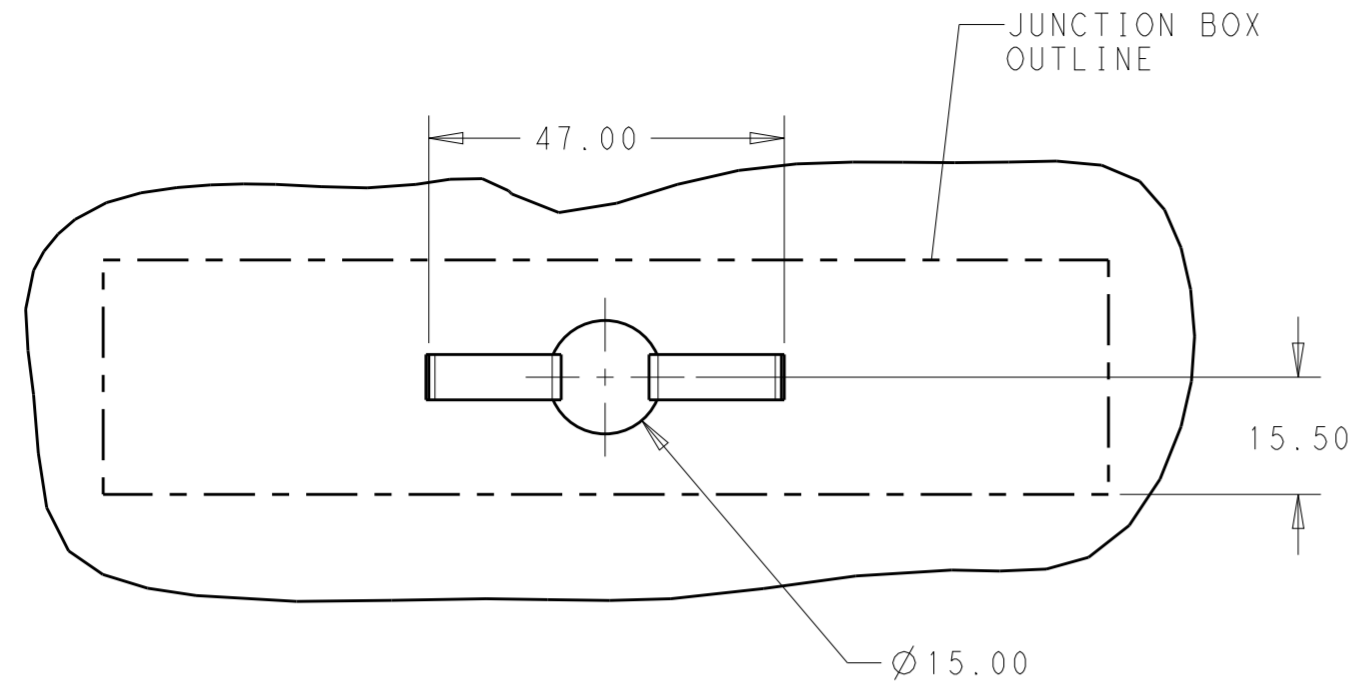
EAST-WEST VERSIONS  
 4-2306317-5  
 5-2306317-5  
 6-2306317-5  
 7-2306317-5  
 SAME AS N-S VERSIONS  
 EXCEPT AS SHOWN

NORTH-SOUTH VERSIONS  
 2306317-5  
 1-2306317-5  
 2-2306317-5  
 3-2306317-5  
 SHOWN

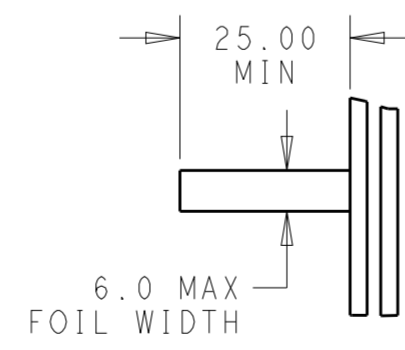
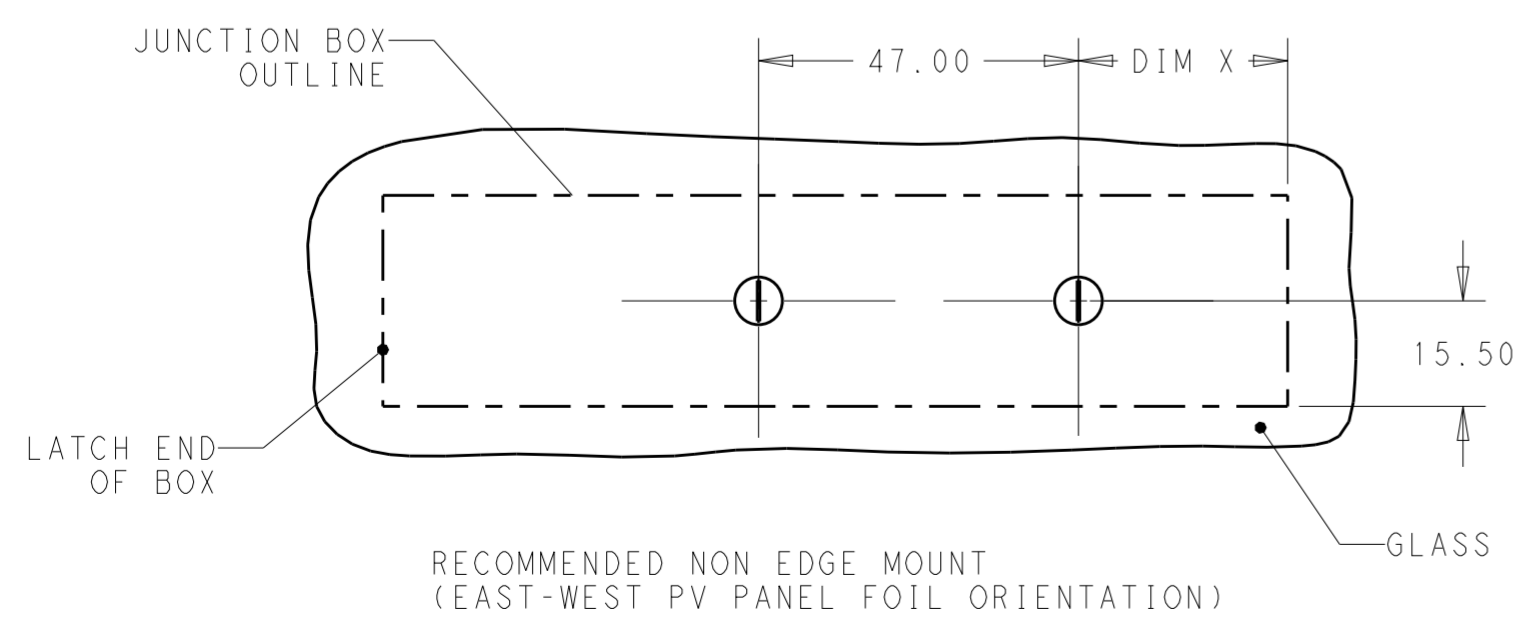
THIS DRAWING IS A CONTROLLED DOCUMENT.		DWN RAVLS 13AUG2016	TE Connectivity															
DIMENSIONS: mm		CHK GINGRICH CHUCK 13AUG2016																
TOLERANCES UNLESS OTHERWISE SPECIFIED:		APVD GINGRICH CHUCK 13AUG2016	NAME PV EDGE ASSEMBLY, WITHOUT FLAP, OMEGA CLIP															
<table border="0"> <tr><td>0 PLC</td><td>±0.50</td></tr> <tr><td>1 PLC</td><td>±0.25</td></tr> <tr><td>2 PLC</td><td>±0.13</td></tr> <tr><td>3 PLC</td><td>±</td></tr> <tr><td>4 PLC</td><td>±</td></tr> <tr><td>ANGLES</td><td>±</td></tr> <tr><td>FINISH</td><td>-</td></tr> </table>		0 PLC	±0.50	1 PLC	±0.25	2 PLC	±0.13	3 PLC	±	4 PLC	±	ANGLES	±	FINISH	-	PRODUCT SPEC 108-32122	SIZE A2	
0 PLC	±0.50																	
1 PLC	±0.25																	
2 PLC	±0.13																	
3 PLC	±																	
4 PLC	±																	
ANGLES	±																	
FINISH	-																	
MATERIAL		APPLICATION SPEC 114-32157	DRAWING NO C-2306317															
		WEIGHT -	RESTRICTED TO -															
		CUSTOMER DRAWING	SCALE 5:1 SHEET 3 OF 4 REV A															

THIS DRAWING IS UNPUBLISHED. RELEASED FOR PUBLICATION  
 © COPYRIGHT copyright.d8te- ALL RIGHTS RESERVED.

REVISIONS				
P	LTR	DESCRIPTION	DATE	APVD
-	-	SEE SHEET 1	-	-



SEE 114-32157 FOR FOIL THICKNESS RANGE



THIS DRAWING IS A CONTROLLED DOCUMENT.		DWN RAVLS 13AUG2016	TE Connectivity	
DIMENSIONS: mm		CHK GINGRICH CHUCK 13AUG2016		
TOLERANCES UNLESS OTHERWISE SPECIFIED:		APVD GINGRICH CHUCK 13AUG2016	NAME PV EDGE ASSEMBLY, WITHOUT FLAP, OMEGA CLIP	
0 PLC ±0.50		PRODUCT SPEC	RESTRICTED TO	
1 PLC ±0.25		108-32122	-	
2 PLC ±0.13		APPLICATION SPEC	-	
3 PLC ±		114-32157	-	
4 PLC ±		WEIGHT	-	
ANGLES ±		CUSTOMER DRAWING	-	
FINISH -		SCALE 5:1	SHEET 4 OF 4	
MATERIAL		REV A	DRAWING NO C-2306317	