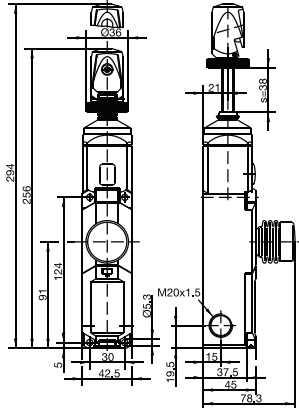


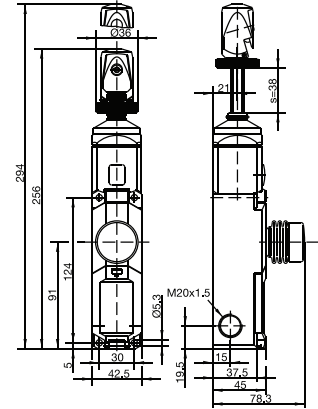
SR Series - Safety Rope Pull Switches



Quick Fix with E-Stop & Reset



Quick Fix with Reset Only



Max. span length

2 NC/2 NO

4 NO

2 NC/2 NO

4 NC

601.1629.067
SR-U2Z-NA-QF-100-L0-0-0

601.1691.077
SR-A4Z-NA-QF-100-L0-0-0

601.1629.070
SR-U2Z-0-QF-100-L0-0-0

601.1691.080
SR-A4Z-0-QF-100-L0-0-0

82 Ft. (25 Meters)

Replaces
601.1629.031
SR-U2Z-NA-QF 100

Replaces
601.1691.052
SR-A4Z-NA-QF 100

Replaces
601.1629.032
SR-U2Z-QF 100

Replaces
601.1691.049
SR-A4Z-QF 100

123 Ft. (37.5 Meters)

601.1629.068
SR-U2Z-NA-QF-175-L0-0-0

601.1691.078
SR-A4Z-NA-QF-175-L0-0-0

601.1629.071
SR-U2Z-0-QF-175-L0-0-0

601.1691.081
SR-A4Z-0-QF-175-L0-0-0

Replaces
601.1629.027
SR-U2Z-NA-QF 175

Replaces
601.1691.053
SR-A4Z-NA-QF 175

Replaces
601.1629.024
SR-U2Z-QF 175

Replaces
601.1691.050
SR-A4Z-QF 175

601.1629.069
SR-U2Z-NA-QF-300-L0-0-0

601.1691.079
SR-A4Z-NA-QF-300-L0-0-0

601.1629.072
SR-U2Z-0-QF-300-L0-0-0

601.1691.082
SR-A4Z-0-QF-300-L0-0-0

246 Ft. (75 Meters)

Replaces
601.1629.019
SR-U2Z-NA-QF 300

Replaces
601.1691.054
SR-A4Z-NA-QF 300

Replaces
601.1629.028
SR-U2Z-QF 300

Replaces
601.1691.051
SR-A4Z-QF 300

Approvals



Technical data

Electrical data		
Rated insulation voltage	U_i max.	250 V AC
Rated operating voltage	U_e max.	240 V
Conventional thermal current	I_{the}	10 A
Utilization category	U_e / I_e	AC-15, U_e / I_e 240 V / 3 A
Short-circuit protection		6 A gL/gG
Protection class		II, Insulated
Mechanical data		
Enclosure		PA 6 GV (UL94-V0)
Ambient temperature		-25°C to +70°C
Mechanical service life		100,000 Cycles
Switching frequency max.		≤ 20 / min.
Mounting		4 x M5
B10d		10,000
Type of connection		Cage clamp terminal
Conductor cross sections		≤ 1.5 - 2 mm ²
Cable entry		3 x M20 x 1.5
Protection class		IP67 conforming to IEC/EN 60529
Standards		
VDE 0660 T100, DIN EN 60947-1, IEC 60947-1		
VDE 0660 T200, DIN EN 60947-5-1, IEC 60947-5-1		
VDE 0660 T210, DIN EN 60947-5-5, IEC 60947-5-5		
ISO 13850		

Drawing dimensions in mm