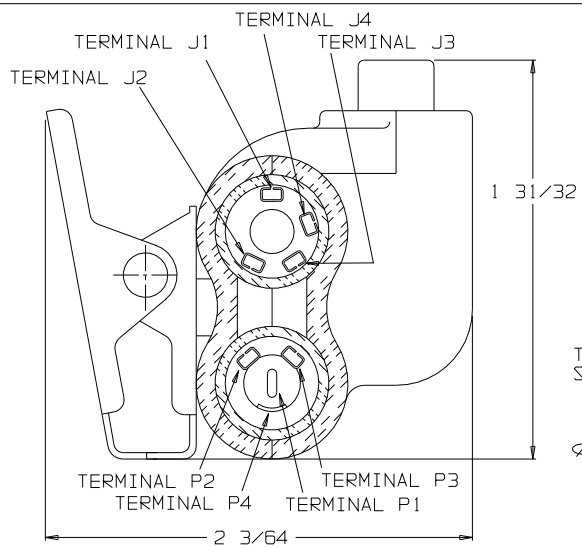
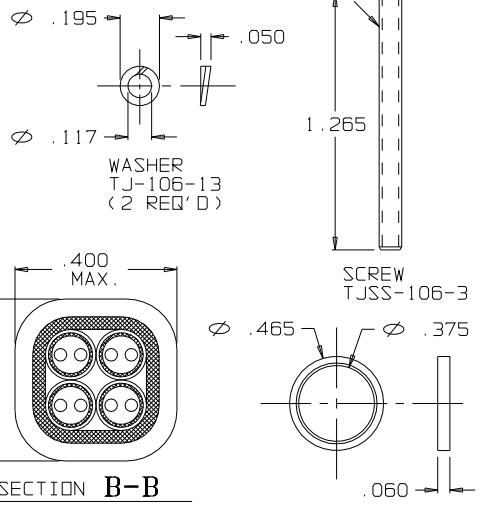
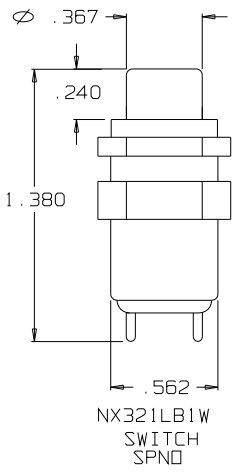
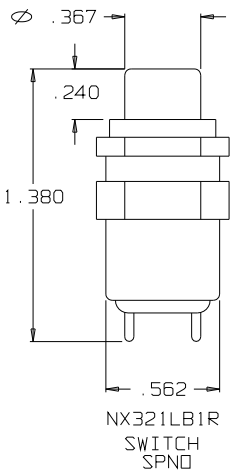
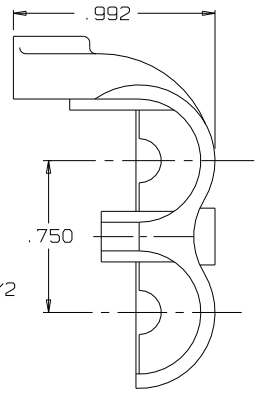
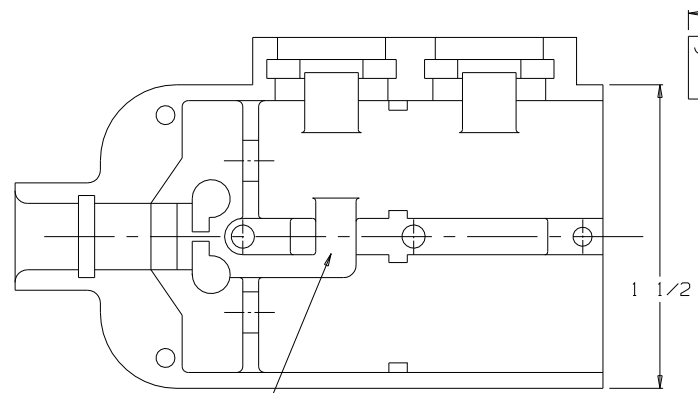
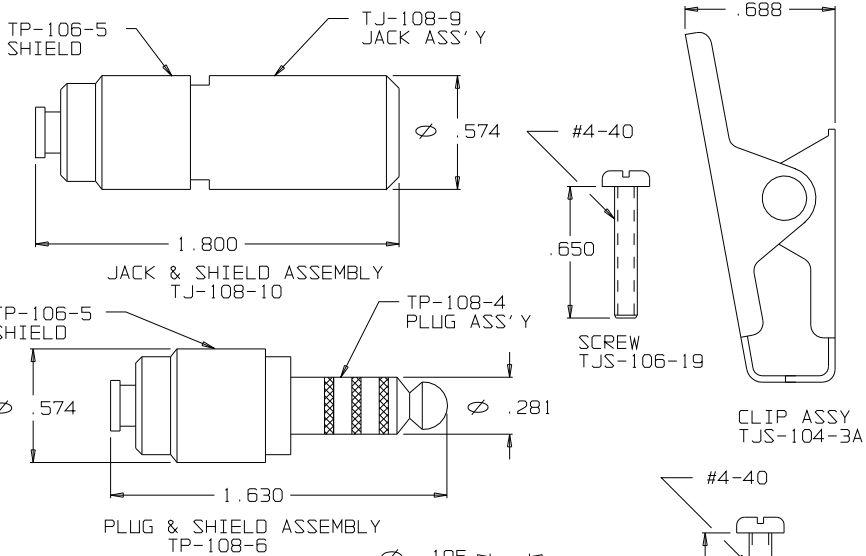


VIEW WITH HALF SHELL REMOVED



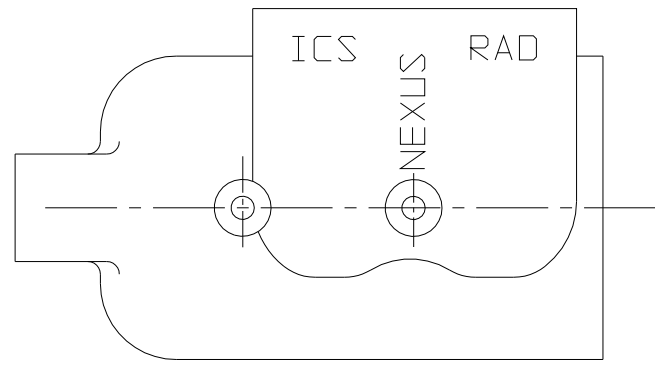
SECTION A-A

C TJSS-108SPS

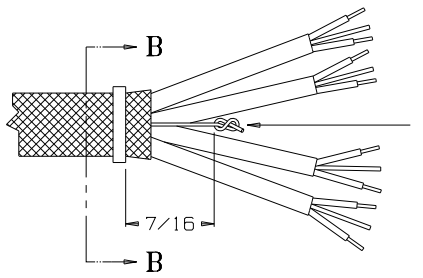


SECTION B-B
STRAIN RELIEF CLAMP TJSS-106-6 AFTER CRIMPING SCALE 4:1

RING, STRAIN RELIEF TJSS-106-6



SHELL, HALF TJSS-108-1



STAY CORD-VARNISH KNOT

THIS DOCUMENT CONTAINS PROPRIETARY INFORMATION OF NEXUS, INCORPORATED AND SUCH INFORMATION MAY NOT BE DISCLOSED TO OTHERS FOR ANY PURPOSE OR USED FOR ANY PURPOSE WITHOUT THE WRITTEN CONSENT OF NEXUS.

DWN. BY G. P. H.		DATE 4/8/10		MATERIAL _____	
CHECKED BY G. P. H.		DATE 4/9/10		FINISH _____	
APPR. BY G. P. H.		DATE 4/8/10		WEIGHT _____ SCALE NONE	
UNLESS OTHERWISE SPECIFIED DIMENSIONS ARE IN INCHES TOLERANCES ON FRACTIONS: DECIMALS ANGLES				TITLE JACK-TELEPHONE-BIAxIAL SHIELDED (8) CONDUCTOR WITH TWO SWITCHES	
B	CHG: 2-29/64 TO 2-29/32	175	5/3/13	HR	SIZE _____ DWG. NO. _____
A	INITIAL RELEASE	055	4/8/10	G.P.H.	
LET.	REVISION	CN #	DATE	CHK.	C TJSS-108SPS
			1/164	1/1.005	
				DO NOT SCALE DWG. SHEET 1 OF 1	