



Feature :

- DPST
- Two buttons in line
- Vertical PCB mount
- LED illuminated available

Applications :

- Office equipments
- Measuring instruments
- Audio, TV, VCRs
- Many types of electronic equipments

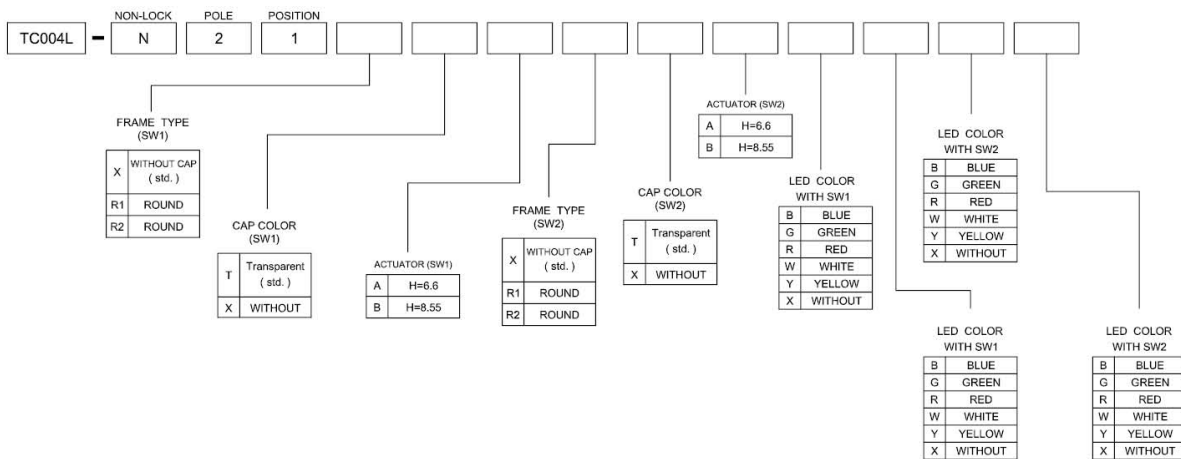


SWITCH SPECIFICATIONS	
POLE - POSITION	DPST
CONTACT RATING	12 V DC , 50 mA
CONTACT RESISTANCE	100 mΩ MAX. 5 V DC ; 1 A , by Method of Voltage DROP
INSULATION RESISTANCE	100 MΩ MIN. 100 V DC for 1 minute
DIELECTRIC STRENGTH	Breakdown is not Allowable ; 100 V AC for 1 Minute
OPERATING FORCE	160 ± 50 gf
OPERATING LIFE	500,000 cycles
OPERATING TEMPERATURE RANGE	-40°C ~ 85°C
TOTAL TRAVEL	0.25 ± 0.10 mm

ATTENTION LEDs are Electrostatic Sensitive devices (+) ( ) (-)	Unit	Value / LED Color						
		Blue	Pure Green	Red	Yellow	Orange	Green	White
LUMINOUS INTENSITY@20mA Iv	mcd	330	1600	4000	2700	900	650	300
Dominant Wavelength λD	nm	465	525	630	590	601	/	567
FORWARD VOLTAGE@20mA Vf	V	3.3	3.3	1.95	2	2.1	4	2.1

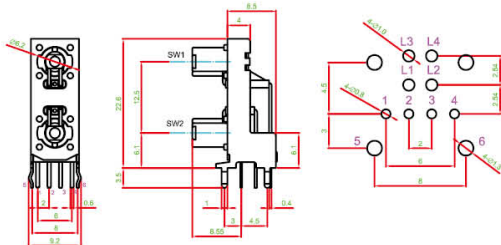
■ A single bin cannot be ordered, please contact us in advance if you need a particular bin sorting before placing your order to clarify the lead time, MOQ and pricing

## HOW TO ORDER

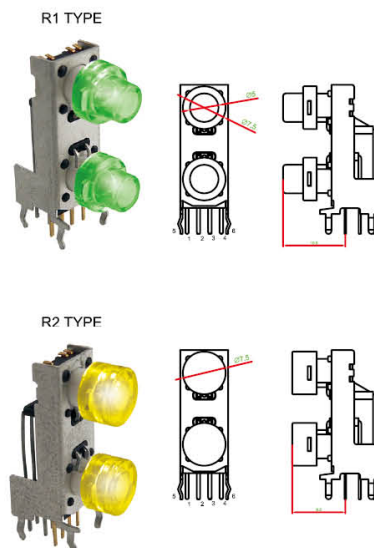


## DIMENSION

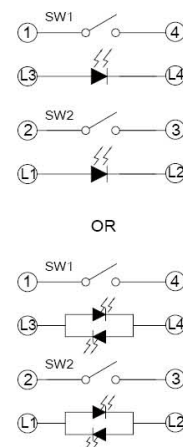
• TC004L-N21XXBXXB □□□□



## CAP TYPE



## CIRCUIT



TACT SWITCH  
PUSH BUTTON SWITCH  
LED TOUCH SENSOR SWITCH  
5 DIRECTION NAVIGATION SWITCH WITH LED  
MEMBRANE SWITCH  
LED LIGHT BAR  
SLIDE SWITCH  
ROTARY SWITCH  
ROCKER SWITCH  
DETECT SWITCH  
ENCODER  
INTERRUPTER  
MINIATURE MICRO SWITCH  
TELEPHONE HOOK SWITCH  
DOOR SWITCH  
MINI SIZE SOCKET  
KNOB  
CAP SYMBOL