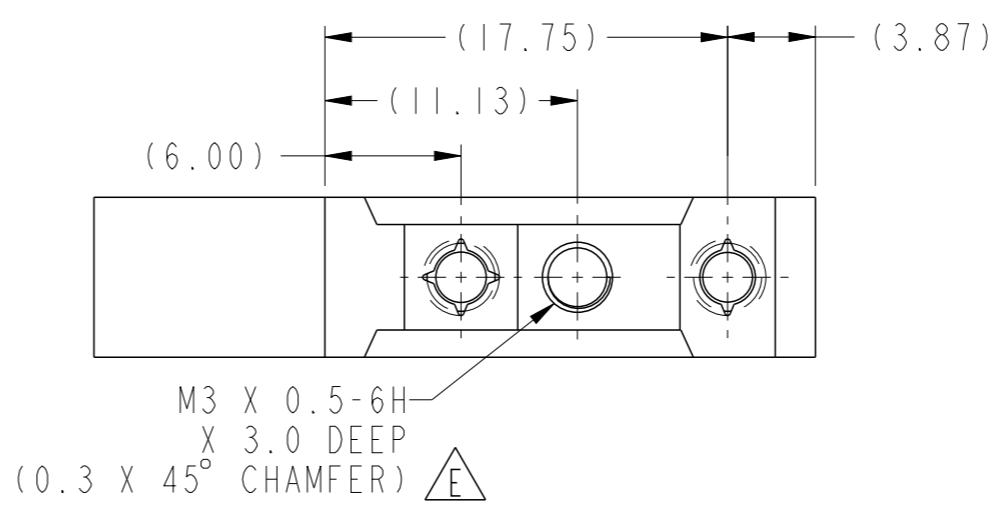
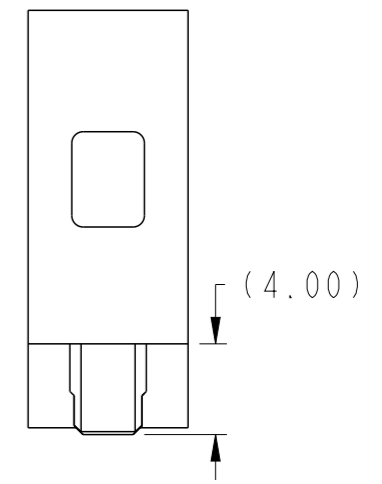
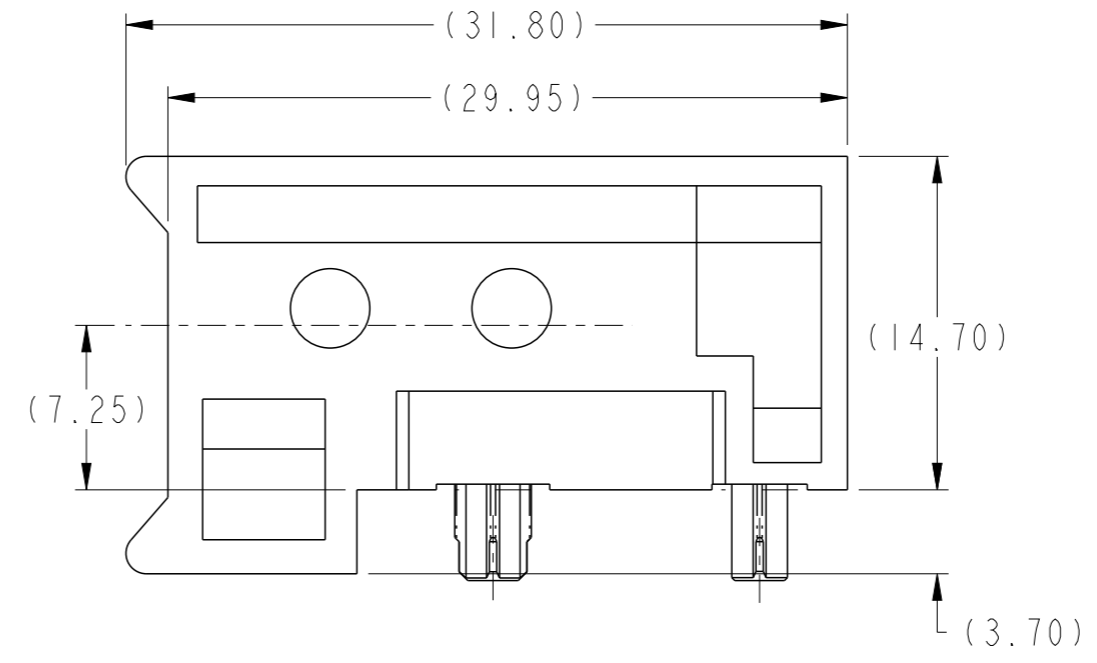
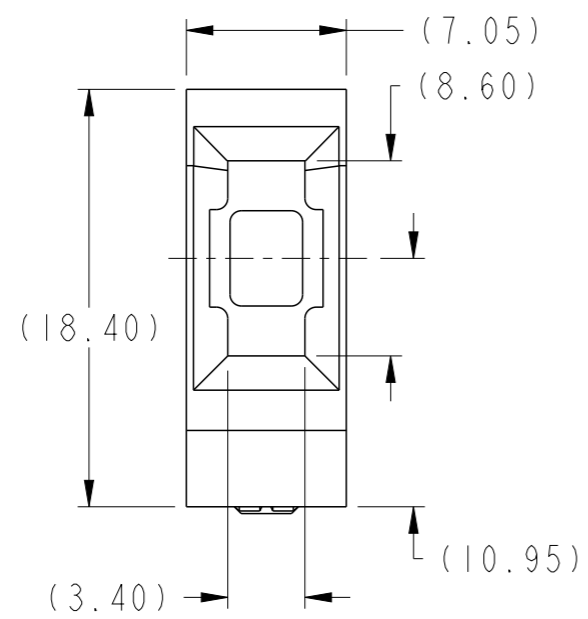


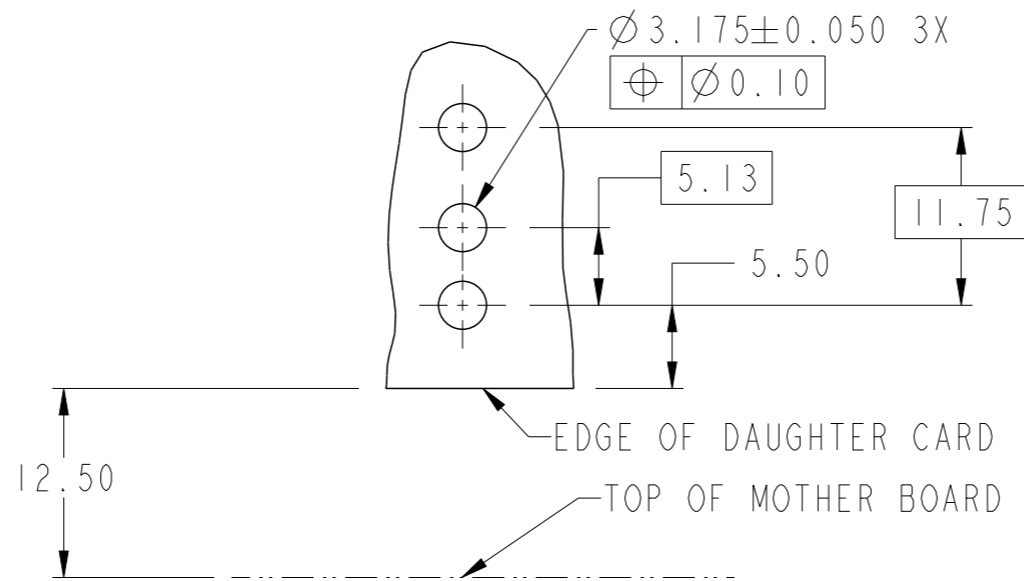
PRODUCT NUMBER
SEE TABLE, SHT 2



Copyright FCI.


spec ref		dr	Chen-Hong Tan	2005/08/17	projection	MM	size	A3	scale	3:1
tolerance std		eng	Yong-Keat Lim	2011/09/30			ecn no		ELX-S-006144-1	
ASME Y14.5		chr	-	-			rel level		Released	
TOLERANCES UNLESS OTHERWISE SPECIFIED		appr	Chen-Hong Tan	2011/10/07	product family		AirMax Accessories		rel level	
surface	3.20 linear	0.X	±.3			7.2mm GUIDE MODULE, RIGHT ANGLE		dwg no 10037909	rev	
		0.XX	±.10			E				
		0.XXX	±.050							
ASME Y14.5	angular	0°	±2°		www.fci.com	cat. no.	-	Product - Customer Drw		sheet 1 of 2

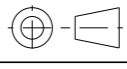
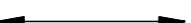

PRODUCT NUMBER
10037909-101LF



SCALE 2:1

RECOMMENDED PCB LAYOUT NOTE 4

1. MATERIAL: ZINC ALLOY
2. FINISH: ZINC YELLOW CHROMATE
3. APPLICATION SPECIFICATION: GS-20-045
- ④ REFER TO CUSTOMER DRAWING 10035911 FOR INFORMATION REGARDING PBC LAYOUT OF POWER AND GUIDE MODULES RELATIVE TO SIGNAL MODULES
5. THIS PRODUCT MEETS EUROPEAN UNION DIRECTIVES AND OTHER COUNTRY REGULATIONS AS DESCRIBED IN GS-22-008.
6. PACKAGING MEETS GS-14-920 LEAD FREE LABELING SPECIFICATION.
7. A  SYMBOL WILL BE NEXT TO ANY DIMENSION, VIEW OR NOTE WHICH HAS BEEN MODIFIED WITH THE CURRENT DRAWING REVISION.

spec ref		dr	Chen-Hong Tan	2005/08/17	projection	MM	size	A3	scale	2:1	
tolerance std		eng	Yong-Keat Lim	2011/09/30			ecn no		ELX-S-006144-1		
ASME Y14.5		chr	-	-			rel level		Released		
-		appr	Chen-Hong Tan	2011/10/07			product family		AirMax Accessories		
surface	3.20 linear	TOLERANCES UNLESS OTHERWISE SPECIFIED		www.fci.com		7.2mm GUIDE MODULE, RIGHT ANGLE		dwg no	10037909		
		0.X	±.3			cat. no.		Product - Customer Drw		rev	E
		0.XX	±.10								
		0.XXX	±.050								
ASME Y14.5	angular	0°	±2°	www.fci.com		-		Product - Customer Drw		sheet 2 of 2	



Copyright FCI.