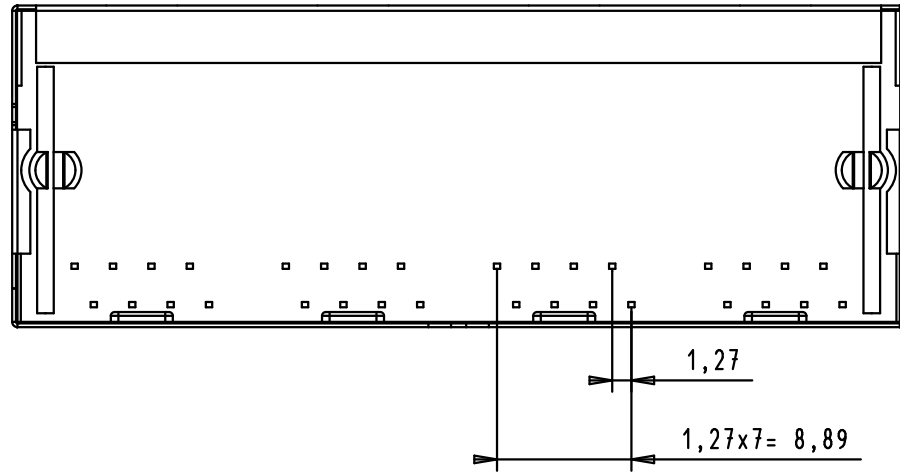
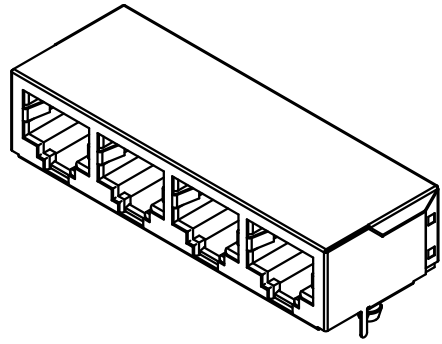
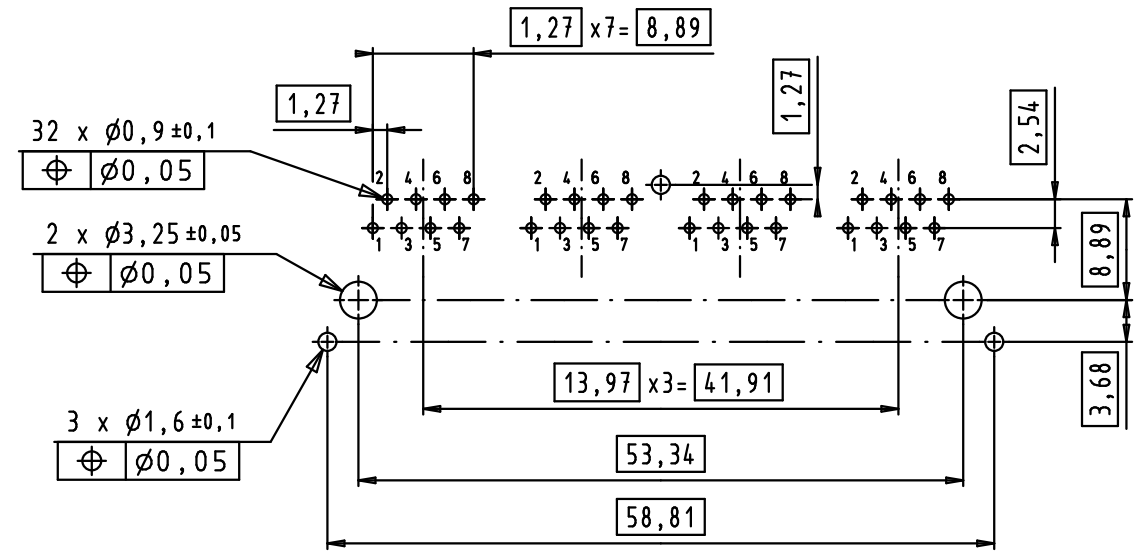


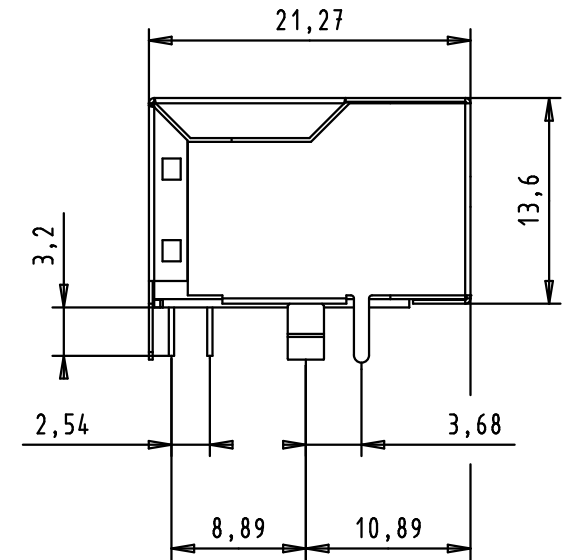
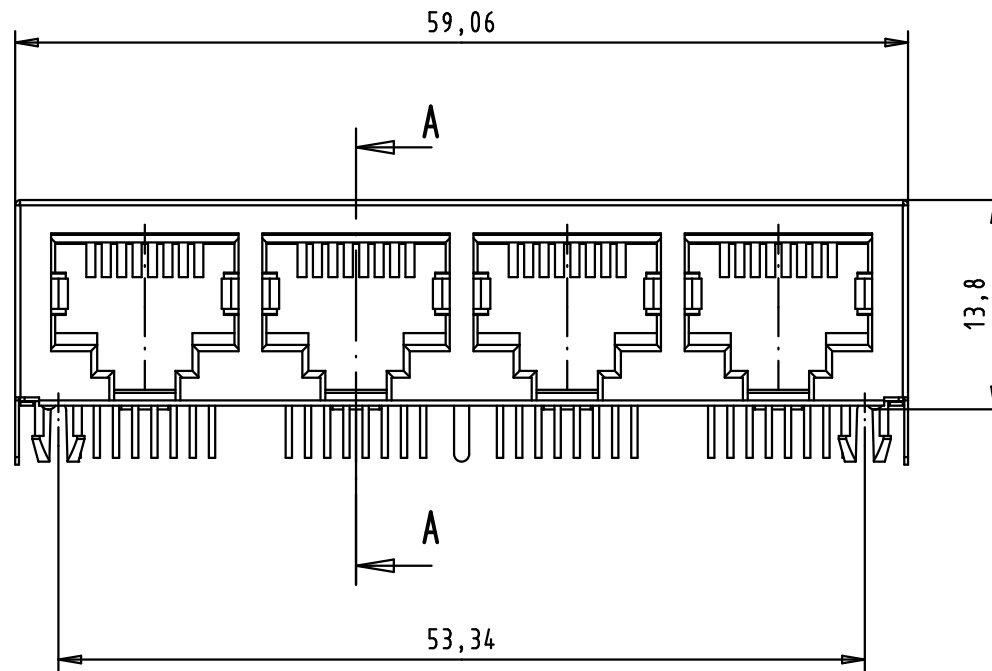
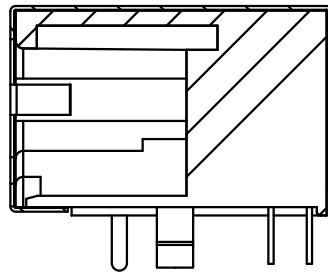
Alle Rechte vorbehalten/ All rights reserved




PCB layout, component side
PCB thickness up to 2,4mm



A-A



Material:
Shielding: brass plating nickel alloy
Insert: Thermoplastic, UL-94-V0, black
Contact: -Phosphor Bronze, selective gold plating
15µ" over nickel in contact area
-Tin plating over nickel in solder area

All Dimensions in mm Original Size DIN A 3			Techn. Character.			Nicht tolerierte Maßel Free size tolerances	
				Dat.	Name	Maßstab/Scale 2:1	HARTING RJ Industrial® 4-ports modular RJ 45 Jack with 4x8 signal solder pins and 3 grounding solder pins
			Detail.	09/DEC/11	BH		
			Insp.	09/DEC/11	JB		
			Stand.				
36299	20/04/12	SD	HARTING EURL F-95972 Paris				TB 09 45 551 1124
EC03766			Mod.	Dat.	Name		