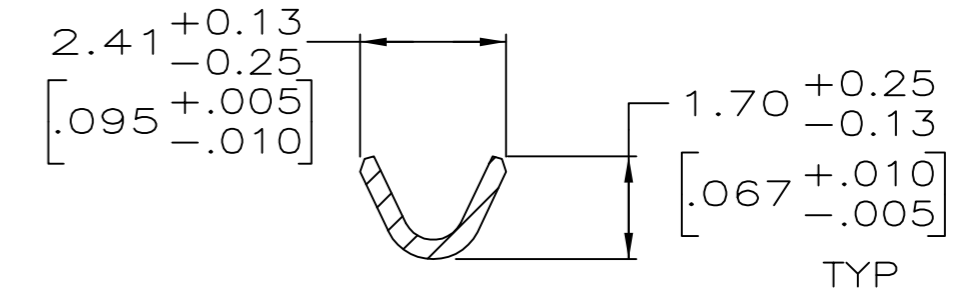
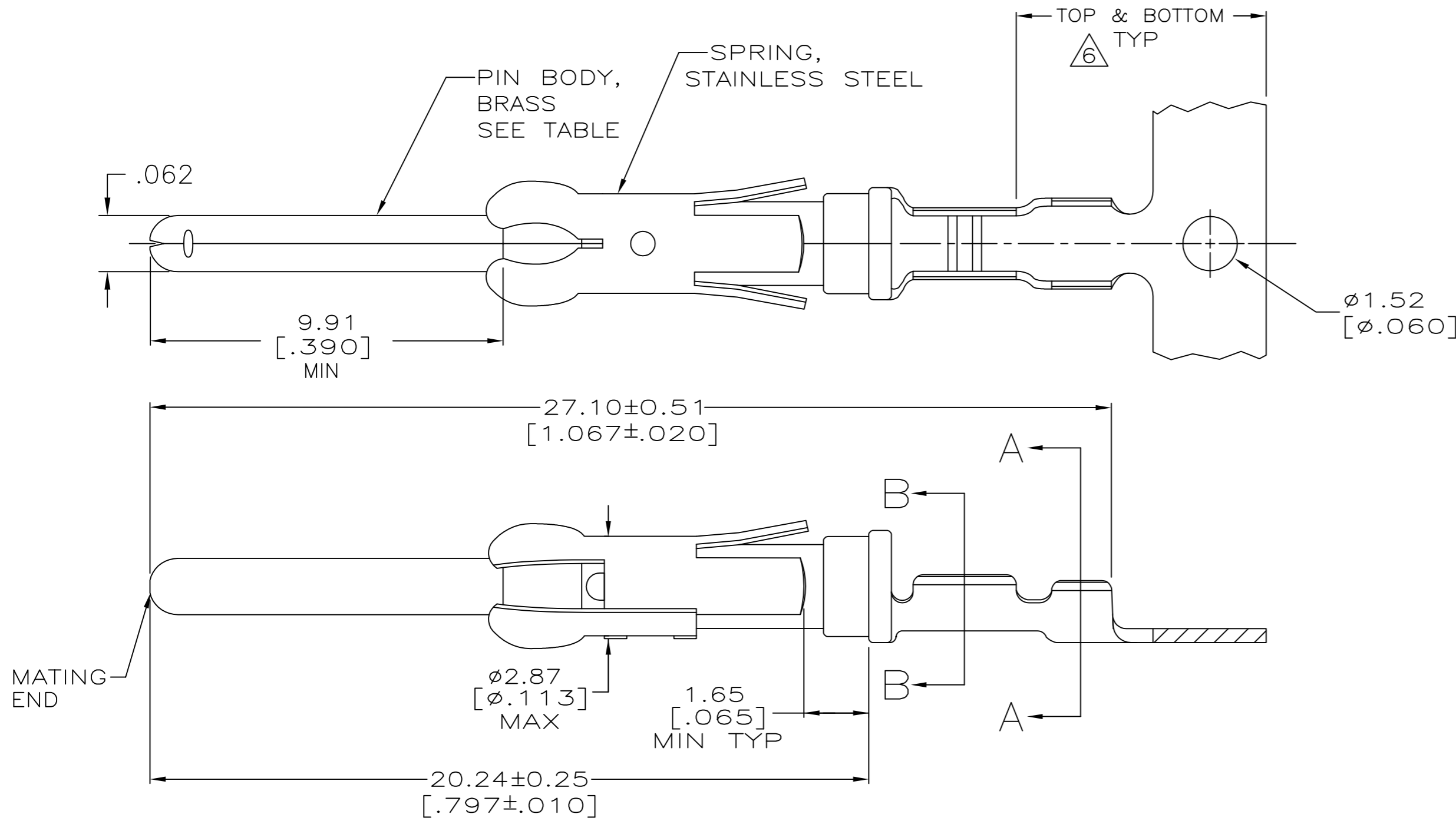
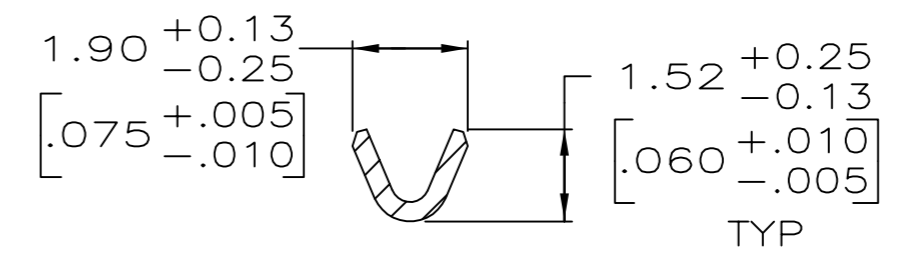


THIS DRAWING IS UNPUBLISHED. RELEASED FOR PUBLICATION
 © COPYRIGHT - By - ALL RIGHTS RESERVED.

| REVISIONS | | | | |
|-----------|-----|---------------------------|-----------|-------|
| P | LTR | DESCRIPTION | DATE | APVD |
| AH | | REVISED PER ECO-12-012316 | 05JUL12 | KH MZ |
| AJ | | REVISED PER ECO-16-017885 | 06OCT2017 | RS MZ |



SECTION A-A



SECTION B-B

- 1 REVERSE REELED FOR MINI-APPLICATOR.
- 2 0.76µm [.000030] MIN PRECIOUS METAL PLATE ON MATING END FOR A LENGTH OF 5.08 [.200] MIN WITH 1.27µm [.000050] MIN MATTE TIN PLATE IN WIRE CRIMP AREA, BOTH OVER 1.27µm [.000050] MIN NICKEL PLATE. CONFORMS TO THE REQUIREMENTS OF TE CONNECTIVITY PRODUCT SPEC 108-10042, BASED ON EIA/ECA-364-1000.01A (CONTROLLED ENVIRONMENT APPLICATIONS).
- 3 0.76µm [.000030] MIN PRECIOUS METAL PLATE ON MATING END FOR A LENGTH OF 5.08 [.200] MIN WITH A UNIFORM GRADIENT TO 0.25µm [.000010] ON REMAINDER, OVER 1.27µm [.000050] MIN NICKEL PLATE. GOLD FLASH ALL OVER. CONFORMS TO THE REQUIREMENTS OF TE CONNECTIVITY PRODUCT SPEC 108-10042, BASED ON EIA/ECA-364-1000.01A (CONTROLLED ENVIRONMENT APPLICATIONS).
- 4 0.38µm [.000015] MIN GOLD PER MIL-G-45204 ON MATING END FOR A LENGTH OF 5.08 [.200] MIN WITH 1.27µm [.000050] MATTE TIN PATE IN WIRE CRIMP AREA, BOTH OVER 1.27µm [.000050] MIN NICKEL PER QQ-N-290.
- 5 1.27µm [.000050] MIN GOLD PER MIL-G-45204 ON MATING END FOR A LENGTH OF 5.08 [.200] MIN WITH GOLD FLASH ON THE REMAINDER OVER 1.90µm [.000075] MIN NICKEL PER QQ-N-290.
- 6 GOLD PLATING NEED NOT APPEAR IN THIS AREA EXCEPT 1-66106-2 REQUIRES GOLD PLATING ON INSULATION BARREL.
- 7 1.27µm [.000050] MIN TIN-LEAD PER MIL-T-10727 OVER 1.27µm [.000050] MIN NICKEL PER QQ-N-290.
- 8. WIRE RANGE 26-24 AWG.
- 9. INSULATION RANGE 0.89[.035]-1.40[.055] DIA.
- 10 0.38µm [.000015] MIN GOLD PER MIL-G-45204 ON MATING END FOR A LENGTH OF 5.08 [.200] MIN, 1.27µm [.000050] MIN TIN-LEAD PER MIL-T-10727 FOR A LENGTH OF 5.69 [.224] MIN ON OPPOSITE END, BOTH OVER 1.27µm [.000050] MIN NICKEL PER QQ-N-290 ON ENTIRE CONTACT.
- 11 1.27µm [.000050] MIN TIN PER MIL-T-10727 OVER 1.27µm [.000050] MIN NICKEL PER QQ-N-290.
- 12 0.38µm [.000015] MIN GOLD PER MIL-G-45204 ON MATING END FOR A LENGTH OF 5.08 [.200] MIN 1.27µm [.000050] MIN TIN PER MIL-T-10727 FOR A LENGTH OF 5.69 [.224] MIN ON OPPOSITE END. BOTH OVER 1.27µm [.000050] MIN NICKEL PER QQ-N-290 ON ENTIRE CONTACT.

13 OBSOLETE PARTS: OBSOLETE CIS STREAMLINING PER D.RENAUD/D.SINISI

| | | | | | |
|----|----------|----------|-----------------|-----------------|-----------|
| 13 | OBSOLETE | 1 | 12 | - | 1-66106-7 |
| | OBSOLETE | STANDARD | 11 | 1-66107-1 | 1-66106-6 |
| | OBSOLETE | 1 | 10 | 66107-8 | 1-66106-5 |
| | OBSOLETE | 1 | 5 | 66107-7 | 1-66106-4 |
| | | 1 | 2 | 66107-4 | 66106-8 |
| | | 1 | 4 | 66107-3 | 66106-7 |
| | OBSOLETE | 1 | 7 | 66107-2 | 66106-6 |
| | | 1 | 3 | 66107-1 | 66106-5 |
| | | STANDARD | 2 | 66107-4 | 66106-4 |
| | | STANDARD | 4 | 66107-3 | 66106-3 |
| | | STANDARD | 7 | 66107-2 | 66106-2 |
| | OBSOLETE | STANDARD | 3 | 66107-1 | 66106-1 |
| | | REELING | P/N BODY FINISH | LOOSE PIECE REF | PART NO |

| | | | | |
|--|--|------------------------|---|--|
| THIS DRAWING IS A CONTROLLED DOCUMENT. | | DWN R.SHIREY 7-17-91 | TE Connectivity | |
| DIMENSIONS: mm [INCHES] | | CHK R.STONE 8-15-91 | | |
| TOLERANCES UNLESS OTHERWISE SPECIFIED: | | APVD J.WESTMAN 8-19-91 | NAME | |
| 0 PLC ± - | | PRODUCT SPEC | PIN ASSEMBLY, .062, TYPE III+ | |
| 1 PLC ± - | | APPLICATION SPEC | SIZE CAGE CODE DRAWING NO RESTRICTED TO | |
| 2 PLC ± 0.13[.005] | | | A2 00779 C=66106 | |
| 3 PLC ± - | | | SCALE 8:1 SHEET 1 of 1 REV AJ | |
| 4 PLC ± - | | | | |
| ANGLES ± - | | | | |
| FINISH | | WEIGHT - | | |
| SEE CALLOUTS | | CUSTOMER DRAWING | | |