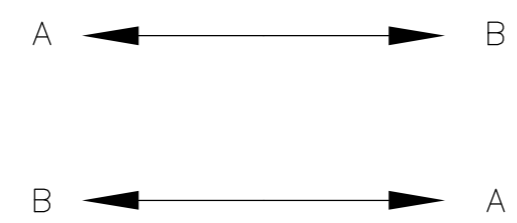
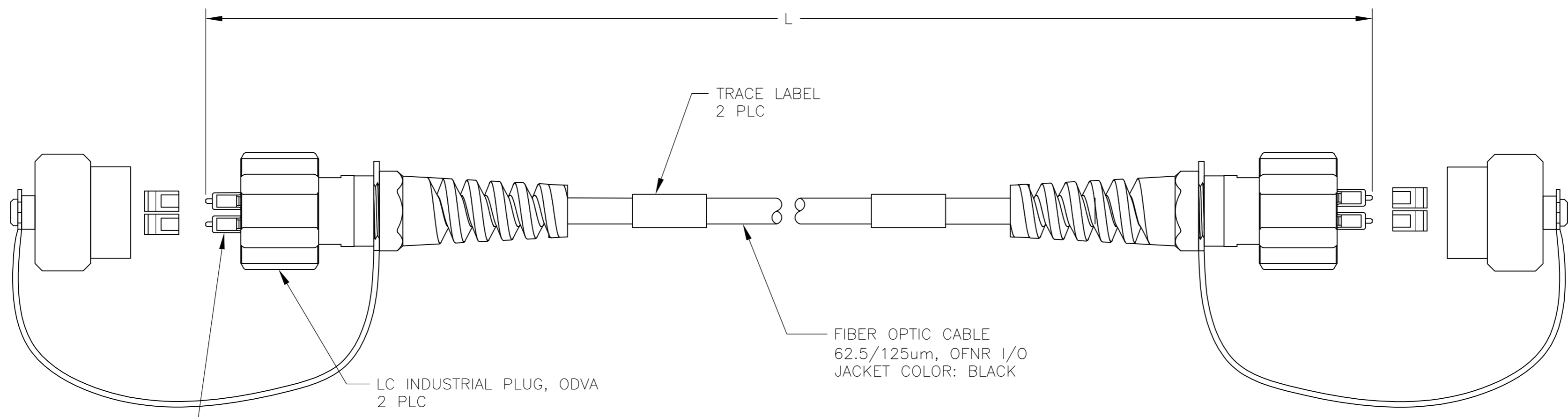


THIS DRAWING IS UNPUBLISHED. RELEASED FOR PUBLICATION
 © COPYRIGHT - By - ALL RIGHTS RESERVED.

LOC	DIST	REVISIONS			
P	LTR	DESCRIPTION	DATE	DWN	APVD
CE	16	E	ECR-14-011707	13AUG2014	HZ RZ

1. MAXIMUM CONNECTOR INSERTION LOSS IS 0.5dB PLUS CABLE ATTENUATION OF 1.5dB/km AT 1300nm. MEASURE AGAINST A REFERENCE LEAD
2. TEST DATA PROVIDED WITH EACH ASSEMBLY.
3. PRODUCT AND PROCESSING MUST MEET REQUIREMENTS OF TYCO ELECTRONICS STANDARD 230-702.



FIBER PATH

THIS DRAWING IS A CONTROLLED DOCUMENT.		DWN J.W.DAVIS 01NOV05	STE TE Connectivity															
DIMENSIONS: METERS [INCHES]		CHK J.DUNCAN 01NOV05																
TOLERANCES UNLESS OTHERWISE SPECIFIED:		APVD F.McCORKEL 01NOV05	NAME CABLE ASSEMBLY, FIBER OPTIC, 62.5/125, 2 FIBER BREAKOUT, SEALED LC DUPLEX (ODVA), BOTH ENDS															
<table border="1"> <tr><td>0 PLC</td><td>± -</td></tr> <tr><td>1 PLC</td><td>± -</td></tr> <tr><td>2 PLC</td><td>± -</td></tr> <tr><td>3 PLC</td><td>± -</td></tr> <tr><td>4 PLC</td><td>± -</td></tr> <tr><td>ANGLES</td><td>± -</td></tr> </table>		0 PLC	± -	1 PLC	± -	2 PLC	± -	3 PLC	± -	4 PLC	± -	ANGLES	± -	PRODUCT SPEC -	SIZE A2	CAGE CODE 00779	DRAWING NO 1828935	RESTRICTED TO -
0 PLC	± -																	
1 PLC	± -																	
2 PLC	± -																	
3 PLC	± -																	
4 PLC	± -																	
ANGLES	± -																	
MATERIAL -		FINISH -	WEIGHT -	CUSTOMER DRAWING		SCALE NTS	SHEET 1 of 2	REV E										


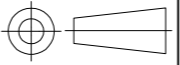
1828935

THIS DRAWING IS UNPUBLISHED. RELEASED FOR PUBLICATION
 © COPYRIGHT - By - ALL RIGHTS RESERVED.

LOC	DIST	REVISIONS					
		P	LTR	DESCRIPTION	DATE	DWN	APVD
CE	16	-	-	SEE SHEET 1	-	-	-

MAX IL (dB)	L METERS [INCHES]	PART NUMBER
1.25	500.00±5.00 [19685.0±197.0]	8-1828935-2
0.62	85.00±0.85 [3346±33]	8-1828935-1
0.65	100.00±1.00 [3937±39]	8-1828935-0
0.56	40.00±0.40 [1575±16]	4-1828935-0
0.56	39.00±0.39 [1535±15]	3-1828935-9
0.56	38.00±0.38 [1496±15]	3-1828935-8
0.56	37.00±0.37 [1457±15]	3-1828935-7
0.55	36.00±0.36 [1417±14]	3-1828935-6
0.55	35.00±0.35 [1378±14]	3-1828935-5
0.55	34.00±0.34 [1339±13]	3-1828935-4
0.55	33.00±0.33 [1299±13]	3-1828935-3
0.55	32.00±0.32 [1260±13]	3-1828935-2
0.55	31.00±0.30 [1220±12]	3-1828935-1
0.54	30.00±0.30 [1181±12]	3-1828935-0
0.54	29.00±0.30 [1141.7±12.0]	2-1828935-9
0.54	28.00±0.30 [1102.4±12.0]	2-1828935-8
0.54	27.00±0.30 [1063.0±12.0]	2-1828935-7
0.54	26.00±0.30 [1023.6±12.0]	2-1828935-6
0.54	25.00±0.30 [984.2±12.0]	2-1828935-5
0.54	24.00±0.30 [944.9±12.0]	2-1828935-4
0.53	23.00±0.30 [905.5±12.0]	2-1828935-3
0.53	22.00±0.30 [866.1±12.0]	2-1828935-2
0.53	21.00±0.30 [826.8±12.0]	2-1828935-1
0.53	20.00±0.30 [787.4±12.0]	2-1828935-0
0.53	19.00±0.30 [748.0±12.0]	1-1828935-9
0.53	18.00±0.30 [708.7±12.0]	1-1828935-8
0.53	17.00±0.30 [669.3±12.0]	1-1828935-7
0.52	16.00±0.30 [629.9±12.0]	1-1828935-6
0.52	15.00±0.30 [590.6±12.0]	1-1828935-5
0.52	14.00±0.15 [551.2±6.0]	1-1828935-4
0.52	13.00±0.15 [511.8±6.0]	1-1828935-3
0.52	12.00±0.15 [472.4±6.0]	1-1828935-2
0.52	11.00±0.15 [433.1±6.0]	1-1828935-1
0.52	10.00±0.15 [393.7±6.0]	1-1828935-0
0.51	9.00±0.15 [354.3±6.0]	1828935-9
0.51	8.00±0.08 [315.0±3.0]	1828935-8
0.51	7.00±0.08 [275.6±3.0]	1828935-7
0.51	6.00±0.08 [236.2±3.0]	1828935-6
0.51	5.00±0.08 [196.8±3.0]	1828935-5
0.51	4.00±0.05 [118.1±2.0]	1828935-4
0.50	3.00±0.05 [118.1±2.0]	1828935-3
0.50	2.00±0.05 [78.7±2.0]	1828935-2
0.50	1.00±0.05 [39.4±2.0]	1828935-1

MAX IL (dB)	L METERS [INCHES]	PART NUMBER
-------------	-------------------	-------------

THIS DRAWING IS A CONTROLLED DOCUMENT.		DWN J.W.DAVIS 01NOV05	 TE Connectivity	
DIMENSIONS: METERS [INCHES]		CHK J.DUNCAN 01NOV05		
TOLERANCES UNLESS OTHERWISE SPECIFIED:		APVD F.McCORKEL 01NOV05	NAME CABLE ASSEMBLY, FIBER OPTIC, 62.5/125, 2 FIBER BREAKOUT, SEALED LC DUPLEX (ODVA), BOTH ENDS	
		PRODUCT SPEC -	RESTRICTED TO -	
MATERIAL -		FINISH -	APPLICATION SPEC -	SIZE A2
		WEIGHT -	CAGE CODE 00779	DRAWING NO 1828935
CUSTOMER DRAWING			SCALE NTS	SHEET 2 OF 2
			REV E	