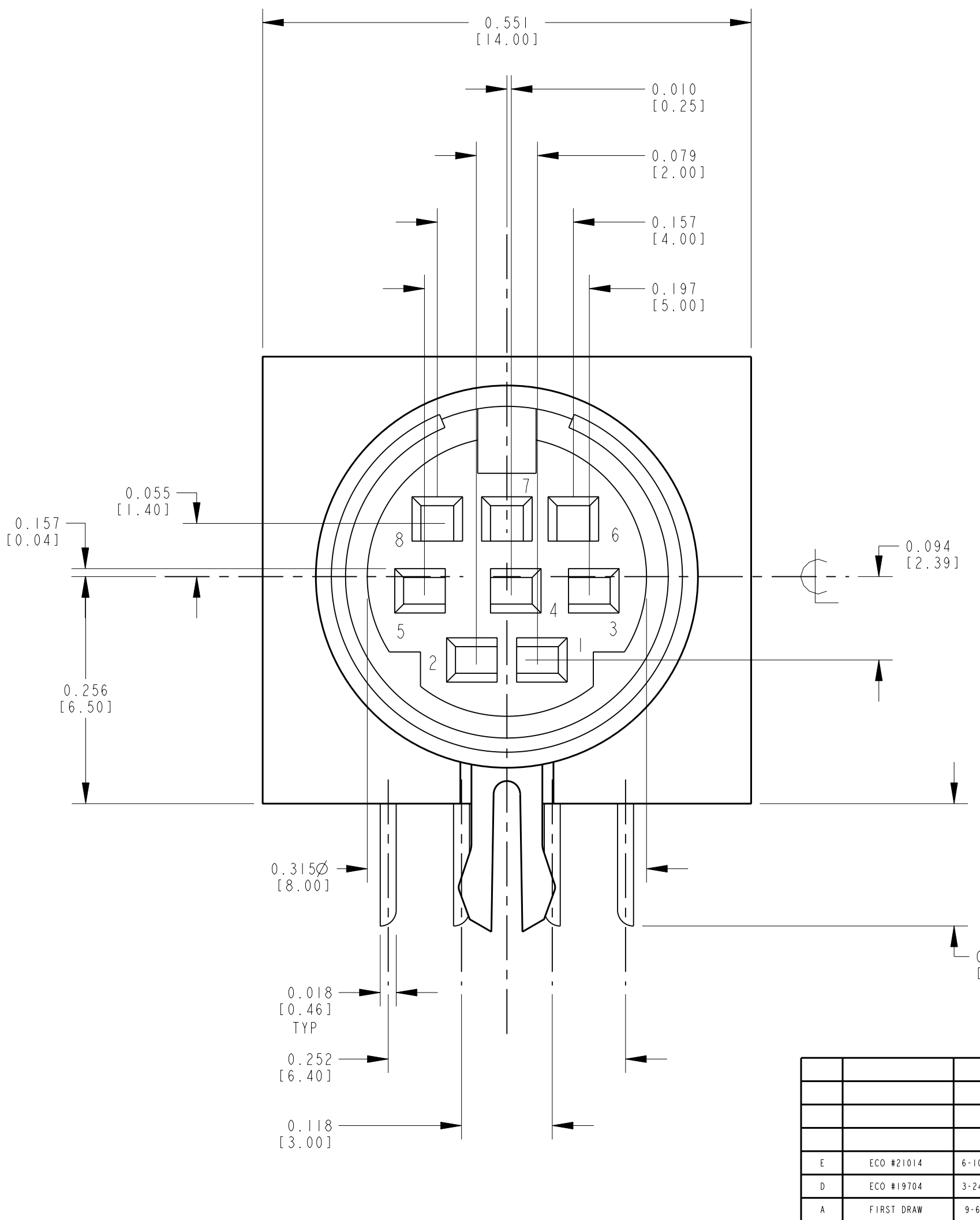
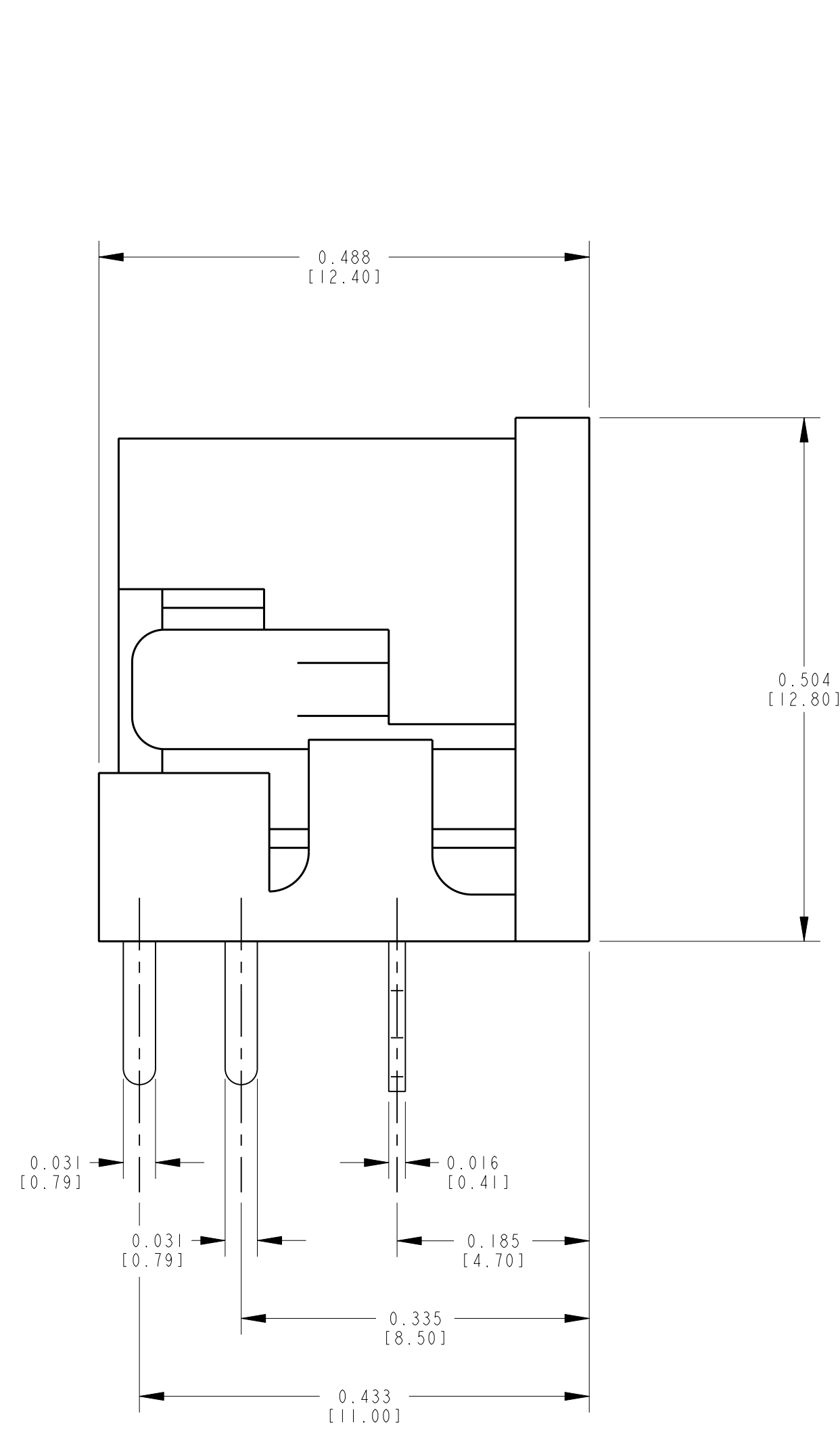


SWITCHCRAFT CATALOG PART NUMBER

| | | | | | | | | | | | |
|---|-------------|---|-------------|---|-------------|---|-------------|---|-------------|---|-------------|
| SILVER PLATED CONTACT | S-MD3FRA120 | SILVER PLATED CONTACT | S-MD4FRA120 | SILVER PLATED CONTACT | S-MD5FRA120 | SILVER PLATED CONTACT | S-MD6FRA120 | SILVER PLATED CONTACT | S-MD7FRA120 | SILVER PLATED CONTACT | S-MD8FRA120 |
| <p>FRONT FACE OF CONTACTS</p> | | <p>FRONT FACE OF CONTACTS</p> | | <p>FRONT FACE OF CONTACTS</p> | | <p>FRONT FACE OF CONTACTS</p> | | <p>FRONT FACE OF CONTACTS</p> | | <p>FRONT FACE OF CONTACTS</p> | |
| <p>RECOMMENDED P.C. BOARD LAYOUT (SOLDER SIDE) SCALE: 1: .375</p> | | <p>RECOMMENDED P.C. BOARD LAYOUT (SOLDER SIDE) SCALE: 1: .375</p> | | <p>RECOMMENDED P.C. BOARD LAYOUT (SOLDER SIDE) SCALE: 1: .375</p> | | <p>RECOMMENDED P.C. BOARD LAYOUT (SOLDER SIDE) SCALE: 1: .375</p> | | <p>RECOMMENDED P.C. BOARD LAYOUT (SOLDER SIDE) SCALE: 1: .375</p> | | <p>RECOMMENDED P.C. BOARD LAYOUT (SOLDER SIDE) SCALE: 1: .375</p> | |



CURRENT CARRYING CAPACITY

| |
|---|
| 1A, 100V AC |
| 2A, 12V DC |
| INSULATION RESISTANCE: 50M Ω MIN |
| DIELECTRIC STRENGTH: 250V DC/1 MINUTE |
| CONTACT RESISTANCE: 30m Ω MAX I |
| INSERTION FORCE: 0.8-5 KG / 1.76-11.1b |
| EXTRACTION FORCE: 0.8-4 KG / 1.76-8.81b |

CUSTOMER DRAWING
CAD/CAM DWG. NO.
SMD3-SMD8FRA120_CD
SHEET 1 OF 1

| | | | |
|---|--|--|--|
| STAR SYMBOL DENOTES CRITICAL DIMENSION. SEE SPC ENGINEERING STANDARD ES-0001. THIS DRAWING DESCRIBES A DESIGN CONSIDERED PROPRIETARY IN NATURE, DEVELOPED AND MANUFACTURED BY SWITCHCRAFT INC. AND IS RELEASED ON A CONFIDENTIAL BASIS FOR IDENTIFICATION PURPOSE ONLY. | | UNLESS OTHERWISE SPECIFIED: FINISH: SILVER PLATE; MATERIAL: SPC. NO. | |
| 1. ALL DIMENSIONS IN INCHES 2. DECIMAL DIMENSIONS \pm .005 3. FRACTIONAL DIMENSIONS \pm 1/64 4. ANGLES \neq 12° 5. ALL DIA'S CONCENTRIC WITHIN .005 T.I.R. 6. REMOVE ALL BURRS 7. MAKE NO DIMENSIONAL ALLOWANCES FOR APPLIED FINISHES, I.E.: PLATING, PAINTING, ETC. 8. HOLES ON THE SAME CENTERLINE MUST BE ALIGNED WITHIN \pm .002 | | SCALE: NTS DATE DRAWN: 9-6-90 BY: SG CHK'D: EB APP'D: DV 10-10-90 | |
| REVISIONS: ISSUE, CHANGE NO., DATE, BY, APP'D | | NAME: MINI DIN PART NO: SMD3/SMD8FRA120 ISSUE: E | |

DO NOT SCALE DRAWING

Mouser Electronics

Authorized Distributor

Click to View Pricing, Inventory, Delivery & Lifecycle Information:

[Switchcraft:](#)

[SMD4FRA120](#) [SMD3FRA120](#) [SMD5FRA120](#) [SMD6FRA120](#) [SMD7FRA120](#) [SMD8FRA120](#)