

RED INDICATES ORIGINAL

DWG SIZE
D

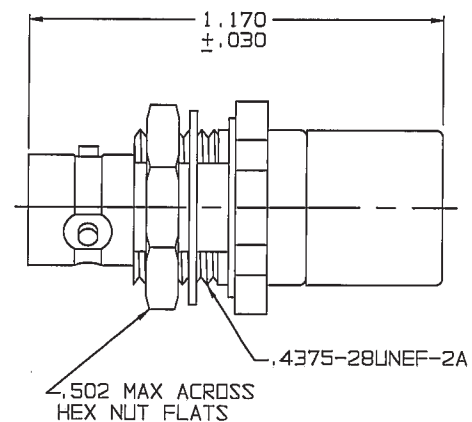
DATA CONTAINED IN THIS DOCUMENT IS PROPRIETARY TO TROMPETER ELECTRONICS INC. AND SHALL NOT BE DISCLOSED, COPIED OR USED FOR PROCUREMENT OR MANUFACTURE WITHOUT EXPRESS WRITTEN PERMISSION.

| REVISIONS | | | 305-0590 | SH 1C |
|-----------|-------|--|----------|--------------------|
| REV | ECO | DESCRIPTION | DWN | APPROVED |
| 0 | 13428 | CHANGE ITEM 4; FROM: 8-1525 TO: 8-1525-1 AND ITEM 7; FROM: 8-2218 TO 8-2218-1; SEE ECO | DKC | <i>[Signature]</i> |
| | | | | 6/13/00 |

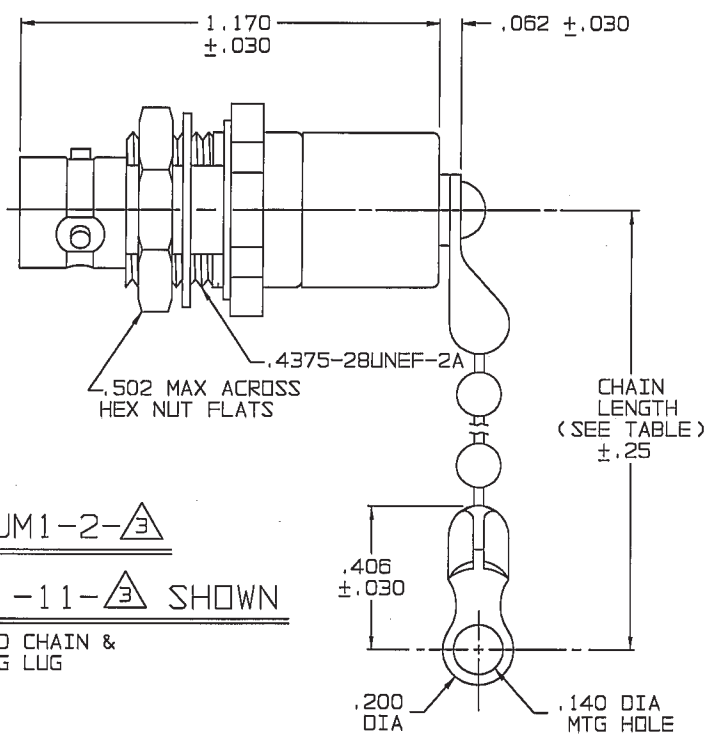
| DASH NO | DESCRIPTION | DASH NO | DESCRIPTION |
|---------|---------------------------|---------|----------------------------|
| -1 | TERM (NO CHAIN) | -8 | TERM WITH 4.0 BRASS CHAIN |
| -2 | TERM WITH 2.5 BRASS CHAIN | -9 | TERM WITH 4.0 NYLON CHAIN |
| -3 | TERM WITH 2.5 NYLON CHAIN | -10 | TERM WITH 10.0 BRASS CHAIN |
| -4 | TERM WITH 3.0 BRASS CHAIN | -11 | TERM WITH 10.0 NYLON CHAIN |
| -5 | TERM WITH 3.0 NYLON CHAIN | -12 | TERM WITH 2.5 SST ROPE |
| -6 | TERM WITH 6.0 BRASS CHAIN | -13 | TERM WITH 3.0 SST ROPE |
| -7 | TERM WITH 6.0 BRASS CHAIN | -14 | TERM WITH 6.0 SST ROPE |

| MODEL NO | TYPE |
|-----------|----------|
| TNGBJM1 | 3-LUG |
| TNTBJM1 | THREADED |
| TNGBJMFL1 | 4-LUG |

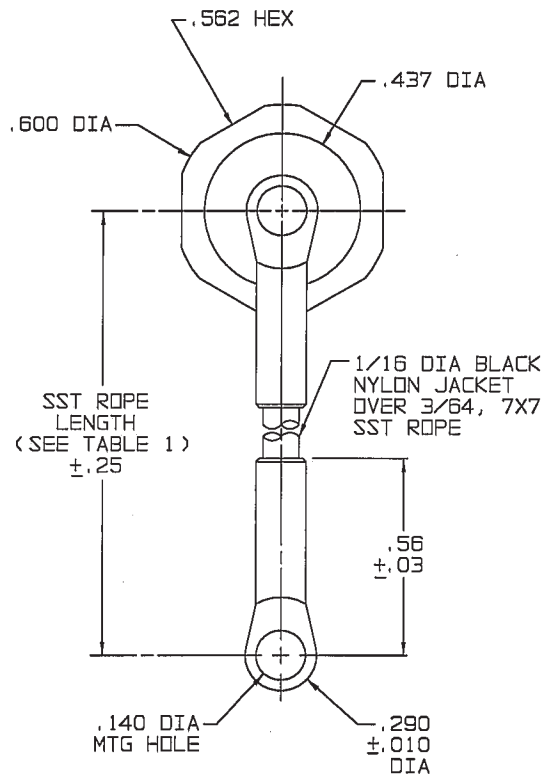
| DASH NO | "A" DIA | "B" DIA | "C" DIM |
|---------|---------|---------|---------|
| -D2 | .630 | .750 | 1.066 |
| -D3 | .505 | .625 | .941 |
| -D4 | .439 | .562 | .878 |
| -D5 | .380 | .500 | .816 |
| -D6 | .317 | .437 | .753 |
| -D7 | .281 | .406 | .722 |
| -D8 | .610 | .750 | 1.066 |
| -D9 | .567 | .687 | 1.003 |



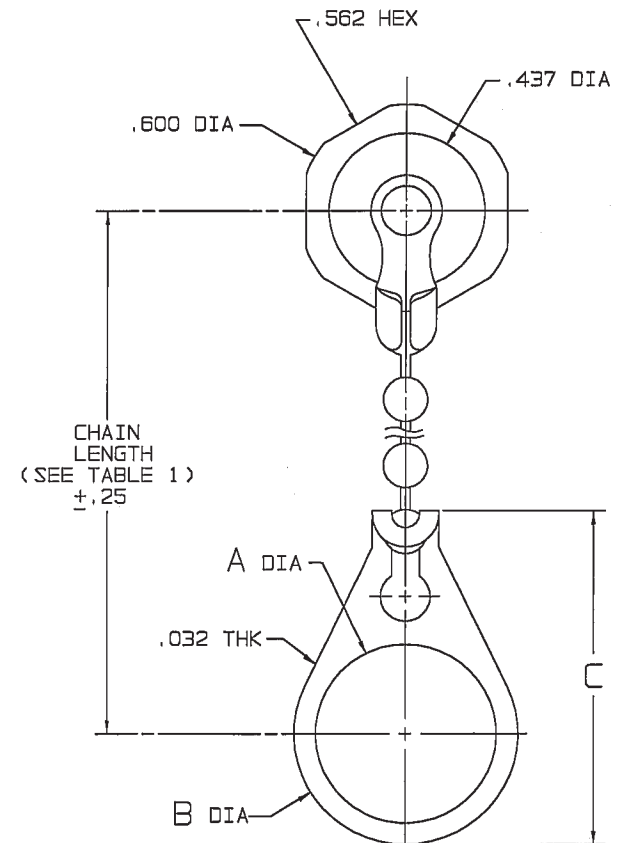
TNGBJM1-1- Δ SHOWN
NO CHAIN/ROPE OR MOUNTING LUG



TNGBJM1-2- Δ
THRU -11- Δ SHOWN
STANDARD CHAIN & MOUNTING LUG

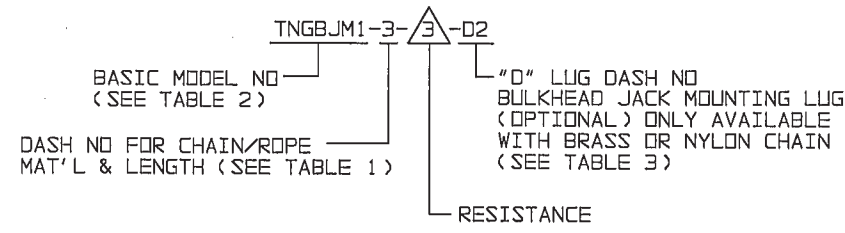


TNGBJM1-12- Δ
THRU -14- Δ SHOWN
STAINLESS STEEL ROPE AND MOUNTING LUG



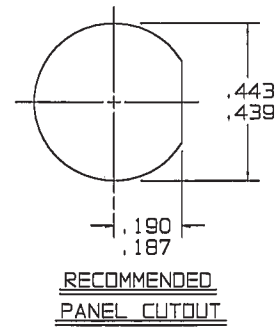
TNGBJM1-2- Δ -D2
THRU -11- Δ -D9 SHOWN
STANDARD CHAIN AND BULKHEAD JACK MOUNTING LUG

- MAXIMUM PANEL THICKNESS .187
- SOCKET CONTACT TRS SERIES CONCENTRIC TWINAX/TRIAX 3/4 -LUG/THREADED SUBMINIATURE TERMINATED BULKHEAD JACK
- EXAMPLE OF COMPLETE MODEL NO:

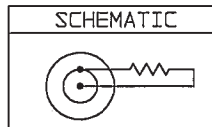


- RESISTANCE VALUE IN OHMS 1/8, 1%
- FINISH: TFS-1A (NICKEL)
- ALL DIM ARE IN INCHES

| INCH | MM | INCH | MM | INCH | MM | INCH | MM | INCH | MM |
|------|------|------|-------|------|-------|-------|-------|------|--------|
| .005 | 0.13 | .281 | 7.14 | .505 | 12.83 | .750 | 19.05 | 4.0 | 101.60 |
| .010 | 0.25 | .290 | 7.37 | .56 | 14.22 | .753 | 19.13 | 6.0 | 152.40 |
| .030 | 0.76 | .317 | 8.05 | .562 | 14.27 | .816 | 20.73 | 10.0 | 254.00 |
| .032 | 0.81 | .380 | 9.65 | .567 | 14.40 | .878 | 22.30 | | |
| .062 | 1.57 | .406 | 10.31 | .600 | 15.24 | .941 | 23.90 | | |
| .140 | 3.56 | .437 | 11.10 | .610 | 15.49 | 1.003 | 25.48 | | |
| .187 | 4.75 | .439 | 11.15 | .625 | 15.88 | 1.066 | 27.08 | | |
| .190 | 4.83 | .443 | 11.25 | .630 | 16.00 | 1.170 | 29.72 | | |
| .200 | 5.08 | .500 | 12.70 | .687 | 17.45 | 2.5 | 63.5 | | |
| .25 | 6.35 | .502 | 12.75 | .722 | 18.34 | 3.0 | 76.2 | | |



RECOMMENDED
PANEL CUTOUT



| QTY | DESCRIPTION | PART NUMBER | ITEM |
|--|------------------------------|-------------------------------|----------------------|
| TOL UNLESS SPECIFIED XXX ± .005 XXXXX ANGLE | TROMPETER RF CONNECTIVITY | TNGBJM1/TNTBJM1/ TNGBJMFL1 | |
| DWN | CHK | MATERIAL | CODE IDENT |
| ENGR | APPR | 14949 | 305-0590 |
| NEXT ASSY | | SCALE 4/1 | DATE 2-3-86 SHEET 1C |