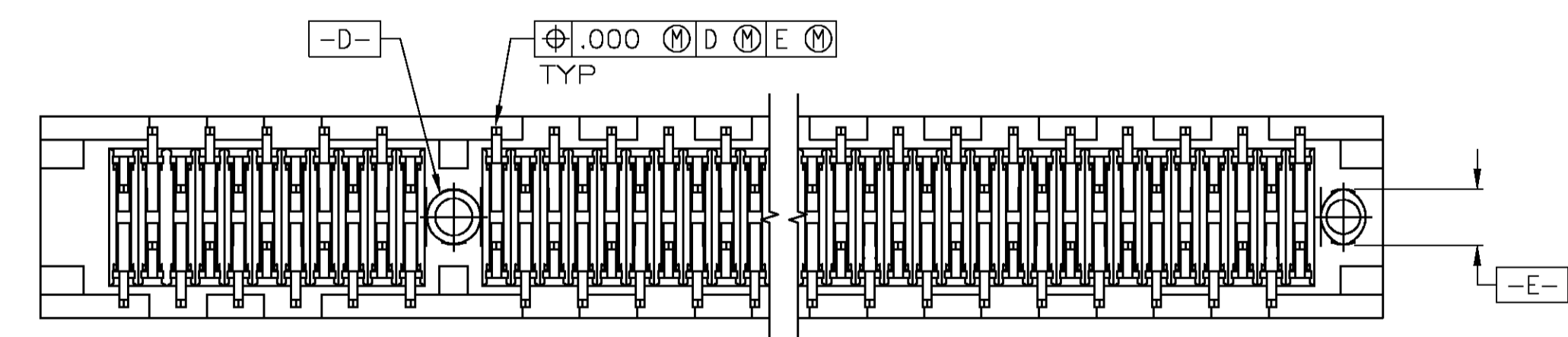


- ① HOUSING: HIGH TEMPERATURE THERMOPLASTIC. COLOR: BROWN.
- ② CONTACT: PHOSPHOR BRONZE.
- ③ CONTACT FINISH: .000100 MIN NICKEL ALL OVER. .000030 MIN GOLD OVER NICKEL IN CONTACT AREA. .000100 MIN TIN OVER NICKEL ON SOLDER TAILS.
- ④ DISTANCE FROM CONTACT POINT TO BOTTOM OF CARD SLOT.
- ⑤ AMP PART NUMBER, DATE CODE AND CSA LOGO MARKED IN APPROXIMATE AREA SHOWN.
- ⑥ CONTACT FINISH: .000100 MIN NICKEL ALL OVER. .000030 MIN GOLD OVER NICKEL IN CONTACT AREA. .000001 MIN GOLD FLASH OVER NICKEL ON SOLDER TAILS.

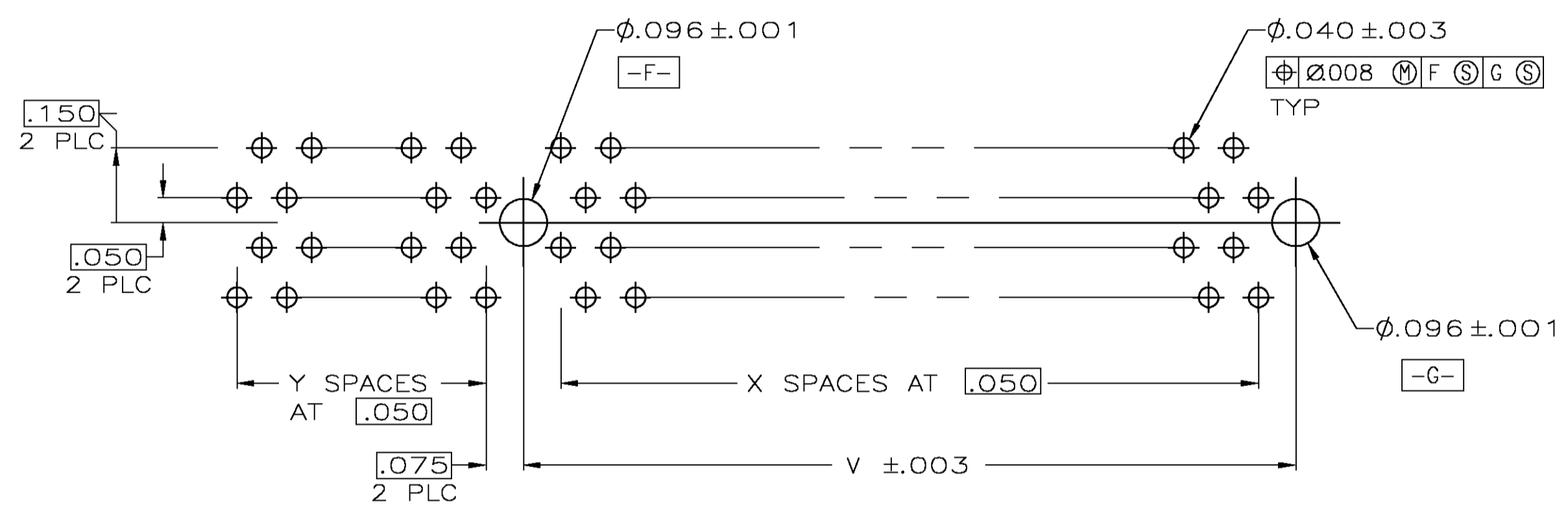


SEE SHEET 2 FOR HOLE PATTERNS

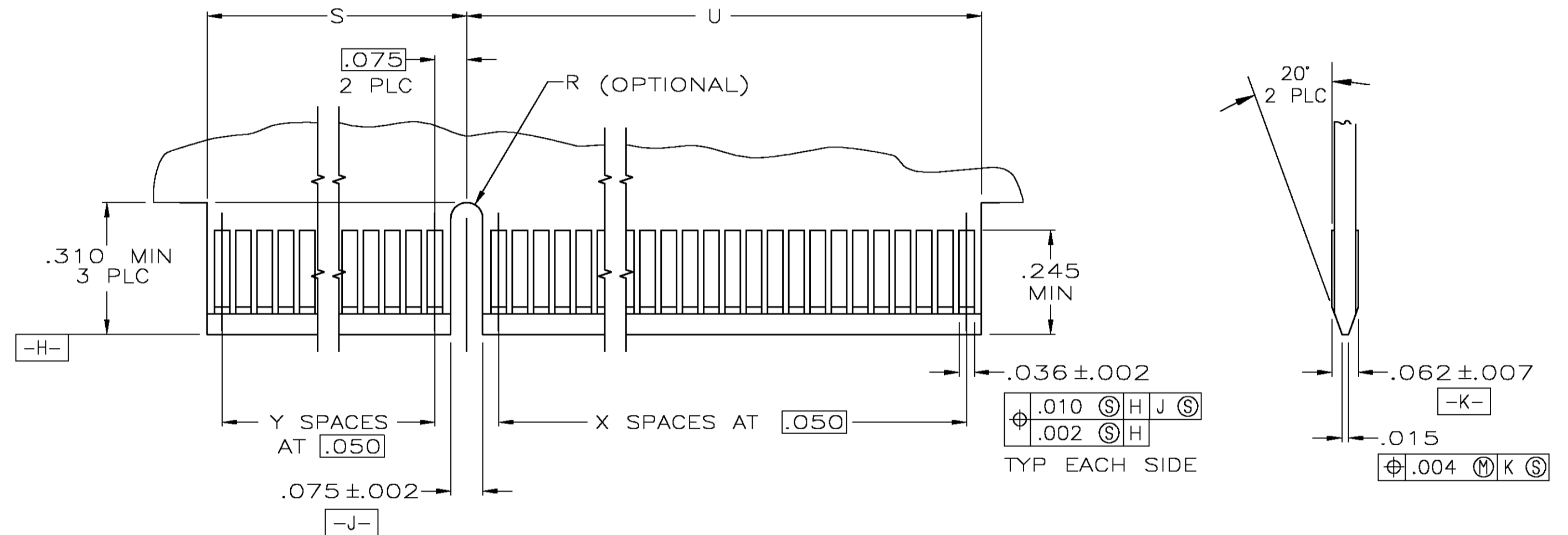
⑥	.100	.700	.660	1.49	.610	10	11	23	1658304-2
③	.100	.700	.660	1.49	.610	10	11	23	1658304-1
CONTACT FINISH	W	V	U	T	S	Y	X	NO OF DUAL POSN	PART NUMBER

THIS DRAWING IS A CONTROLLED DOCUMENT.

DWN: D. FAROLE 02/03/03	Tyco Electronics Corporation Middletown, PA 17057
CHK: S. BURKHOLDER 02/04/03	
DIMENSIONS: INCHES	TOLERANCES UNLESS OTHERWISE SPECIFIED:
0 PLC ± -	1 PLC ± -
1 PLC ± -	2 PLC ± .01
2 PLC ± .01	3 PLC ± .005
3 PLC ± .005	4 PLC ± -
4 PLC ± -	ANGLES ± 2
MATERIAL: HOUSING: ① CONTACT: ②	FINISH: CONTACT: ③
PRODUCT SPEC: 108-14034	APPLICATION SPEC: 114-26012
SIZE: A1	CAGE CODE: 00779
DRAWING NO: 1658304	RESTRICTED TO: -
CUSTOMER DRAWING	SCALE: 4:1 SHEET 1 OF 2 REV C



RECOMMENDED CONNECTOR MOUNTING HOLE PATTERN
(CONNECTOR SIDE SHOWN)



RECOMMENDED MATING BOARD EDGE CONFIGURATION

THIS DRAWING IS A CONTROLLED DOCUMENT.		DNW D. FAROLE 02/03/03	Tyco Electronics Corporation Middletown, PA 17057
DIMENSIONS: INCHES		CHK S. BURKHOLDER 02/04/03	
TOLERANCES UNLESS OTHERWISE SPECIFIED: 0 PLC ± - 1 PLC ± - 2 PLC ± .01 3 PLC ± .005 4 PLC ± - .2 ANGLES ± - 2		APVD -	NAME -
		PRODUCT SPEC 108-14034	PRODUCT SPEC CONNECTOR ASSEMBLY, DUAL POSITION, .050 SERIES STANDARD EDGE
MATERIAL HOUSING: △ CONTACT: △		APPLICATION SPEC 114-26012	SIZE A1
FINISH CONTACT: △		WEIGHT -	CAGE CODE 00779
		CUSTOMER DRAWING	DRAWING NO. 1658304
		SCALE 4:1	RESTRICTED TO -
		SHEET 2 OF 2	REV C