

PART NAME: BALL KNOB SCALE: 1:1 DATE: 4/23/82 DR. BY HD

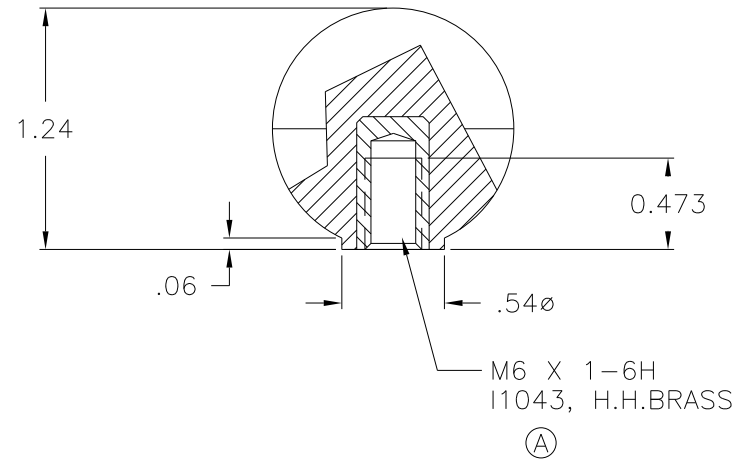
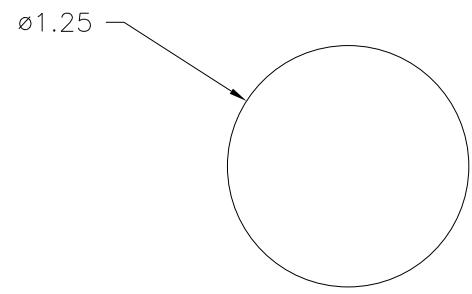
THIS DRAWING IS THE PROPERTY OF DAVIES MOLDING COMPANY, IS SUBMITTED SOLELY AS A DESIGN OR ENGINEERING PROJECT. WE ACCEPT NO RESPONSIBILITY WHATSOEVER FOR THE PRACTICAL APPLICATION OF THE PIECES MADE TO THIS DESIGN.



DESIGNERS & MANUFACTURERS OF KNOBS, HANDLES, CASES & CUSTOM PLASTIC COMPONENTS

P/N	0025BN
M NO.	0025
PINS	0025-G
SHIM	1
INSERT	I1043

Ⓐ



MATERIAL: G.P. PHENOLIC (B11)
COLOR: BLACK

TOLERANCES: UNLESS OTHERWISE SPECIFIED	DO NOT SCALE DRAWING			
DECIMALS: X.XXX ± .005 X.XX ± .015	MM: X.XX ± 0.15MM X.X ± 0.4MM	A	DWG. CORRECTED I1043 WAS I1047	HD 10/16/97
		-	CAD/REDRAWN	HD 9/15/97
FRACTIONS ± 1/64	ANG. ± 1°	CHANGES		