

NOTES:

- ALL DIMENSIONS ARE IN  $\frac{\text{INCHES}}{\text{[MILLIMETERS]}}$
- DIMENSIONS APPEARING IN TABLE ARE AS FOLLOWS:
  - a - AS SUPPLIED
  - b - AFTER UNRESTRICTED RECOVERY
- COATING IS OPTIONAL. AS SUPPLIED DIMENSIONS APPEARING IN TABLE ARE FOR UNCOATED PARTS. WHEN COATING IS ADDED, ENTRY DIAMETERS WILL BE REDUCED BY .06 MAX.
- MOLDING PORTS ARE OPTIONAL. WHEN -00 MODIFICATION NUMBER IS SPECIFIED MOLDING PORTS WILL BE LOCATED AS SHOWN.
- WEIGHT SHOWN IN TABLE OF DIMENSIONS IS BASED ON POLYOLEFIN PART.

| REVISIONS |                           |          |
|-----------|---------------------------|----------|
| LTR       | DESCRIPTION               | DATE     |
| U         | REVISED PER ECO-13-013640 | 09/20/13 |

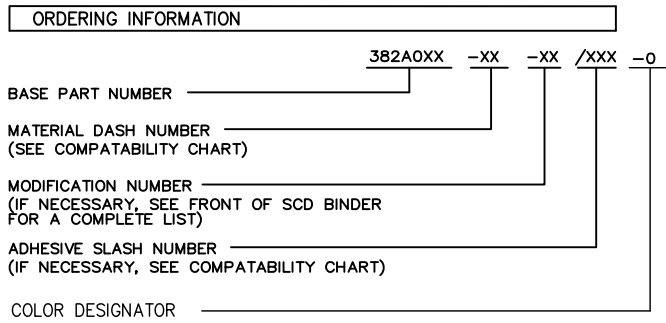
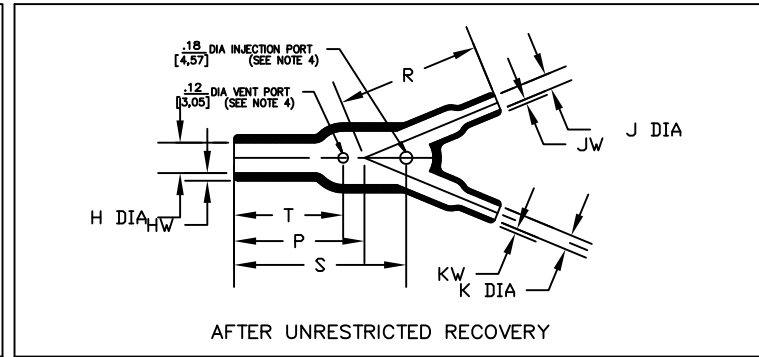
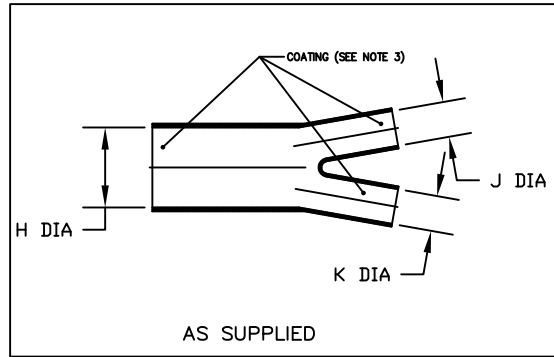


TABLE OF DIMENSIONS

| PART NUMBER | H              |                | J              |               | K              |               | P              | R              | S               | T              | HW            | JW & KW       | C        | Weight           |
|-------------|----------------|----------------|----------------|---------------|----------------|---------------|----------------|----------------|-----------------|----------------|---------------|---------------|----------|------------------|
|             | Min<br>a       | Max<br>b       | Min<br>a       | Max<br>b      | Min<br>a       | Max<br>b      | ±10%<br>b      | ±10%<br>b      | ±10%<br>b       | ±10%<br>b      | ±20%<br>b     | ±20%<br>b     | ±5%<br>b | Norm<br>b        |
| 382A012     | .52<br>[13,2]  | .24<br>[6,1]   | .26<br>[6,6]   | .13<br>[3,3]  | .26<br>[6,6]   | .13<br>[3,3]  | .88<br>[22,4]  | .76<br>[19,3]  | .94<br>[23,9]   | .61<br>[15,5]  | .06<br>[1,52] | .04<br>[1,02] | 22 1/2'  | .004<br>[1,81]   |
| 382A023     | 1.06<br>[26,9] | .49<br>[12,4]  | .52<br>[13,2]  | .24<br>[6,1]  | .52<br>[13,2]  | .24<br>[6,1]  | 1.50<br>[38,1] | 1.70<br>[43,2] | 2.10<br>[53,3]  | 1.30<br>[33,0] | .10<br>[2,54] | .06<br>[1,52] | 22 1/2'  | .026<br>[11,79]  |
| 382A034     | 1.52<br>[38,6] | .71<br>[18,0]  | 1.06<br>[26,9] | .49<br>[12,4] | 1.06<br>[26,9] | .49<br>[12,4] | 2.58<br>[65,5] | 3.10<br>[78,7] | 3.10<br>[78,7]  | 2.20<br>[55,9] | .12<br>[3,05] | .10<br>[2,54] | 22 1/2'  | .141<br>[63,96]  |
| 382A046     | 2.19<br>[55,6] | 1.02<br>[25,9] | 1.06<br>[26,9] | .50<br>[12,7] | 1.06<br>[26,9] | .50<br>[12,7] | 3.35<br>[85,1] | 3.70<br>[94,0] | 4.40<br>[111,8] | 2.80<br>[71,1] | .18<br>[4,57] | .10<br>[2,54] | 22 1/2'  | .249<br>[112,95] |

COMPATIBILITY CHART

| MATERIAL DASH NO. | MATERIAL DESCRIPTION  | COATING SLASH NUMBER | COATING S NUMBER            |
|-------------------|---|----------------------|-----------------------------|
| -3                | Polyolefin, Semi-rigid                                      | /42;/86;/87          | S-1017;S-1048;S-1052        |
| -4                | Polyolefin, Flexible  | /42;/86;/87;/180     | S-1017;S-1048;S-1052;S-1030 |
| -5                | Elastomer, Flexible   | /42                  | S-1017                      |
| -6                | Silicone  | N/A                  |                             |
| -12               | *VITON, Flexible *VITON is a Registered Trademark of Dupont | N/A                  |                             |
| -25               | Elastomer, Fluid Resistant                                  | /42;/86;/180;/225    | S-1017;S-1048;S-1030;S-1206 |
| -100              | Polyolefin, Semi-flexible ZEROHAL™                          | /86;/180             | S-1048,S-1030               |

IF THIS DOCUMENT IS PRINTED IT BECOMES UNCONTROLLED.  
CHECK FOR THE LATEST REVISION.

Raychem Molded Parts  
CUSTOMER DRAWING

UNLESS OTHERWISE SPECIFIED DIMENSIONS ARE INCHES. METRIC DIMENSIONS ARE IN BRACKETS.

DECIMAL TOLERANCES  
.XXX ± 0.005 [0.13 mm]  
.XX ± 0.01 [0.25 mm]  
.X ± 0.1 [0.50 mm]

ANGLE TOLERANCE  
.X ± 1 DEG.

DRAWN  
MMazariegos

APPROVED  
SGravano

THIRD ANGLE PROJECTION



TE Connectivity

TITLE  
TRANSITION, Y

SIZE B CODE IDENT. NO. 06090 DWG. NO. 382A012thru046

TE CONNECTIVITY RESERVES THE RIGHT TO AMEND THIS DRAWING AT ANY TIME. USERS SHOULD EVALUATE THE SUITABILITY OF THE PRODUCT FOR THEIR APPLICATION.

© 2013 Tyco Electronics Corporation, a TE connectivity Ltd. company. All rights reserved.

DO NOT SCALE THIS DRAWING

SHEET 1 OF 1