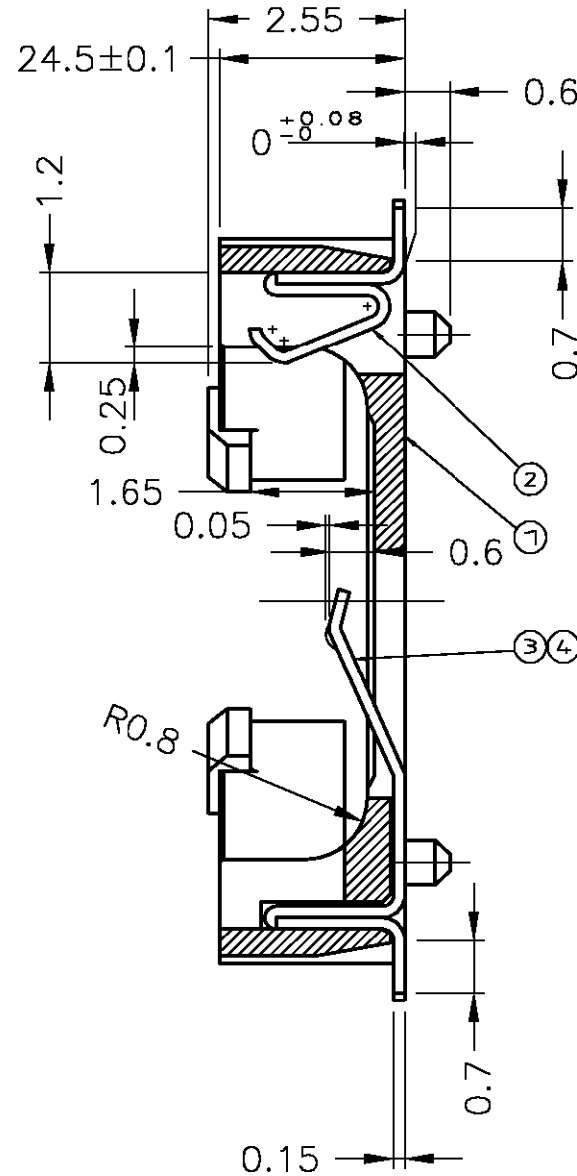
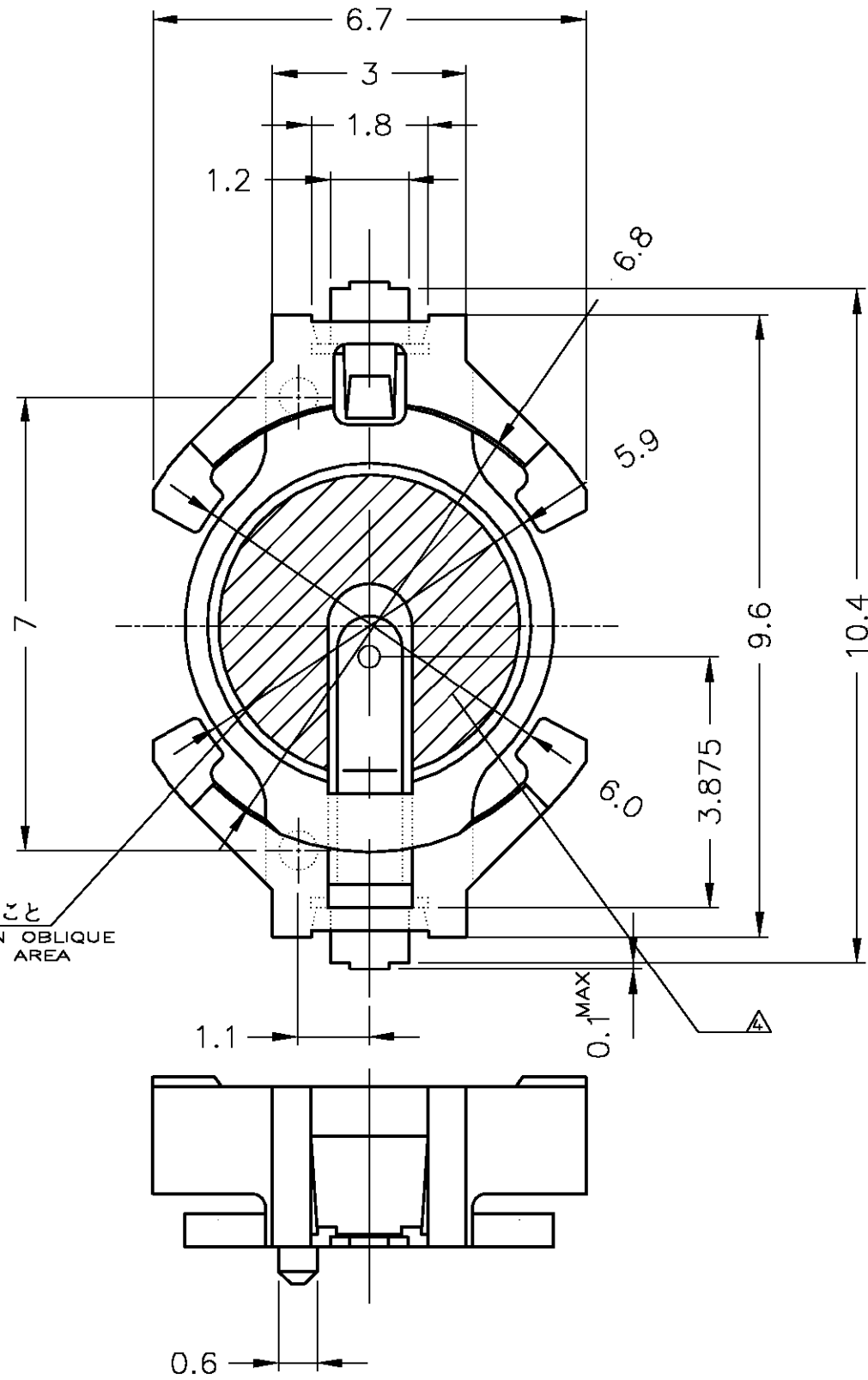


THIS DRAWING IS UNPUBLISHED. RELEASED FOR PUBLICATION
 © COPYRIGHT BY TYCO ELECTRONICS CORPORATION. ALL RIGHTS RESERVED.

LOC	DIST	REVISIONS					
J	-	P	LTR	DESCRIPTION	DATE	DWN	APVD
		F		REVISED (FJ00-0442-01)	05MAR01	C.O	K.I



注記
 △重量 0.075g
 △仕上げ 全面0.5~1.0umのNiめっきの上に0.1~0.3umのPdNiめっき
 その上に0.05~0.2umのAuめっきを施す
 3.コンタクト接触圧 +極 300gfMIN
 -極 150gfMIN

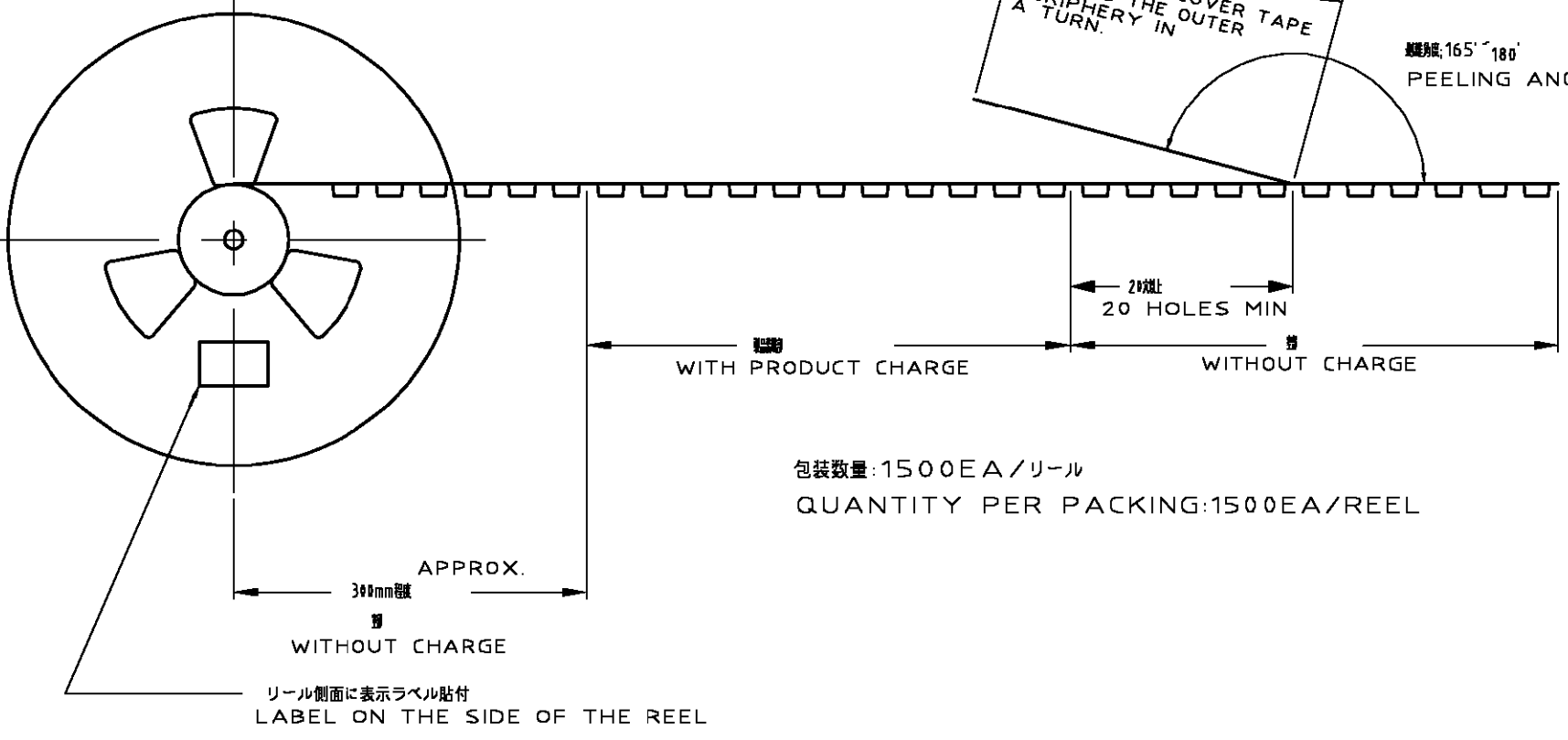
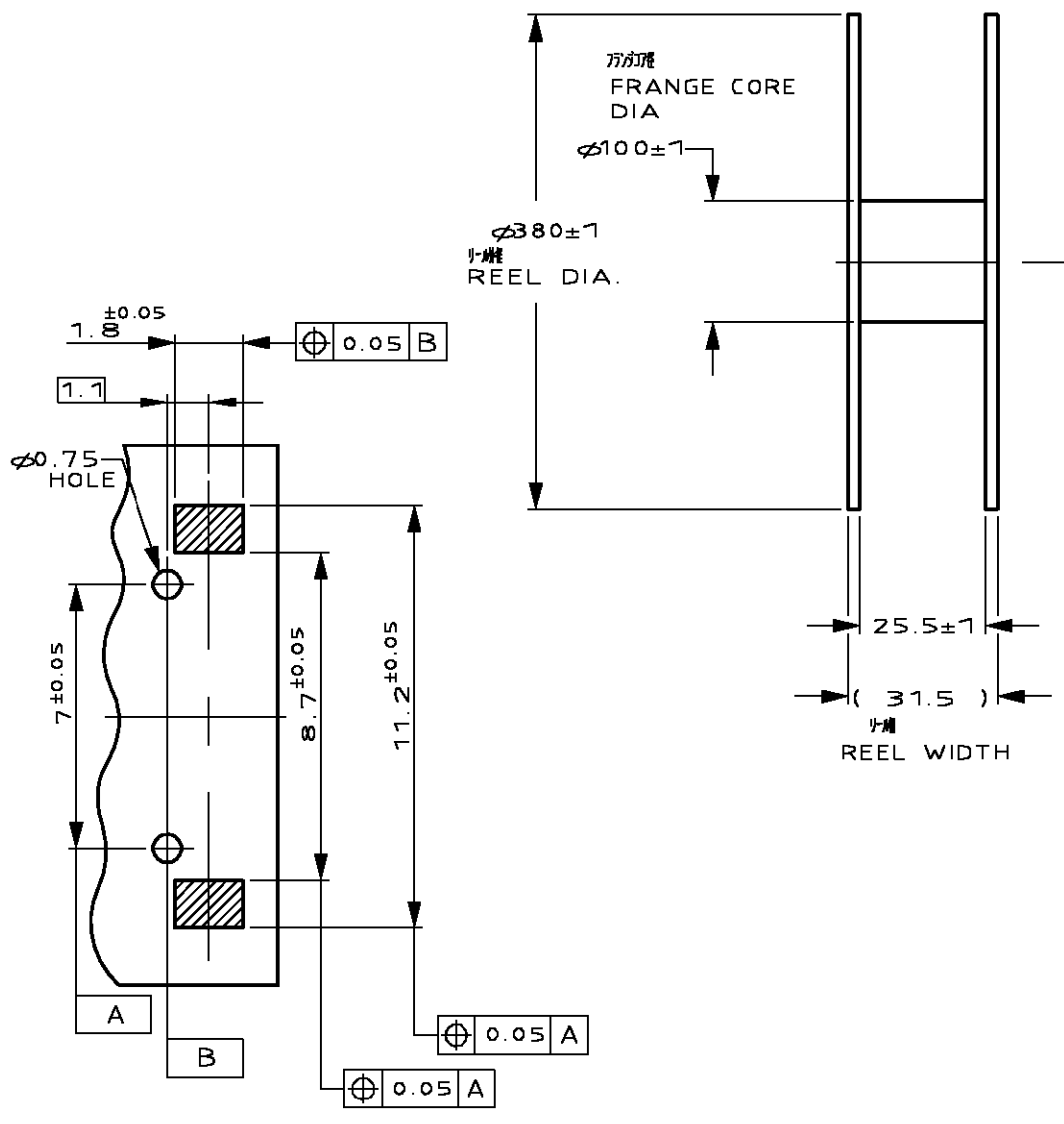
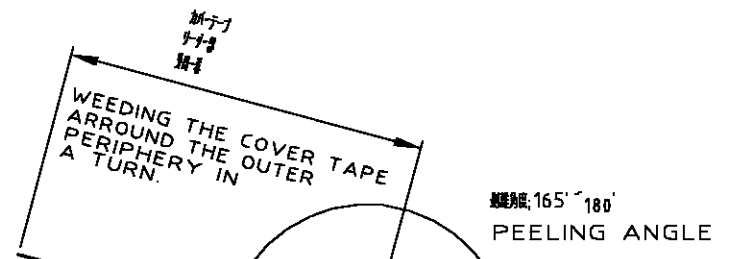
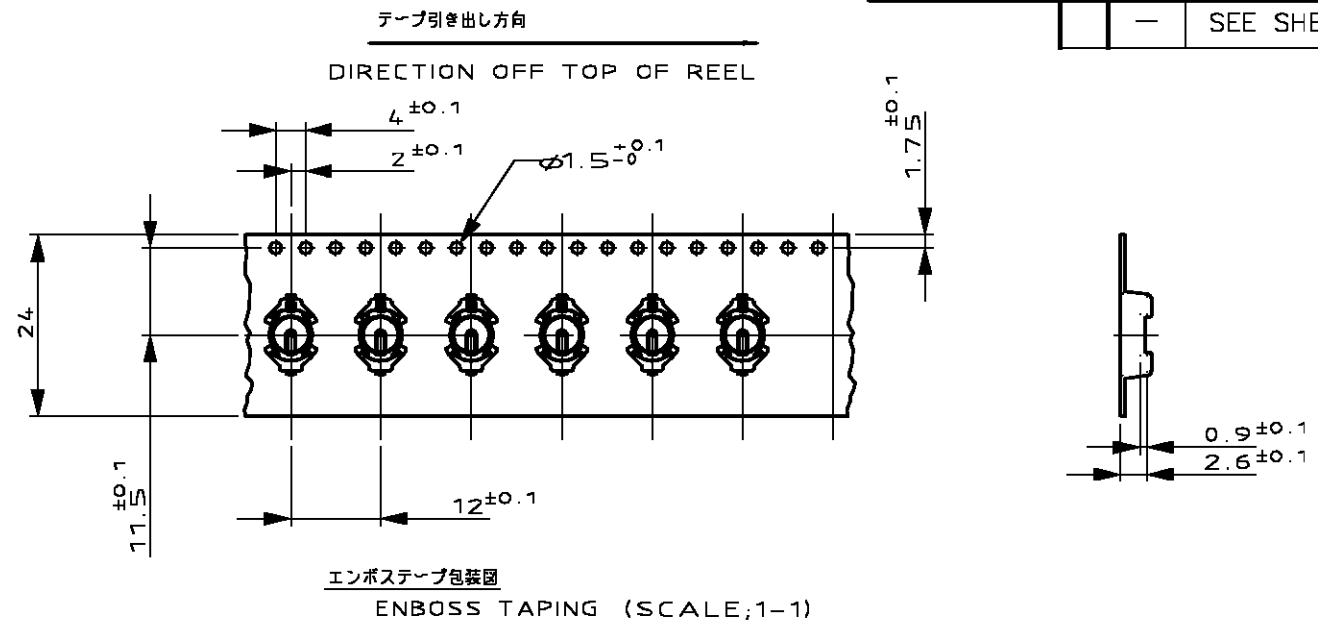
NOTES
 △NET WEIGHT;0.075g
 △FINISH:ALL~OVER Ni PLATING 0.5~1.0um.
 OVER NiPd:0.1~0.3um OVER Au:0.05~0.2um
 3.CONTACT PRESSURE + 300gfMIN
 - 150gfMIN

QTY	UNIT	MATERIAL	NAME	ITEM
1		STAINLESS STEEL	- CONTACT WITH DIMPLE	④
1		STAINLESS STEEL	- CONTACT WITHOUT DIMPLE	③
1	1	STAINLESS STEEL	+ CONTACT	②
1		THERMOPLASTIC (HIGH TEMPERATURE NYLON))	HOUSING (COLOR; BLUE)	①
	1	THERMOPLASTIC (HIGH TEMPERATURE NYLON))	HOUSING (COLOR; WHITE)	①

THIS DRAWING IS A CONTROLLED DOCUMENT.		DWN T.KIMURA 9SEP97	AMP Tyco Electronics AMP K.K. Kawasaki,Japan				
DIMENSIONS: 単位: 概 MM		CHK K.KODAIRA 9SEP97					
TOLERANCES UNLESS OTHERWISE SPECIFIED: 一般公差		APVD T.SASAKI 9SEP97	NAME 名称 BATTERY HOLDER FOR ML 616				
0-PLC ± 1-PLC ± 2-PLC ± 3-PLC ± 4-PLC ± ANGLES ±3'		PRODUCT SPEC 製品規格 108-5578	SIZE A3	CAGE CODE 00779	DRAWING NO 番号 C-353832	RESTRICTED TO -	
MATERIAL 材料 SEE TABLE		FINISH 仕上 △	WEIGHT △		SCALE 尺度 1:1	SHEET 1 OF 2	REV F
CUSTOMER DRAWING							

THIS DRAWING IS UNPUBLISHED. RELEASED FOR PUBLICATION
 © COPYRIGHT BY TYCO ELECTRONICS CORPORATION. ALL RIGHTS RESERVED.

LOC	DIST	REVISIONS				
		P	LTR	DATE	DWN	APVD
J	-	-	-	SEE SHEET 1	-	-



推奨基板パターン形状
 RECOMMENDED PATTERN DIMENSION
 (scale:5-1)

THIS DRAWING IS A CONTROLLED DOCUMENT.		DWN T.KIMURA 9SEP97	AMP Tyco Electronics AMP K.K. Kawasaki, Japan
DIMENSIONS: 単位: 概 MM		CHK K.KODAIRA 9SEP97	
TOLERANCES UNLESS OTHERWISE SPECIFIED: 一般公差		APVD T.SASAKI 9SEP97	NAME 名称 BATTERY HOLDER FOR ML 616
0-PLC ± 1-PLC ± 2-PLC ± 3-PLC ± 4-PLC ± ANGLES ±3'		PRODUCT SPEC 製品規格	SIZE A3
MATERIAL 材料		APPLICATION SPEC 取付適用規格	CAGE CODE 00779
FINISH 仕上		WEIGHT	DRAWING NO 番号 C-353832
CUSTOMER DRAWING			RESTRICTED TO -
SCALE 尺度 1:1			SHEET 2 OF 2
			REV F