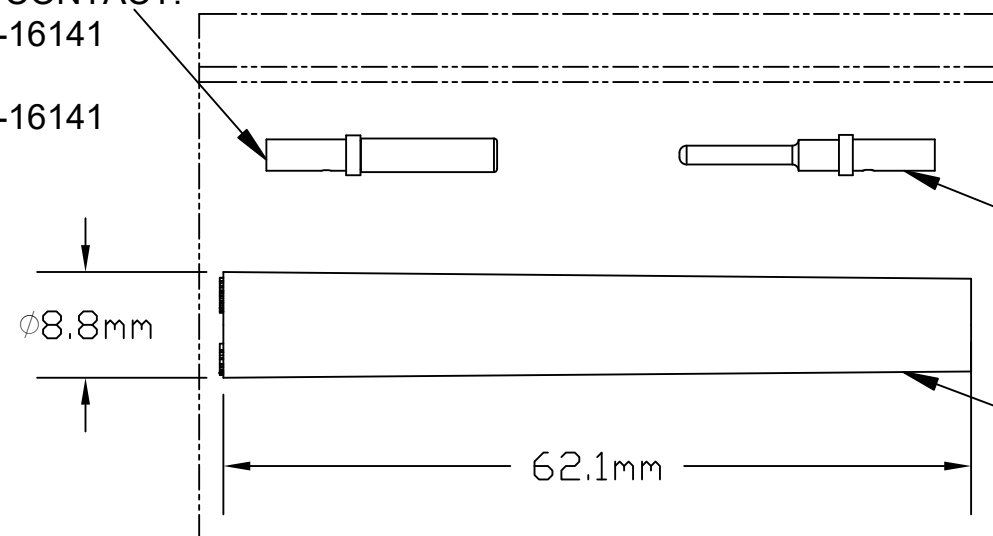


CONTACT SIZE	MIN. INSUL O.D	MAX. INSUL O.D	TYPICAL WIRE RANGE	CURRENT RATING
16	2.54mm (.100 in)	3.40mm (.134 in)	14-20AWG	13 AMPS

REVISIONS					
REV	ECO	DESCRIPTION	DATE	BY	APPR
A1	-	RELEASE	11APR2019	JAH	-

SOCKET CONTACT:  
AT62-201-16141  
OR  
AT62-209-16141



PIN CONTACT:  
AT60-202-16141  
OR  
AT60-215-16141

SPEEDSPlice  
ATSS-16-00

KIT CONTENTS (1 EACH)

P/N	DEUTSCH CROSS
ATSS-16-00	JS-16-00
AT60-202-16141	0460-202-16141
AT60-215-16141	0460-215-16141
AT60-201-16141	0462-201-16141
ATSS-16-00	0462-209-16141

1. MATERIAL:

CONTACTS: COPPER ALLOY; NICKEL PLATED  
INTEGRATED CONTACT RETENTION SYSTEM  
SPEEDSPlice SEAL: SILICONE RUBBER

2. CONTACT SIZE: 16

3. SPECIFICATIONS:

3.1 CURRENT RATING: 13AMPS  
3.2 CONTACT MILLIVOLT DROP: 60MILLIVOLT  
DROP @ 13AMP TEST CURRENT.  
3.3 RoHS COMPLIANT

4. RECOMMENDED WIRE RANGE: SEE CHART

5. AVAILABLE HAND CRIMPER: CA-5D12

6. ALL DIMENSIONS ARE FOR REFERENCE USE ONLY

ASSY P/N	RECOMMENDED WIRE RANGE	PIN CONTACT P/N	SOCKET CONTACT P/N
ATSS-16-KIT01	16-20 AWG	AT60-202-16141	AT62-201-16141
ATSS-16-KIT02	14 AWG	AT60-215-16141	AT62-209-16141

QUANTITY	PART NUMBER	DESCRIPTION	ITEM												
MATERIALS LIST															
UNLESS OTHERWISE SPECIFIED 1) All dimensions are in metric (mm). 2) Tolerances are as follows: 1 PL DEC ±0.30 2 PL DEC ±0.15 Fractions ±1/64 3 PL DEC ±0.08 Angles ±1° 3) Note reference =		<table border="1"> <thead> <tr> <th>SIGNATURES</th> <th>DATE</th> </tr> </thead> <tbody> <tr> <td>DRAWN: J.HEAD</td> <td>11APR2019</td> </tr> <tr> <td>CHECKED:</td> <td></td> </tr> <tr> <td>ENGINEER:</td> <td></td> </tr> <tr> <td>APPROVAL:</td> <td></td> </tr> <tr> <td>CUSTOMER:</td> <td></td> </tr> </tbody> </table>		SIGNATURES	DATE	DRAWN: J.HEAD	11APR2019	CHECKED:		ENGINEER:		APPROVAL:		CUSTOMER:	
SIGNATURES	DATE														
DRAWN: J.HEAD	11APR2019														
CHECKED:															
ENGINEER:															
APPROVAL:															
CUSTOMER:															
MATERIAL SPECIFICATIONS:		<div style="text-align: center;"> <h1>Amphenol</h1> <p>Sine Systems - www.amphenol-sine.com 44724 Morley Drive Clinton Township, MI 48036</p> </div>													
PROCESS SPECIFICATIONS:															
NEXT ASS'Y:		<p style="text-align: center;">KIT, SPEEDSPlice &amp; SIZE 16 SOLID CONTACTS. 14-20 AWG</p>													
		<table border="1"> <tr> <td>SIZE</td> <td>TYPE</td> <td>DWG NO:</td> <td>REVISION</td> </tr> <tr> <td>A</td> <td>C</td> <td>ATSS-16-KIT0X</td> <td>A1</td> </tr> </table>	SIZE	TYPE	DWG NO:	REVISION	A	C	ATSS-16-KIT0X	A1					
SIZE	TYPE	DWG NO:	REVISION												
A	C	ATSS-16-KIT0X	A1												
		SCALE: NONE	SHEET 1 OF 1												