



Power Capacitors

The following products presented in this data sheet are being withdrawn.

Ordering Code	Substitute Product	Date of Withdrawal	Deadline Last Orders	Last Shipments
B25856K7505K003		2014-08-14	2015-03-31	2016-09-30
B25856K7504K013		2014-08-14	2015-03-31	2016-09-30
B25856K7405K003		2014-08-14	2015-03-31	2016-09-30

© EPCOS AG 2015. Reproduction, publication and dissemination of this publication, enclosures hereto and the information contained therein without EPCOS' prior express consent is prohibited.

EPCOS AG is a TDK Group Company.



Ordering Code	Substitute Product	Date of Withdrawal	Deadline Last Orders	Last Shipments
B25856K7355K003		2014-08-14	2015-03-31	2016-09-30
B25856K7255K003		2014-08-14	2015-03-31	2016-09-30
B25856K7205K003		2014-08-14	2015-03-31	2016-09-30
B25856K7155K013		2014-08-14	2015-03-31	2016-09-30
B25856K7105K003		2014-08-14	2015-03-31	2016-09-30
B25856K4755K003		2014-08-14	2015-03-31	2016-09-30
B25856K4504K013		2014-08-14	2015-03-31	2016-09-30
B25856K4255K003		2014-08-14	2015-03-31	2016-09-30
B25856K4204K003		2014-08-14	2015-03-31	2016-09-30
B25856K4105K003		2014-08-14	2015-03-31	2016-09-30
B25856K3504K003		2014-08-14	2015-03-31	2016-09-30
B25856K3255K003		2014-08-14	2015-03-31	2016-09-30
B25856K3104K003		2014-08-14	2015-03-31	2016-09-30
B25856K2504K003		2014-08-14	2015-03-31	2016-09-30
B25856K2405K003		2014-08-14	2015-03-31	2016-09-30
B25856K2305K003		2014-08-14	2015-03-31	2016-09-30
B25856K2255K003		2014-08-14	2015-03-31	2016-09-30
B25856K2205K003		2014-08-14	2015-03-31	2016-09-30
B25856K2204K003		2014-08-14	2015-03-31	2016-09-30
B25856K2105K003		2014-08-14	2015-03-31	2016-09-30
B25856K1755K003		2014-08-14	2015-03-31	2016-09-30
B25856K1505K003		2014-08-14	2015-03-31	2016-09-30
B25856K1255K003		2014-08-14	2015-03-31	2016-09-30
B25856K1204K003		2014-08-14	2015-03-31	2016-09-30
B25856K1155K003		2014-08-14	2015-03-31	2016-09-30
B25856K1106K003		2014-08-14	2015-03-31	2016-09-30
B25856K0755K003		2014-08-14	2015-03-31	2016-09-30
B25856K0405K003		2014-08-14	2015-03-31	2016-09-30
B25856K0205K003		2014-08-14	2015-03-31	2016-09-30
B25856K0204K003		2014-08-14	2015-03-31	2016-09-30
B25856K0156K003		2014-08-14	2015-03-31	2016-09-30
B25856K0155K003		2014-08-14	2015-03-31	2016-09-30
B25856K0105K003		2014-08-14	2015-03-31	2016-09-30
B25856J7305J003		2014-08-14	2015-03-31	2016-09-30
B25856J0474K003		2014-08-14	2015-03-31	2016-09-30

For further information please contact your nearest EPCOS sales office, which will also support you in selecting a suitable substitute. The addresses of our worldwide sales network are presented at www.epcos.com/sales.

Features

- High dielectric strength
- High peak-current capability
- Extremely low inductance

Construction

- Self-healing
- Plastic dielectric
- Oil-impregnated tubular windings (no PCB)
- Metal-sprayed end faces ensure reliable contacting
- Fully insulated case
- Axial version



Terminals

- Internal thread M6 × 8 and M8 × 10
- Axial

Mounting

- On the terminals

Individual data sheets

Individual data sheets contain detailed specification incl. thermal data. Upon request, these data sheets are available for each capacitor type.

Technical data

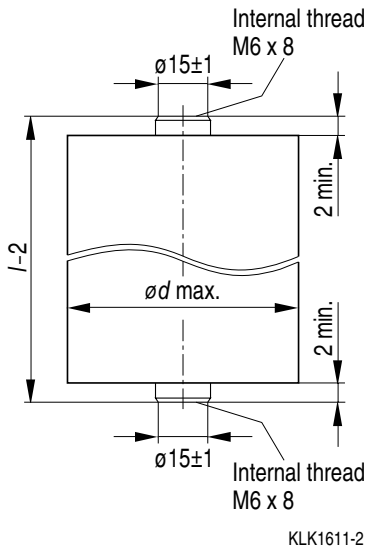
Standards		IEC 1071-1/2 EN 61071-1/2 VDE 0560 part 120 and 121
Dielectric dissipation factor	$\tan \delta_0$	2×10^{-4}
Capacitance tolerance		$\pm 10\%$
Max. repetitive rate of voltage rise	$(dv/dt)_{\max}$	$\frac{\hat{I}}{C}$
Max. non-repetitive rate of voltage rise	$(dv/dt)_s$	$\frac{I_s}{C}$
Climatic data:		
Min. operating temperature	T_{\min}	$-25\text{ }^{\circ}\text{C}$
Max. operating temperature	T_{\max}	$+85\text{ }^{\circ}\text{C}$
Average relative humidity		$\leq 95\%$
Failure quota	$\alpha_{\text{FQ}(\text{co})}$	300 failures per 10^9 component hours
Load duration	$t_{\text{LD}(\text{co})}$	100 000 h
Storage temperature limit	T_{stg}	$\leq 98\text{ mm diameter: } -55/+85\text{ }^{\circ}\text{C}$ $\geq 103\text{ mm diameter: } -30/+85\text{ }^{\circ}\text{C}$
IEC climatic category (IEC 68-1 and 2)		25/085/56
Test A, cold		$-25\text{ }^{\circ}\text{C}$
Test B, dry heat		$+85\text{ }^{\circ}\text{C}$
Test Ca, damp heat, steady state		56 days/ $40\text{ }^{\circ}\text{C}/93\%$ rel. humidity
Values after test Ca:		
Capacitance change	$\Delta C/C$	$\leq 1\%$
Insulation resistance	R_{ins}	$C_R \leq 1\text{ }\mu\text{F: } \geq 10000\text{ M}\Omega$
Self-discharge time constant $\tau =$	$R_{\text{ins}} \times C$	$C_R > 1\text{ }\mu\text{F: } \geq 10000\text{ s}$
Dissipation factor change	$\Delta \tan \delta$	$\leq 1 \times 10^{-4}$
Test data:		
Voltage test between terminals		
DC test voltage	V_{TT}	$1.5 \times V_R, 10\text{ s}$ ($V_R = \text{DC}$) $1.75 \times V_R, 10\text{ s}$ ($V_R = \text{AC}$)
AC test voltage (rms value)	V_{TT}	$1.25 \times V_R, 50\text{ Hz}, 10\text{ s}$ ($V_R = \text{AC}$)
Insulation resistance	R_{ins}	$C_R \leq 1\text{ }\mu\text{F: } \geq 10000\text{ M}\Omega$
Self-discharge time constant	$\tau = R_{\text{ins}} \times C$	$C_R > 1\text{ }\mu\text{F: } \geq 10000\text{ s}$
Dissipation factor (50 Hz)	$\tan \delta$	$\leq 3 \times 10^{-4}$

Characteristics and ordering codes

$C_R^{1)}$	I_{max}	\hat{i}	I_s	R_S 20 °C	L_{self}	Dimensions $d \times l$	Fig.	Appr. weight	Ordering code
μF	A	A	A	m Ω	nH	mm		g	
$V_{RDC} = AC 3000 V$ $\hat{v} = 3600 V$ $V_{TT} = AC 3200 V, 10 s$ $V_R = AC 2500 V$ $v_s = 5200 V$									
0.5	70	2200	5500	1.9	<20	68 × 79	2	550	B25856K7504K013
1	80	3000	7500	1.1	<20	83 × 79	2	700	B25856K7105K003
1.5	80	4800	12000	0.7	<20	93 × 79	2	800	B25856K7155K013
2	80	3600	9000	1.3	<20	88 × 100	2	900	B25856K7205K003
2.5	80	4500	11000	1.0	<20	98 × 100	2	1100	B25856K7255K003
3	80	3600	9000	1.9	<10	88 × 142	2	1100	B25856J7305J003
3.5	80	4200	10500	1.7	<20	93 × 142	2	1400	B25856K7355K003
4	80	4800	12000	1.5	<20	98 × 142	2	1500	B25856K7405K003
5	80	6000	15000	1.2	<20	108 × 142	2	1800	B25856K7505K003
$V_{RDC} = AC 3300 V$ $\hat{v} = 4000 V$ $V_{TT} = AC 3500 V, 10 s$ $V_R = AC 2800 V$ $v_s = 5800 V$									
0.1	20	350	900	8.0	<20	40 × 70	1	160	B25856K3104K003
0.5	70	1800	4500	1.7	<20	73 × 79	2	600	B25856K3504K003
2.5	80	3500	8800	2.0	<20	88 × 142	2	1300	B25856K3255K003
$V_{RDC} = AC 4000 V$ $\hat{v} = 4800 V$ $V_{TT} = AC 4300 V, 10 s$ $V_R = AC 3400 V$ $v_s = 7000 V$									
0.2	50	1200	3000	2.6	<20	53 × 70	1	250	B25856K2204K003
0.5	80	3000	7500	1.1	<20	83 × 79	2	700	B25856K2504K003
1	80	3500	8800	1.3	<20	88 × 105	2	1000	B25856K2105K003
2	80	5000	12500	1.3	<20	98 × 126	2	1350	B25856K2205K003
2.5	80	3800	9400	2.3	<20	88 × 168	2	1500	B25856K2255K003
3	80	4500	11000	2.0	<20	98 × 168	2	1700	B25856K2305K003
4	80	6000	15000	1.5	<20	108 × 168	2	2100	B25856K2405K003

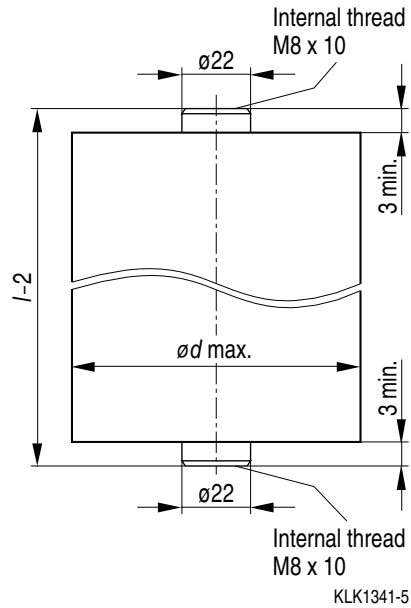
1) Other capacitance values upon request

Dimensional drawing 1



$\phi d_{max} = 40 \dots 68 \text{ mm}$:
 Internal thread = M6 x 8
 Max. torque = 7 Nm

Dimensional drawing 2



$\phi d_{max} = 68 \dots 108 \text{ mm}$:
 Internal thread = M8 x 10
 Max. torque = 7 Nm

Mouser Electronics

Authorized Distributor

Click to View Pricing, Inventory, Delivery & Lifecycle Information:

EPCOS:

[B25856K0204K003](#) [B25856J0474K003](#) [B25856K0105K003](#) [B25856K0155K003](#) [B25856K0405K003](#)
[B25856K0755K003](#) [B25856K0156K003](#) [B25856K4504K013](#) [B25856K1204K003](#) [B25856K1155K003](#)
[B25856K7504K013](#) [B25856K7155K013](#) [B25856K7205K003](#) [B25856J7305J003](#) [B25856K7405K003](#)
[B25856K7505K003](#) [B25856K3255K003](#) [B25856K2204K003](#) [B25856K2504K003](#) [B25856K2105K003](#)
[B25856K2205K003](#) [B25856K2405K003](#) [B25856J7355J013](#) [B25856J7305J013](#) [B25856J7405K003](#)
[B25856J0684K013](#) [B25856K4404J013](#) [B25856J0105K013](#) [B25856J7205K003](#) [B25856J8105K003](#)
[B25856J7505J003](#) [B25856K2104K003](#) [B25856J6105K013](#) [B25856K0305K033](#) [B25856J7355J003](#)
[B25856J7305K003](#) [B25856J7105K003](#) [B25856K7105K3](#) [B25856K0155K013](#) [B25856J7104M003](#) [B25856J0334A003](#)