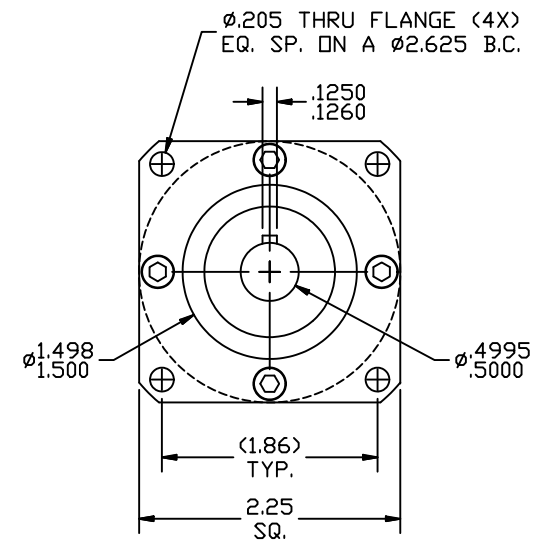
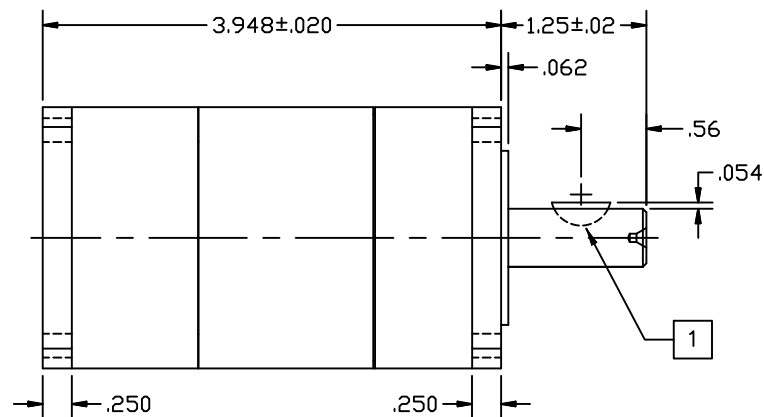
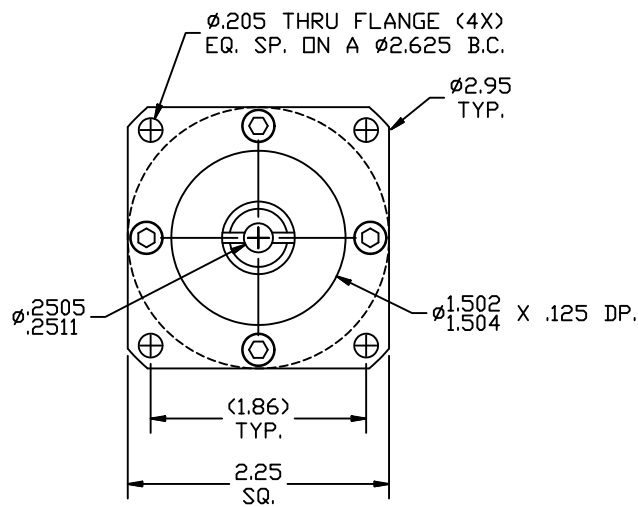


REVISIONS			
REV	DESCRIPTION	DATE	APPROVED
A	INITIAL RELEASE ECO 6709	2/22/13	J Kordik



NOTES: UNLESS OTHERWISE SPECIFIED

- 1 #404 WOODRUFF KEY.
2. 23PN070 RATIO- 70:1
3. FOR TECHNICAL DETAILS, CONTACT APPLIED MOTION PRODUCTS.

TOLERANCES		THIRD ANGLE PROJECTION		APPLIED MOTION PRODUCTS, INC.		
DECIMALS: [MM] INCH X.XXX = ± .005 X.XX = ± [0.13] .010 X.X = ± [0.25] .020 ANGLES: MACH. = ± 5° CHAM. = ± 5°						
		APPROVALS	DATE			<b>OUTLINE, GEAR HEAD,            PN23, 2 STAGE</b>
		DRAWN <i>R. JONEZ</i>	2/22/13	B	DWG NO. 23PN070	
COMPUTER DATA BASE DRAWING		APPROVED		SCALE: FULL		SHEET 1 OF 1