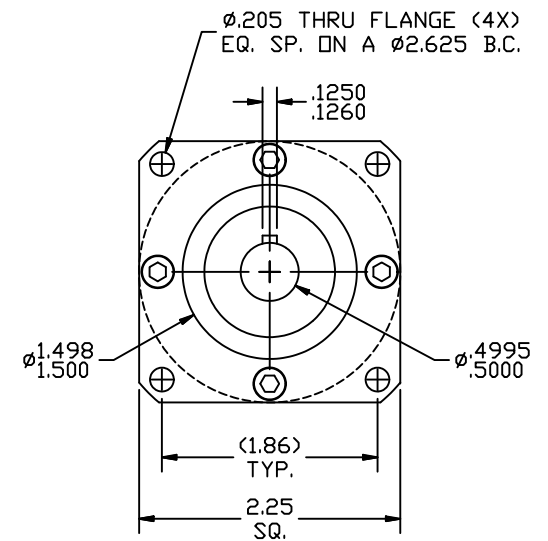
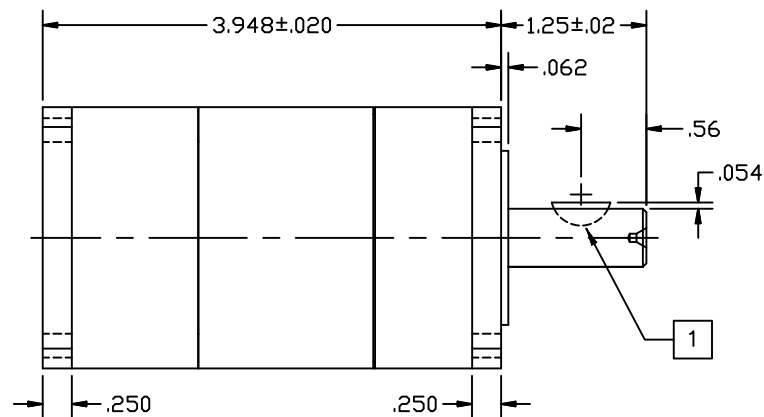
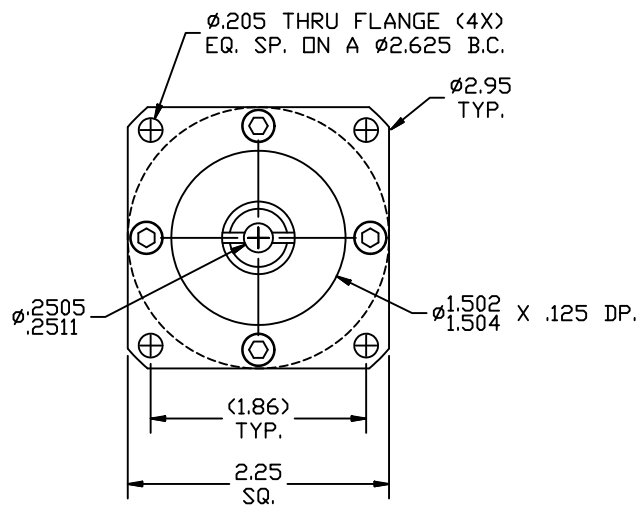


REVISIONS			
REV	DESCRIPTION	DATE	APPROVED
A	INITIAL RELEASE ECO 6709	2/22/13	J Kordik



NOTES: UNLESS OTHERWISE SPECIFIED

- 1 #404 WOODRUFF KEY.
2. 23PN070 RATIO- 70:1
3. FOR TECHNICAL DETAILS, CONTACT APPLIED MOTION PRODUCTS.

TOLERANCES	THIRD ANGLE PROJECTION	APPLIED MOTION PRODUCTS, INC.		
DECIMALS: [MM] INCH X.XXX = \pm .005 X.XX = \pm [0.13] .010 X.X = \pm [0.25] .020 ANGLES: MACH. = \pm 5° CHAM. = \pm 5°		OUTLINE, GEAR HEAD, PN23, 2 STAGE		
COMPUTER DATA BASE DRAWING	APPROVALS DRAWN <i>R. JONEZ</i> CHECKED			DATE 2/22/13
	APPROVED	DWG NO. 23PN070	SCALE: FULL	SHEET 1 OF 1