

N = Number of poles
 Dim A=Nx3.5
 Dim B=(N-1)x3.5

Poles	Dim A	Dim B
2-6p	±0.15	±0.15
7-12p	±0.25	±0.25
13-18p	±0.35	±0.35
19-24p	±0.40	±0.40

SIGN	DATE	DESCRIPTION	APPROVER
△	01/26'10	Soldering temperature changed from 245°C to 250°C	Tason
△	01/26'10	Part No. is changed	Tason
△	03/18'11	Add is " TUV " and Torque is changed	Juany
△	01/08'14	change the structure	Guoxue

THIS IS CAD DRAWING, DO NOT REVISE MANUALLY!!!

Material:

- ItemⒶ Terminal housing :Thermoplastic (UL 94V-0)
- ItemⒷ Clamp : Brass,Ni plated
- ItemⒸ Wire guard solder pin : Brass,Tin plated
- ItemⒹ Terminal screw: Steel Zinc plating"-slot type

△ Electrical cULus / TUV

- Voltage rating: 300V / 300V
- Current rating: 10A / 12A
- Wire range: 0.2~1.5mm²
- Solid wire(AWG): 16-24
- Stranded wire(AWG): 16-24

△ ● Torque: 1.7 Lb-In / 0.2Nm (stackable type: 1.5Kgf·cm)

- Screw: M2
- Wire strip length: 5-6mm
- Withstanding Voltage: 1.6KV / 1.25KV
- Operating temperature: -40°C to +115°C

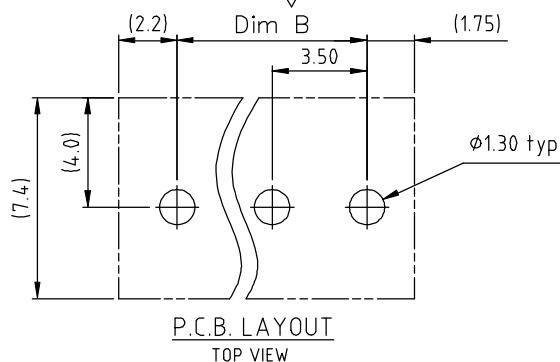
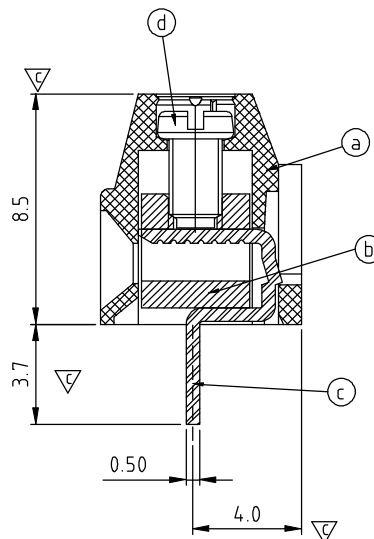
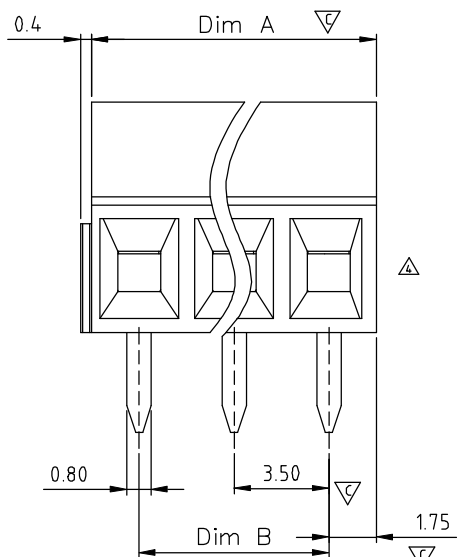
△ ● Soldering temperature: 260°C±5°C/5 Sec

- Safety Approval: cULus △ TUV
- Critical dimension: ∇

△ YO xx 01 x 0 xxxx G

RoHS compliant
 (Lead<4%)
 In copper Alloy

No. of poles	Color	Notes
0	Black (RAL9005)	
02	2 POLES Red (RAL3001/D)	0000 Standard @ Logo
03	3 POLES Orange(RAL2011/P)	000A Standard ANY Logo
...	...	Any special item by customer request, please contact sales department.
24	24 POLES Green(RAL6018/T)	
	6 Blue (RAL5015/A)	
	8 Grey(RAL7035/D)	
	9 White(RAL1102)	
	C Green(RAL6018/U)	



ANYTEK				CUSTOMER COPY			
ALL RIGHTS RESERVED. REPRODUCTION OR ISSUE TO THIRD PARTIES IN ANY FORM WHATSOEVER IS NOT PERMITTED WITHOUT WRITTEN AUTHORITY FROM THE PROPRIETOR. PROPERTY OF ANYTEK TECHNOLOGY CO., LTD							
TITLE		YO 3.5 Series 2P-24P					
PART NO.		YOxx010xxxxG			DWG NO.		8Y00001
APPROVED		CHECKED		DESIGNED		DRAWN	
				Guoxue 2014.01.25		Guoxue 2014.01.25	
				CUST NO.		Tolerance	
						UNIT: mm	
						SCALE: NONE	
						SHEET: 01/01	
				REV.: G		X. ±0.50 X.X ±0.30 X.XX ±0.10 X° ±1°	