



N = Number of poles
 Dim A=Nx3.5
 Dim B=(N-1)x3.5

| Poles | Dim A | Dim B |
|--------|-------|-------|
| 2-6p | ±0.15 | ±0.15 |
| 7-12p | ±0.25 | ±0.25 |
| 13-18p | ±0.35 | ±0.35 |
| 19-24p | ±0.40 | ±0.40 |

| SIGN | DATE | DESCRIPTION | APPROVER |
|------|----------|---|----------|
| △ | 01/26'10 | Soldering temperature changed from 245°C to 250°C | Tason |
| △ | 01/26'10 | Part No. is changed | Tason |
| △ | 03/18'11 | Add is " TUV " and Torque is changed | Juany |
| △ | 01/08'14 | change the structure | Guoxue |

THIS IS CAD DRAWING, DO NOT REVISE MANUALLY!!!

Material:

- ItemⒶ Terminal housing :Thermoplastic (UL 94V-0)
- ItemⒷ Clamp : Brass,Ni plated
- ItemⒸ Wire guard solder pin : Brass,Tin plated
- ItemⒹ Terminal screw: Steel Zinc plating"-slot type

△ Electrical cULus / TUV

- Voltage rating: 300V / 300V
- Current rating: 10A / 12A
- Wire range: 0.2~1.5mm²
- Solid wire(AWG): 16-24
- Stranded wire(AWG): 16-24

△ ● Torque: 1.7 Lb-In / 0.2Nm (stackable type: 1.5Kgf·cm)

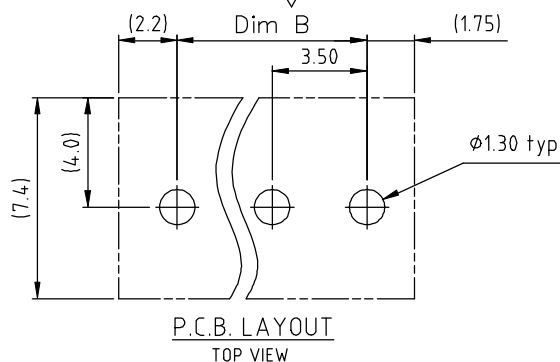
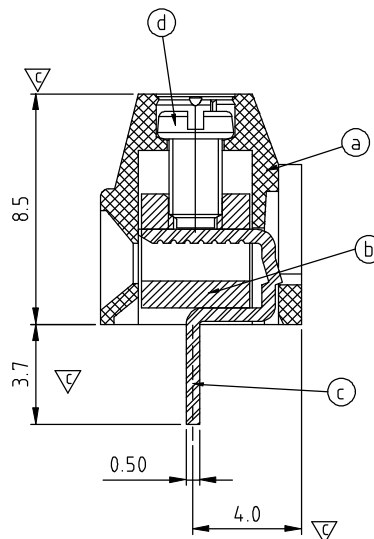
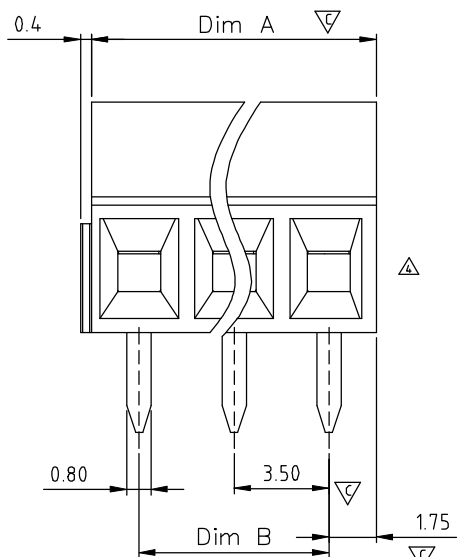
- Screw: M2
- Wire strip length: 5-6mm
- Withstanding Voltage: 1.6KV / 1.25KV
- Operating temperature: -40°C to +115°C

△ ● Soldering temperature: 260°C±5°C/5 Sec

- Safety Approval: cULus △ TUV
- Critical dimension: ∇

△ YO xx 01 x 0 xxxx G

| | | |
|--------------|---------------------|--|
| No. of poles | 0 Black (RAL9005) | RoHS compliant (Lead<4%) In copper Alloy |
| 02 2 POLES | 2 Red (RAL3001/D) | 0000 Standard @ Logo |
| 03 3 POLES | 3 Orange(RAL2011/P) | 000A Standard ANY Logo |
| ... | 4 Yellow(RAL1018/A) | Any special item by customer request, please contact sales department. |
| 24 24 POLES | 5 Green(RAL6018/T) | |
| | 6 Blue (RAL5015/A) | |
| | 8 Grey(RAL7035/D) | |
| | 9 White(RAL1102) | |
| | C Green(RAL6018/U) | |



| | | | | | | |
|-----------------|----------------------|------------------------|-------------------|--|---------|------------|
| <h1>ANYTEK</h1> | | <h2>CUSTOMER COPY</h2> | | | | |
| | | | | <small>ALL RIGHTS RESERVED. REPRODUCTION OR ISSUE TO THIRD PARTIES IN ANY FORM WHATSOEVER IS NOT PERMITTED WITHOUT WRITTEN AUTHORITY FROM THE PROPRIETOR. PROPERTY OF ANYTEK TECHNOLOGY CO., LTD</small> | | |
| TITLE | YO 3.5 Series 2P-24P | | | DWG NO. | 8Y00001 | |
| PART NO. | YOxx010xxxxG | | | CUST NO. | | |
| APPROVED | CHECKED | DESIGNED | DRAWN | | | Tolerance |
| | | Guoxue 2014.01.25 | Guoxue 2014.01.25 | | | UNIT: mm |
| | | | | SHEET: 01/01 | REV.: G | X.X ±0.30 |
| | | | | | | X.XX ±0.10 |
| | | | | | | X° ±1° |