

MICRO SWITCH

A DIVISION OF MINNEAPOLIS-HONEYWELL REGULATOR COMPANY
FREDERICK, MARYLAND

FED. MFR. CODE 91929

ACTUATOR - SWITCH

CATALOG LISTING

AD372IR

(M) AD372IR
ISSUE 1

AD372IR

M

DRAWING NUMBER

88

ISSUE 5

REPLACES

RELEASE NO.

29 MAR. 56

C.N.T.

CHECK

28 MAR. 56

B.L.S.

CHECK

30 MAR. 56

CHECK

13 DEC. 55

CHECK

74-26

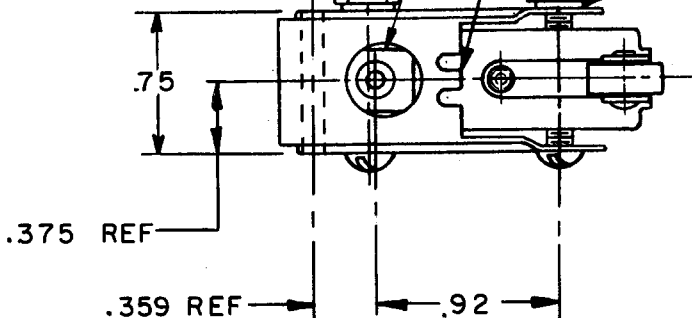
FREE POSITION
ADJUSTMENT TAB

OPERATING POSITION
ADJUSTMENT TAB

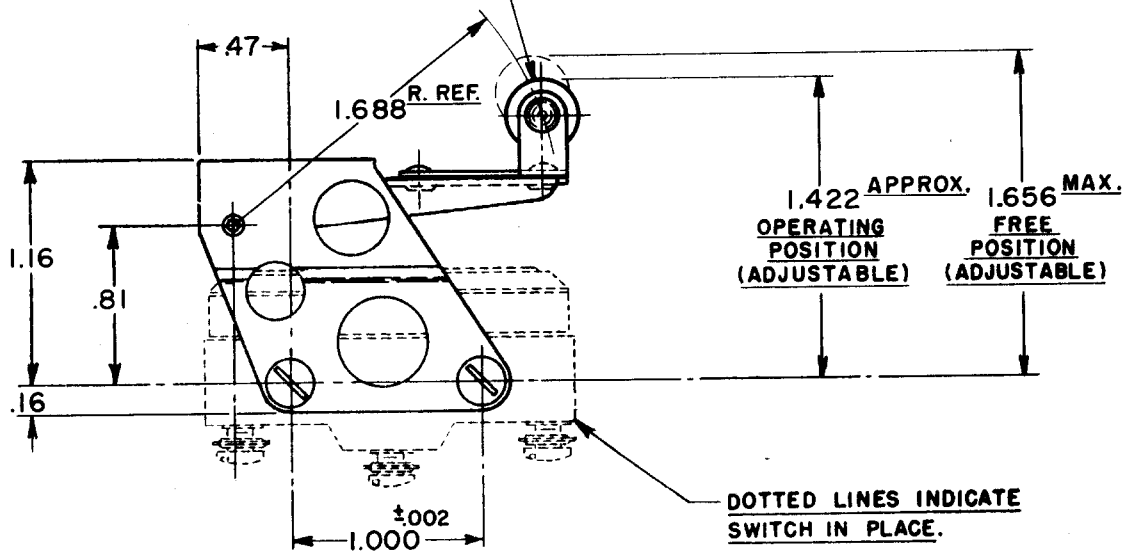
(2) 6-32 NC x 1.125^{REF} ROUND HEAD MACHINE
SCREW

(2) 6-32 NC HEX NUT

(2) LOCKWASHER



.38 DIA. x .16 WIDE HARDENED STEEL ROLLER.



NOTE:
SCREWS, NUTS, AND LOCKWASHERS FURNISHED UNASSEMBLED.

THIS DRAWING COVERS A PROPRIETARY ITEM AND IS THE PROPERTY OF MICRO SWITCH, A DIVISION OF HONEYWELL. THIS DRAWING IS NOT TO BE COPIED OR USED WITHOUT THE APPROVAL OF MICRO SWITCH.

CHARACTERISTICS

OVERTRAVEL ----- .375 APPROX.

ELECTRICAL DATA

CONTACT ARRANGEMENT

BREAK DISTANCE

SCALE FULL

DO NOT SCALE PRINT

UNLESS OTHERWISE SPECIFIED DIMENSIONS ARE IN INCHES
TOLERANCES ARE:

ONE PLACE	(.0)	±.030
TWO PLACE	(.00)	±.015
THREE PLACE	(.000)	±.008
ANGLES		±

WEIGHT