

MICRO SWITCH

A DIVISION OF MINNEAPOLIS-HONEYWELL REGULATOR COMPANY
FREDERICK, MARYLAND

FED. MFR. CODE 91929

ACTUATOR - SWITCH

(M) AD372IR
ISSUE 1

AD372IR

M

DRAWING NUMBER

88

ISSUE 5

REPLACES

RELEASE NO.

29 MAR. 56

C.N.T.

CHECK

28 MAR. 56

B.L.S.

25 APR 78

CHECK

30 MAR. 56

G.C.H.

13 DEC. 55

CHECK

13 DEC. 55

CHECK

13 DEC. 55

CHECK

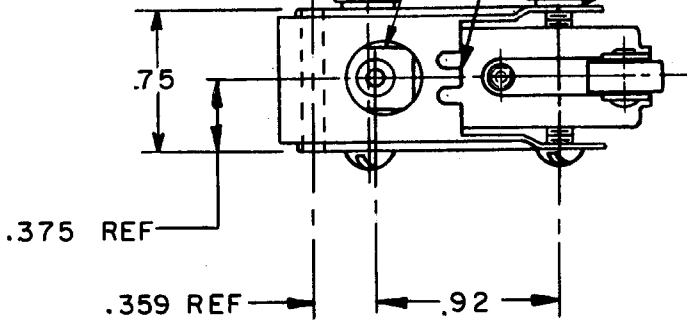
FREE POSITION
ADJUSTMENT TAB

OPERATING POSITION
ADJUSTMENT TAB

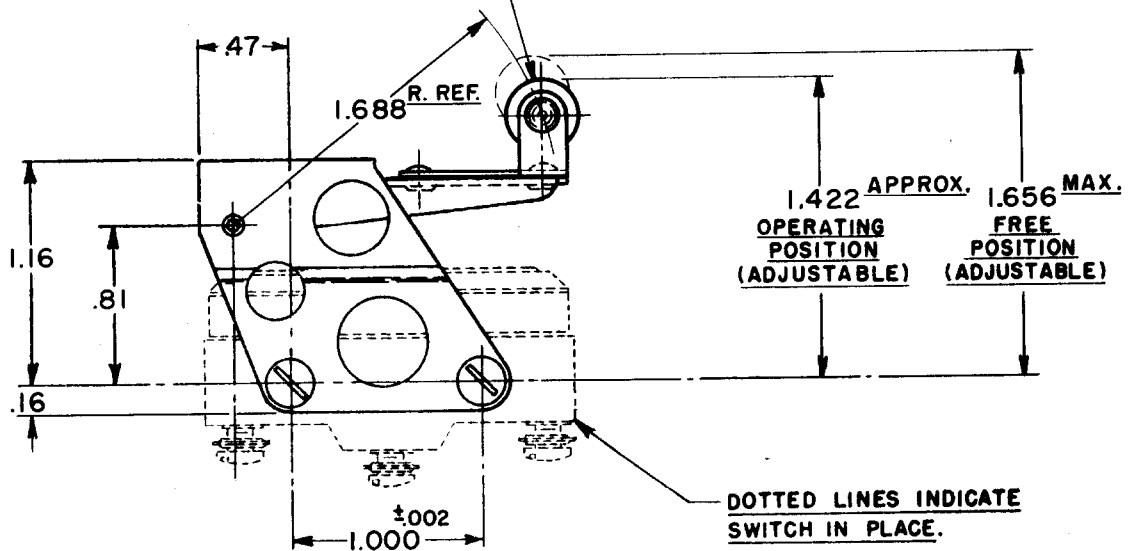
(2) 6-32 NC x 1.125^{REF} ROUND HEAD MACHINE
SCREW

(2) 6-32 NC HEX NUT

(2) LOCKWASHER



.38 DIA. x .16 WIDE HARDENED STEEL ROLLER.



DOTTED LINES INDICATE
SWITCH IN PLACE.

NOTE ÷

SCREWS, NUTS, AND LOCKWASHERS FURNISHED UNASSEMBLED.

THIS DRAWING COVERS A PROPRIETARY ITEM AND IS THE PROPERTY OF MICRO SWITCH, A DIVISION OF HONEYWELL. THIS DRAWING IS NOT TO BE COPIED OR USED WITHOUT THE APPROVAL OF MICRO SWITCH.

CHARACTERISTICS

ELECTRICAL DATA

SCALE FULL

OVERTRAVEL ----- .375 APPROX.

CONTACT ARRANGEMENT

BREAK DISTANCE

DO NOT SCALE PRINT

UNLESS OTHERWISE SPECIFIED
DIMENSIONS ARE IN INCHES
TOLERANCES ARE:

ONE PLACE	(.0)	±.030
TWO PLACE	(.00)	±.015
THREE PLACE	(.000)	±.008
ANGLES		±

WEIGHT