

# MICRO SWITCH

A DIVISION OF MINNEAPOLIS-HONEYWELL REGULATOR COMPANY  
FREDERICK, MARYLAND

FED. MFR. CODE 91929

# ACTUATOR - SWITCH

CATALOG LISTING

## AD372IR

(M) AD372IR  
ISSUE 1

AD372IR

M

DRAWING NUMBER

ISSUE 5

REPLACES

RELEASE NO.

29 MAR. 56

C.N.T.

CHECK

28 MAR. 56

B.L.S.

CHECK

30 MAR. 56

CHECK

13 DEC. 55

CHECK

74-26

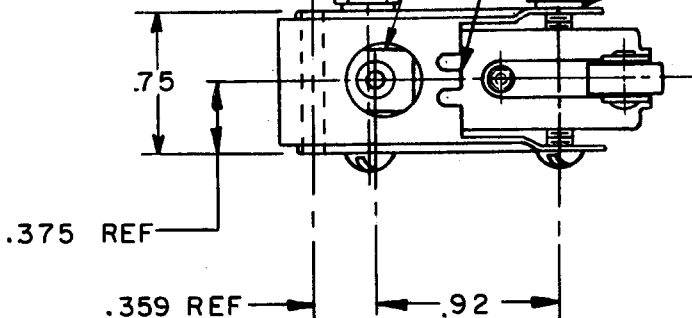
FREE POSITION  
ADJUSTMENT TAB

OPERATING POSITION  
ADJUSTMENT TAB

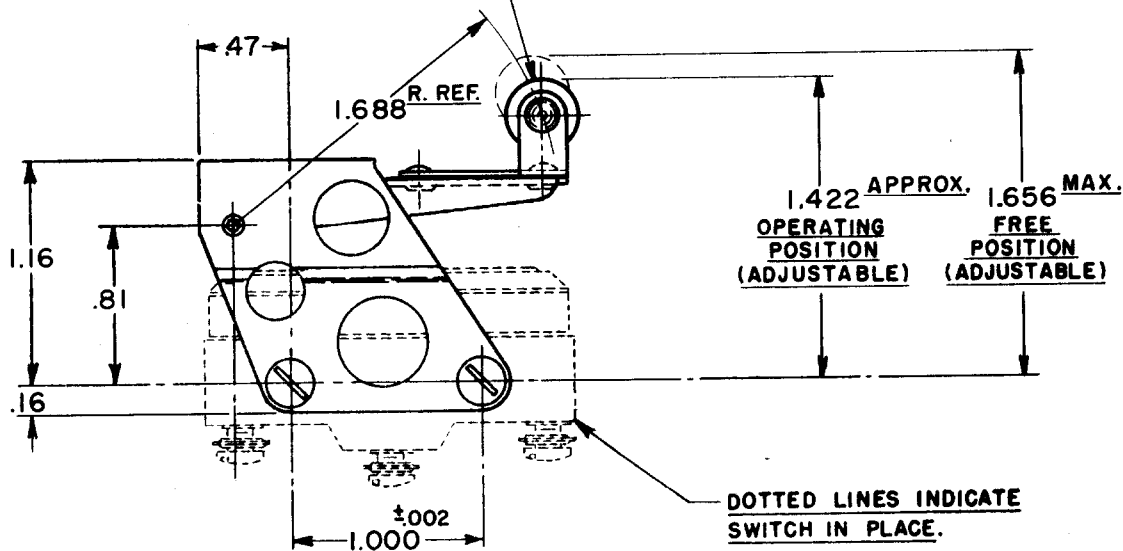
(2) 6-32 NC x 1.125<sup>REF</sup> ROUND HEAD MACHINE  
SCREW

(2) 6-32 NC HEX NUT

(2) LOCKWASHER



.38 DIA. x .16 WIDE HARDENED STEEL ROLLER.



NOTE

SCREWS, NUTS, AND LOCKWASHERS FURNISHED UNASSEMBLED.

THIS DRAWING COVERS A PROPRIETARY ITEM AND IS THE PROPERTY OF MICRO SWITCH, A DIVISION OF HONEYWELL. THIS DRAWING IS NOT TO BE COPIED OR USED WITHOUT THE APPROVAL OF MICRO SWITCH.

### CHARACTERISTICS

OVERTRAVEL ----- .375 APPROX.

### ELECTRICAL DATA

CONTACT ARRANGEMENT

BREAK DISTANCE

### SCALE FULL

DO NOT SCALE PRINT

UNLESS OTHERWISE SPECIFIED DIMENSIONS ARE IN INCHES  
**TOLERANCES ARE:**

ONE PLACE	(.0)	±.030
TWO PLACE	(.00)	±.015
THREE PLACE	(.000)	±.008
ANGLES		±

WEIGHT