

Glenair Connector
Designator E

MIL-DTL-26500

MS27291-401

Basic Part No.

Dash No.

**INACTIVE FOR
NEW DESIGN OR
MODIFICATION
OF EXISTING
EQUIPMENT**

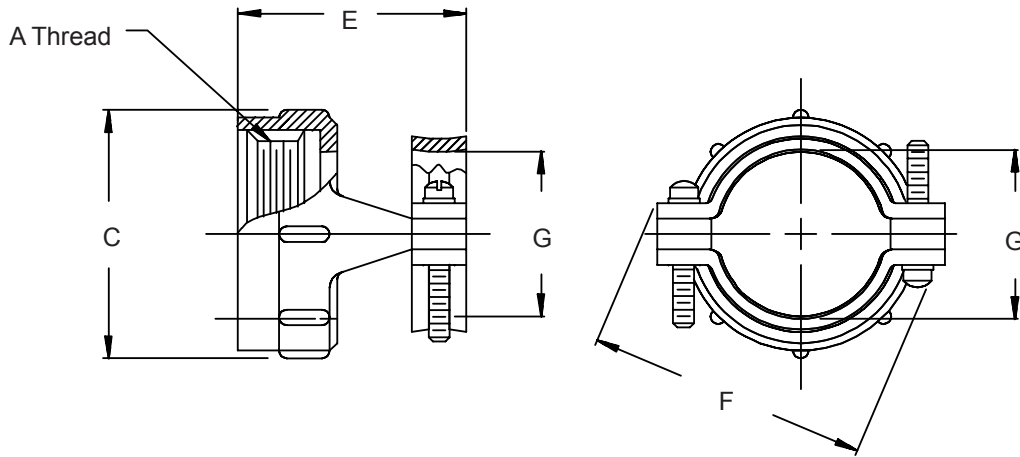


TABLE I

Dash No. For Use With Class Connectors			Shell Size Ref.	A Thread Class 2B	C Max	E		F Max	G Dia	
R and F	G	± 015				(.4)	± 005		(.1)	
1	101	10	.562 - 24 UNEF	.731 (18.6)	.935 (23.7)	.914 (23.2)	.270 (6.9)			
2	201	12	.750 - 20 UNEF	.919 (23.3)	.935 (23.7)	1.026 (26.1)	.400 (10.2)			
3	301	14	.812 - 20 UNEF	.981 (24.9)	1.170 (29.7)	1.090 (27.7)	.460 (11.7)			
4	401	16	.938 - 20 UNEF	1.106 (28.1)	1.170 (29.7)	1.250 (31.8)	.610 (15.5)			
5	501	18	1.062 - 18 UNEF	1.231 (31.3)	1.170 (29.7)	1.358 (34.5)	.690 (17.5)			
6	601	22	1.312 - 18 UNEF	1.481 (37.6)	1.170 (29.7)	1.604 (40.7)	.940 (23.9)			
13	701	8	.438 - 28 UNEF	.606 (15.4)	.935 (23.7)	.789 (20.0)	.186 (4.7)			
14	801	20	1.188 - 18 UNEF	1.356 (34.4)	1.170 (29.7)	1.481 (37.6)	.816 (20.7)			
15	901	24	1.438 - 18 UNEF	1.606 (40.8)	1.170 (29.7)	1.729 (43.9)	1.066 (27.1)			

1. For complete dimensions see applicable Military Specification.
2. Metric dimensions (mm) are indicated in parentheses.
3. Finish: Anodize.