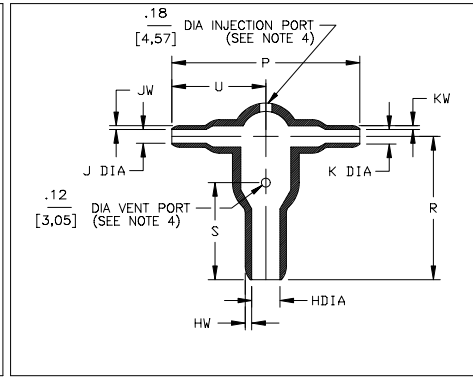
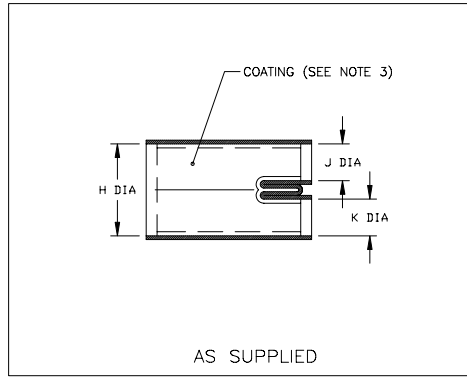


# Molded Parts Specification Control Drawing

Part Number : 302A012 thru 037  
Description : Transition, T

## NOTES

- All dimensions are in  $\frac{\text{inches}}{\text{[millimeters]}}$
- Dimensions appearing in table are as follows:
  - a - As Supplied
  - b - After Unrestricted Recovery
- Coating is optional. As supplied dimensions appearing in table are for uncoated parts. When coating is added, entry diameters will be reduced by .06 max.
- Molding ports are optional. When -00 modification number is specified molding ports will be located as shown.



PART NUMBER	H		J & K		P	R	S	U	HW	JW & KW	C°
	Min	Max	Min	Max	±10%	±10%	±10%	±10%	±20%	±20%	±5°
	a	b	a	b	b	b	b	b	b	b	b
302A012	.52 [13,2]	.24 [6,1]	.26 [6,6]	.12 [3,0]	1.41 [35,8]	1.04 [26,4]	.72 [18,3]	.70 [17,8]	.06 [1,5]	.04 [1,0]	90°
302A024	1.06 [26,9]	.49 [12,4]	.52 [13,2]	.24 [6,1]	2.64 [67,1]	2.14 [54,4]	1.32 [33,5]	1.32 [33,5]	.10 [2,5]	.06 [1,5]	90°
302A037	2.19 [55,6]	1.00 [25,4]	1.06 [26,9]	.49 [12,4]	5.73 [145,5]	4.44 [112,8]	3.10 [78,7]	2.86 [72,6]	.18 [4,6]	.10 [2,5]	90°



TYCO ELECTRONICS  
307 CONSTITUTION DRIVE  
MENLO PARK, CALIFORNIA 94025

Revision : L  
Date : 11/2/01

Part Number : 302A012 thru 037  
Description : Transition, T

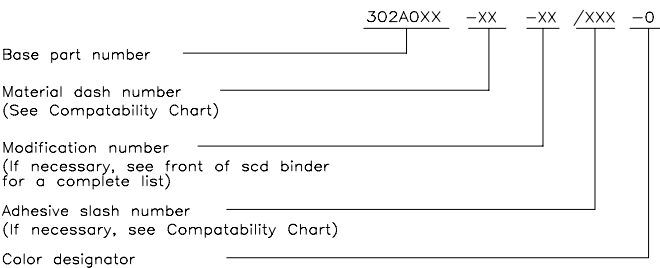
# Molded Parts Specification Control Drawing

Part Number : 302A012 thru 037  
Description : Transition, T

MATERIAL DASH NO.	MATERIAL DESCRIPTION	RT SPEC	COATING SLASH NO.	COATING S NO.	COATING DESCRIPTION
-3	Polyolefin, Semi-rigid	RT-301	/42;/86	S-1017;S-1048	Adhesive
-4	Polyolefin, Flexible	RT-1304	/42;/86	S-1017;S-1048	Adhesive
-5	Elastomer, Flexible	RT-501	N/A		
-6	Silicone	RT-602	N/A		
-12	*VITON, Flexible	RT-1312	N/A		
-25	Elastomer, Fluid Resistant	RT-1325	/86;/225	S-1048;S-1206	Adhesive
-52	Polyolefin, Nuclear	RT-1508	N/A		
-100	Polyolefin, Semi-Flexible ZEROHAL™	RT-1323	/86	S-1048	Adhesive

\*VITON is a Registered Trademark of Dupont

## ORDERING INFORMATION



THIS DRAWING IS SUBJECT TO CHANGE WITHOUT NOTICE; CONSULT YOUR NEAREST FIELD REPRESENTATIVE FOR CURRENT REVISION

If this document is printed it becomes uncontrolled.  
Check for the latest revision.



TYCO ELECTRONICS  
307 CONSTITUTION DRIVE  
MENLO PARK, CALIFORNIA 94025

Revision : L  
Date : 11/2/01

Part Number : 302A012 thru 037  
Description : Transition, T