

Aluminum Enclosed Motor Disconnect Switch

- UL Type 4
- Excellent in harsh weather conditions
- UV resistant
- Resistant to many chemicals
- IP66 Protection Level
- Lockable and Defeatable Handle



 All Models are lockable with up to 3 padlocks.

NEW

Catalog Number

| | | | | |
|-------------------------|------------------------------|-----------------------------|------------------------------|------------------------------|
| Black Handle | KEA380CUL | KEA380UL | KEA3100UL | KEA3125UL |
| Yellow/Red Handle | KEA380CUL Y/R | KEA380UL Y/R | KEA3100UL Y/R | KEA3125UL Y/R |
| No. of Poles | 3 (4 pole - KEA480CUL (Y/R)) | 3 (4 pole - KEA480UL (Y/R)) | 3 (4 pole - KEA4100UL (Y/R)) | 3 (4 pole - KEA4125UL (Y/R)) |
| General Purpose Current | 80 A | 80 A | 100 A | 125 A |
| Maximum Voltage | 600V AC | 600V AC | 600V AC | 600V AC |
| Motor FLA @ 480V AC | 40 A | — | — | — |
| Motor FLA @ 600V AC | 32A | 47 A | 54 A | 68 A |

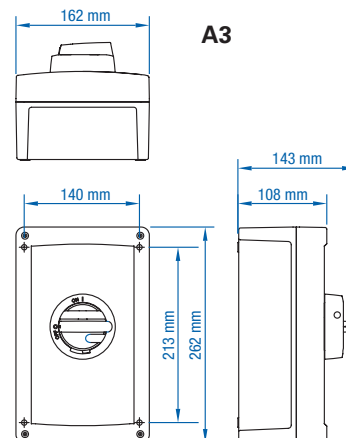
| Horsepower Rating/HP | KEA380CUL | | KEA380UL | | KEA3100UL | | KEA3125UL | |
|----------------------|-----------|---------|----------|---------|-----------|---------|-----------|---------|
| | 1 Phase | 3 Phase | 1 Phase | 3 Phase | 1 Phase | 3 Phase | 1 Phase | 3 Phase |
| 110-120V AC | 5 | 7.5 | 3 | 7.5 | 3 | 7.5 | 5 | 10 |
| 200V AC | 7.5 | 10 | 7.5 | 10 | 7.5 | 15 | 10 | 20 |
| 208V AC | 7.5 | 10 | 7.5 | 15 | 7.5 | 15 | 10 | 20 |
| 220-240V AC | 10 | 15 | 7.5 | 15 | 10 | 20 | 15 | 25 |
| 265V AC | — | 15 | 10 | 20 | 10 | 20 | 15 | 25 |
| 277V AC | — | 15 | 10 | 20 | 10 | 20 | 15 | 30 |
| 380-415V AC | — | 25 | 15 | 25 | 15 | 30 | 20 | 40 |
| 440-480V AC | — | 30 | 20 | 30 | 20 | 40 | 30 | 50 |
| 550-600V AC | — | 30 | 25 | 40 | 30 | 50 | 30 | 60 |

| Short Circuit Withstand Rating at 600 V with Max. Fuse Size/Class: | KEA380CUL | | KEA380UL | | KEA3100UL | | KEA3125UL | |
|--|-----------|---------|----------|---------|-----------|---------|-----------|---------|
| | 1 Phase | 3 Phase | 1 Phase | 3 Phase | 1 Phase | 3 Phase | 1 Phase | 3 Phase |
| | 10 kA | 10 kA | 10 kA | 10 kA | 10 kA | 10 kA | 10 kA | 10 kA |
| K5 | 30 A | 150 A | 150 A | 150 A | 150 A | 150 A | 150 A | 150 A |
| RK5 | 30 A | 150 A | 150 A | 150 A | 150 A | 150 A | 150 A | 150 A |
| RK1 | 60 A | — | — | — | — | — | — | — |
| J | 100 A | 200 A | 200 A | 200 A | 200 A | 200 A | 200 A | 200 A |

| Terminal Size Acceptability (Cu Conductors only, 75 °C) | KEA380CUL | | KEA380UL | | KEA3100UL | | KEA3125UL | |
|--|---------------------|---------------------|---------------------|---------------------|---------------------|---------------------|---------------------|---------------------|
| | 1 Phase | 3 Phase | 1 Phase | 3 Phase | 1 Phase | 3 Phase | 1 Phase | 3 Phase |
| | 12-4 AWG | 12-4 AWG | 8-1/0 AWG | 8-1/0 AWG | 8-1/0 AWG | 8-1/0 AWG | 8-1/0 AWG | 8-1/0 AWG |
| Terminal Torque | 16 lb. in. (1.8 Nm) | 16 lb. in. (1.8 Nm) | 50 lb. in. (5.6 Nm) | 50 lb. in. (5.6 Nm) | 50 lb. in. (5.6 Nm) | 50 lb. in. (5.6 Nm) | 50 lb. in. (5.6 Nm) | 50 lb. in. (5.6 Nm) |
| Screw Head Type | No. 2 Pozidrive | No. 2 Pozidrive | 5 mm Allen Key | 5 mm Allen Key | 5 mm Allen Key | 5 mm Allen Key | 5 mm Allen Key | 5 mm Allen Key |
| Environmental Rating | UL Type 4 | UL Type 4 | UL Type 4 | UL Type 4 | UL Type 4 | UL Type 4 | UL Type 4 | UL Type 4 |
| Enclosure Type Used | A3 | A3 | A3 | A3 | A3 | A3 | A3 | A3 |

Dimensions

(to convert to inches multiply by 0.03937)



| Weight | KEA380CUL | KEA380UL | KEA3100UL | KEA3125UL |
|--------|-------------------|-------------------|-------------------|-------------------|
| | 2.3 kg (5.07 lb.) | 2.3 kg (5.07 lb.) | 2.3 kg (5.07 lb.) | 2.3 kg (5.07 lb.) |

Suitable Accessories

| Auxiliary Contacts | KEA380CUL | KEA380UL | KEA3100UL | KEA3125UL |
|--------------------|--------------|----------------|----------------|----------------|
| | KU1.V, KU2.V | VKA1.V, VKA2.V | VKA1.V, VKA2.V | VKA1.V, VKA2.V |