


Aluminum Enclosed Motor Disconnect Switch

- UL Type 4
- Excellent in harsh weather conditions
- UV resistant
- Resistant to many chemicals
- IP66 Protection Level
- Lockable and Defeatable Handle



 All Models are lockable with up to 3 padlocks.

NEW

Catalog Number

Black Handle	KEA380CUL	KEA380UL	KEA3100UL	KEA3125UL
Yellow/Red Handle	KEA380CUL Y/R	KEA380UL Y/R	KEA3100UL Y/R	KEA3125UL Y/R
No. of Poles	3 (4 pole - KEA480CUL (Y/R))	3 (4 pole - KEA480UL (Y/R))	3 (4 pole - KEA4100UL (Y/R))	3 (4 pole - KEA4125UL (Y/R))
General Purpose Current	80 A	80 A	100 A	125 A
Maximum Voltage	600V AC	600V AC	600V AC	600V AC
Motor FLA @ 480V AC	40 A	—	—	—
Motor FLA @ 600V AC	32A	47 A	54 A	68 A

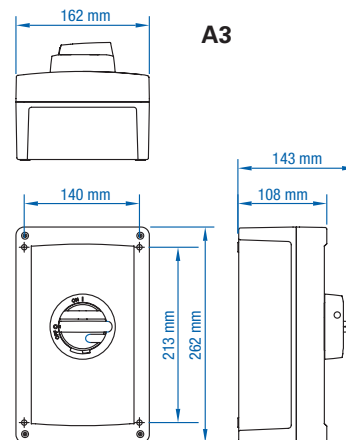
Horsepower Rating/HP	KEA380CUL		KEA380UL		KEA3100UL		KEA3125UL	
	1 Phase	3 Phase	1 Phase	3 Phase	1 Phase	3 Phase	1 Phase	3 Phase
110-120V AC	5	7.5	3	7.5	3	7.5	5	10
200V AC	7.5	10	7.5	10	7.5	15	10	20
208V AC	7.5	10	7.5	15	7.5	15	10	20
220-240V AC	10	15	7.5	15	10	20	15	25
265V AC	—	15	10	20	10	20	15	25
277V AC	—	15	10	20	10	20	15	30
380-415V AC	—	25	15	25	15	30	20	40
440-480V AC	—	30	20	30	20	40	30	50
550-600V AC	—	30	25	40	30	50	30	60

Short Circuit Withstand Rating at 600 V with Max. Fuse Size/Class:	KEA380CUL		KEA380UL		KEA3100UL		KEA3125UL	
	1 Phase	3 Phase	1 Phase	3 Phase	1 Phase	3 Phase	1 Phase	3 Phase
	10 kA		10 kA		10 kA		10 kA	
K5	30 A		150 A		150 A		150 A	
RK5	30 A		150 A		150 A		150 A	
RK1	60 A		—		—		—	
J	100 A		200 A		200 A		200 A	

Terminal Size Acceptability (Cu Conductors only, 75 °C)	KEA380CUL		KEA380UL		KEA3100UL		KEA3125UL	
	1 Phase	3 Phase	1 Phase	3 Phase	1 Phase	3 Phase	1 Phase	3 Phase
	12-4 AWG		8-1/0 AWG		8-1/0 AWG		8-1/0 AWG	
Terminal Torque	16 lb. in. (1.8 Nm)		50 lb. in. (5.6 Nm)		50 lb. in. (5.6 Nm)		50 lb. in. (5.6 Nm)	
Screw Head Type	No. 2 Pozidrive		5 mm Allen Key		5 mm Allen Key		5 mm Allen Key	
Environmental Rating	UL Type 4		UL Type 4		UL Type 4		UL Type 4	
Enclosure Type Used	A3		A3		A3		A3	

Dimensions

(to convert to inches multiply by 0.03937)



Weight	KEA380CUL	KEA380UL	KEA3100UL	KEA3125UL
	2.3 kg (5.07 lb.)	2.3 kg (5.07 lb.)	2.3 kg (5.07 lb.)	2.3 kg (5.07 lb.)

Suitable Accessories

Auxiliary Contacts	KEA380CUL	KEA380UL	KEA3100UL	KEA3125UL
	KU1.V, KU2.V	VKA1.V, VKA2.V	VKA1.V, VKA2.V	VKA1.V, VKA2.V