


# Aluminum Enclosed Motor Disconnect Switch

- UL Type 4
- Excellent in harsh weather conditions
- UV resistant
- Resistant to many chemicals
- IP66 Protection Level
- Lockable and Defeatable Handle



 All Models are lockable with up to 3 padlocks.

**NEW**

## Catalog Number

Black Handle	KEA380CUL	KEA380UL	KEA3100UL	KEA3125UL
Yellow/Red Handle	KEA380CUL Y/R	KEA380UL Y/R	KEA3100UL Y/R	KEA3125UL Y/R
No. of Poles	3 (4 pole - KEA480CUL (Y/R))	3 (4 pole - KEA480UL (Y/R))	3 (4 pole - KEA4100UL (Y/R))	3 (4 pole - KEA4125UL (Y/R))
General Purpose Current	80 A	80 A	100 A	125 A
Maximum Voltage	600V AC	600V AC	600V AC	600V AC
Motor FLA @ 480V AC	40 A	—	—	—
Motor FLA @ 600V AC	32A	47 A	54 A	68 A

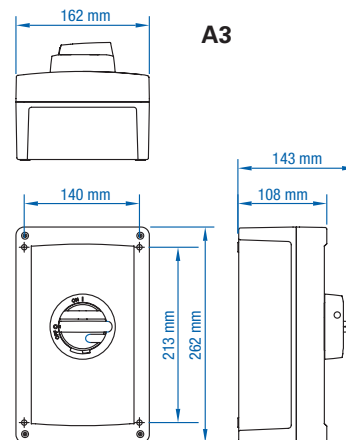
Horsepower Rating/HP	KEA380CUL		KEA380UL		KEA3100UL		KEA3125UL	
	1 Phase	3 Phase	1 Phase	3 Phase	1 Phase	3 Phase	1 Phase	3 Phase
110-120V AC	5	7.5	3	7.5	3	7.5	5	10
200V AC	7.5	10	7.5	10	7.5	15	10	20
208V AC	7.5	10	7.5	15	7.5	15	10	20
220-240V AC	10	15	7.5	15	10	20	15	25
265V AC	—	15	10	20	10	20	15	25
277V AC	—	15	10	20	10	20	15	30
380-415V AC	—	25	15	25	15	30	20	40
440-480V AC	—	30	20	30	20	40	30	50
550-600V AC	—	30	25	40	30	50	30	60

Short Circuit Withstand Rating at 600 V with Max. Fuse Size/Class:	KEA380CUL		KEA380UL		KEA3100UL		KEA3125UL	
	1 Phase	3 Phase	1 Phase	3 Phase	1 Phase	3 Phase	1 Phase	3 Phase
	10 kA	10 kA	10 kA	10 kA	10 kA	10 kA	10 kA	10 kA
K5	30 A	150 A	150 A	150 A	150 A	150 A	150 A	150 A
RK5	30 A	150 A	150 A	150 A	150 A	150 A	150 A	150 A
RK1	60 A	—	—	—	—	—	—	—
J	100 A	200 A	200 A	200 A	200 A	200 A	200 A	200 A

Terminal Size Acceptability (Cu Conductors only, 75 °C)	KEA380CUL		KEA380UL		KEA3100UL		KEA3125UL	
	1 Phase	3 Phase	1 Phase	3 Phase	1 Phase	3 Phase	1 Phase	3 Phase
	12-4 AWG	12-4 AWG	8-1/0 AWG	8-1/0 AWG	8-1/0 AWG	8-1/0 AWG	8-1/0 AWG	8-1/0 AWG
Terminal Torque	16 lb. in. (1.8 Nm)	16 lb. in. (1.8 Nm)	50 lb. in. (5.6 Nm)	50 lb. in. (5.6 Nm)	50 lb. in. (5.6 Nm)	50 lb. in. (5.6 Nm)	50 lb. in. (5.6 Nm)	50 lb. in. (5.6 Nm)
Screw Head Type	No. 2 Pozidrive	No. 2 Pozidrive	5 mm Allen Key	5 mm Allen Key	5 mm Allen Key	5 mm Allen Key	5 mm Allen Key	5 mm Allen Key
Environmental Rating	UL Type 4	UL Type 4	UL Type 4	UL Type 4	UL Type 4	UL Type 4	UL Type 4	UL Type 4
Enclosure Type Used	A3	A3	A3	A3	A3	A3	A3	A3

## Dimensions

(to convert to inches multiply by 0.03937)



Weight	2.3 kg (5.07 lb.)	2.3 kg (5.07 lb.)	2.3 kg (5.07 lb.)	2.3 kg (5.07 lb.)
--------	-------------------	-------------------	-------------------	-------------------

## Suitable Accessories

Auxiliary Contacts	KU1.V, KU2.V	VKA1.V, VKA2.V	VKA1.V, VKA2.V	VKA1.V, VKA2.V
--------------------	--------------	----------------	----------------	----------------