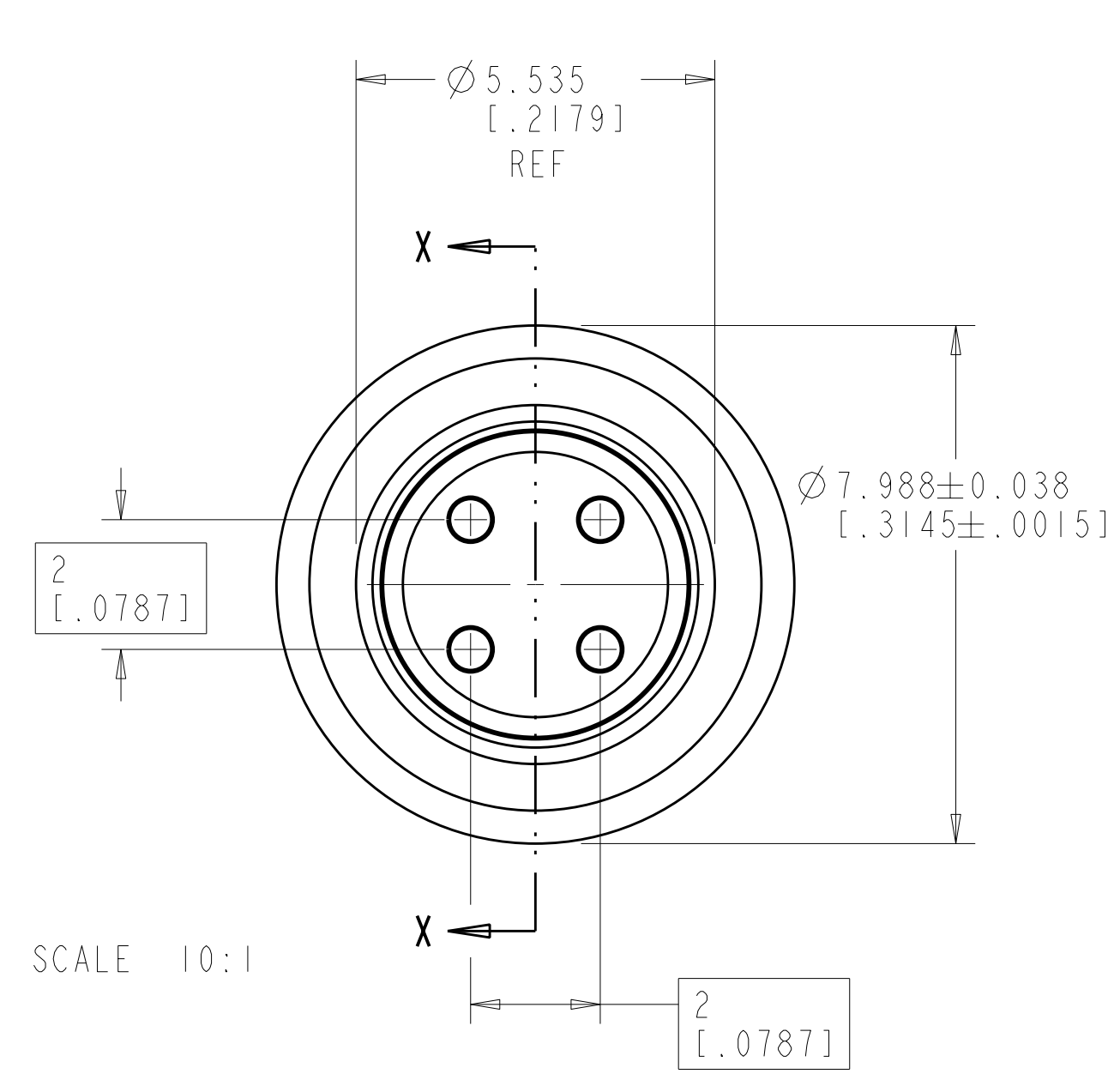
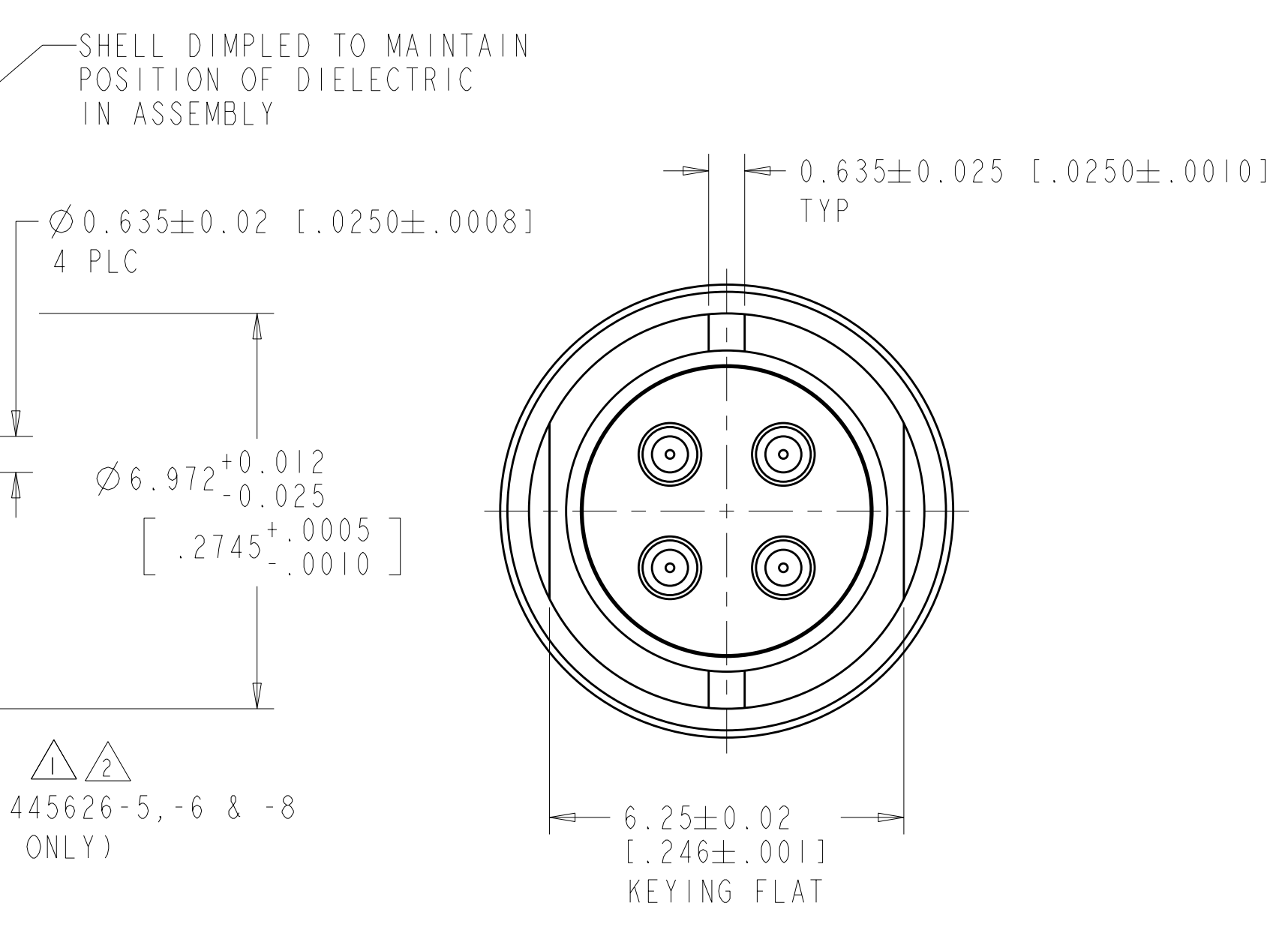
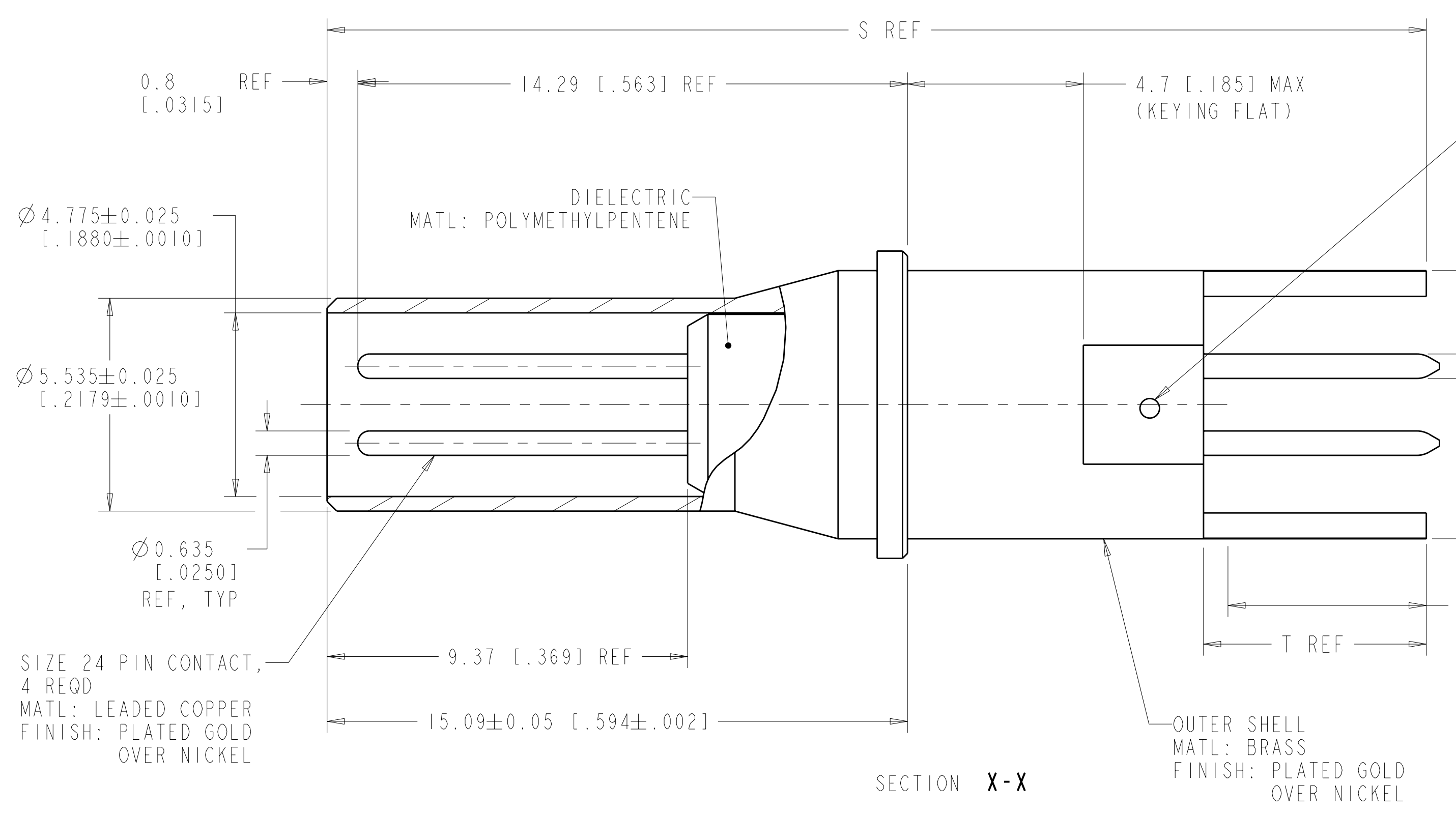


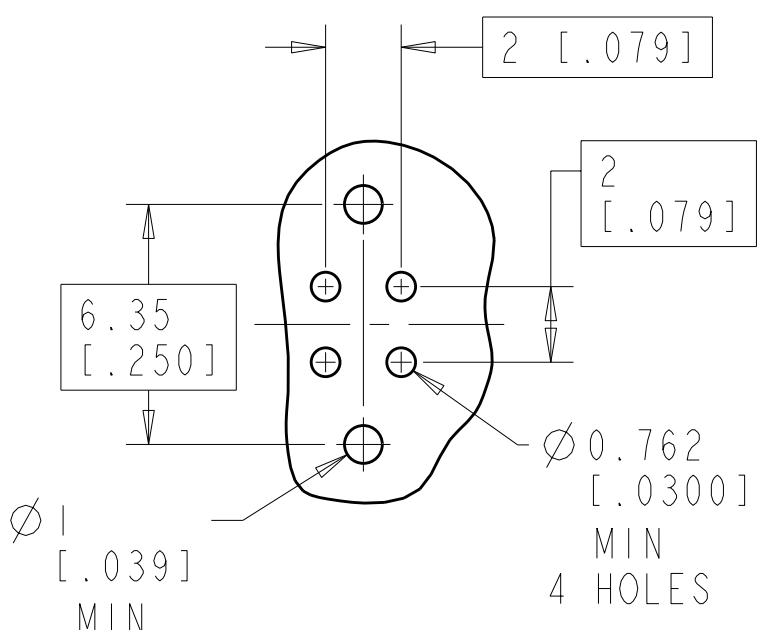
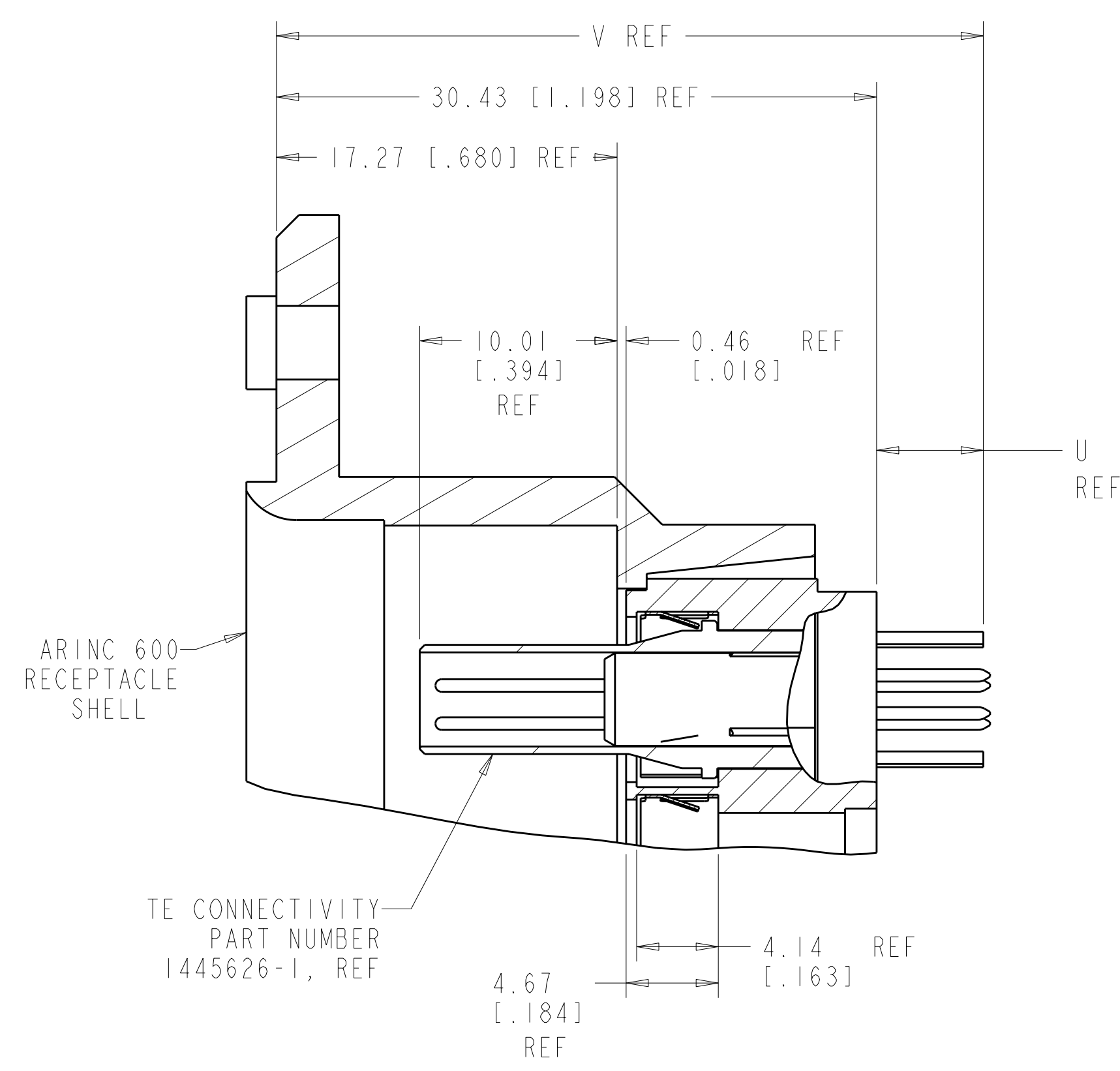
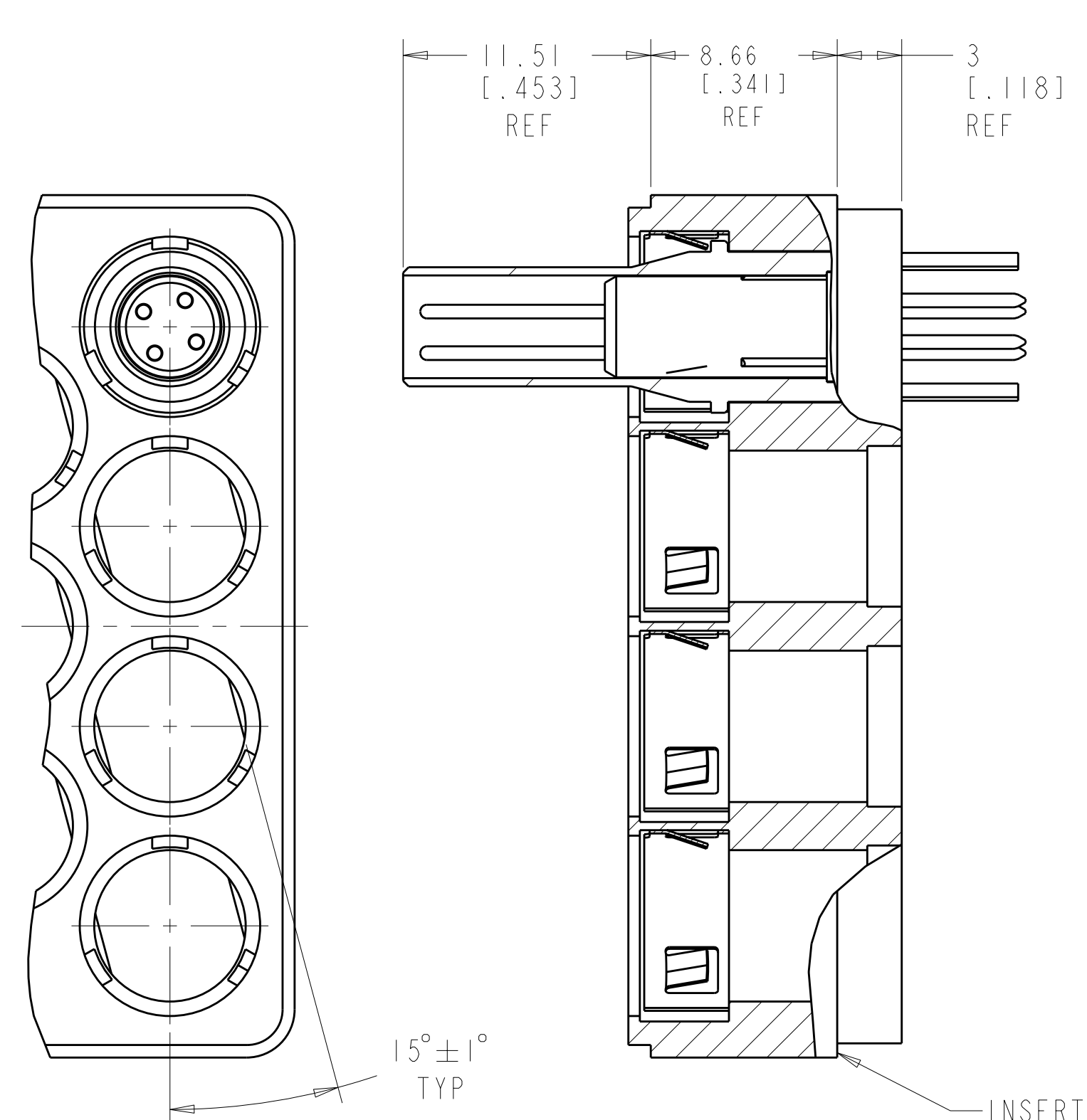
| LOC | DIST | REV | DATE   | BY | APPD |
|-----|------|-----|--------|----|------|
|     |      | K   | 2-7-12 | CT | DM   |



SCALE 10:1



△ THIS AREA SOLDER DIPPED. SOLDER TAIL DIMENSIONS APPLY PRIOR TO SOLDER DIP.  
 △ SOLDER IS RoHS COMPLIANT Sn.  
 3. CHARACTERISTIC IMPEDANCE: 100 OHMS NOMINAL



RECOMMENDED P.C. BOARD LAYOUT (ROTATED 15° CCW FOR EASE OF DOCUMENTATION)

QUADRAx PIN ASSY, 1445626-1, SHOWN INSTALLED IN ARINC 664, SIZE 2 INSERT WITH SIZE 8, FRONT RELEASE, FRONT REMOVABLE CAVITY

| V REF         | U REF        | T REF         | S REF         | DESCRIPTION   | PART NO.    |
|---------------|--------------|---------------|---------------|---|-------------|
| 37.49 [1.476] | 7.06 [1.278] | 8.25 [1.325]  | 30.25 [1.191] | SAME AS 1445626-9 EXCEPT TAILS ARE SOLDER DIPPED △    | 1-1445626-0 |
| 37.49 [1.476] | 7.06 [1.278] | 8.25 [1.325]  | 30.25 [1.191] | SAME AS 1445626-1 EXCEPT WITH .278 SOLDER TAIL LENGTH | 1445626-9   |
| 39.95 [1.573] | 9.52 [1.375] | 10.72 [1.422] | 33.50 [1.319] | SAME AS 1445626-2 EXCEPT TAILS ARE SOLDER DIPPED △    | 1445626-8   |
| 35.84 [1.411] | 5.41 [1.213] | 5.79 [1.228]  | 28.58 [1.125] | SAME AS 1445626-1 EXCEPT TAILS ARE SOLDER DIPPED △    | 1445626-6   |
| 36.78 [1.448] | 6.35 [1.250] | 7.54 [1.297]  | 30.33 [1.194] | SAME AS 1445626-4 EXCEPT TAILS ARE SOLDER DIPPED △    | 1445626-5   |
| 36.78 [1.448] | 6.35 [1.250] | 7.54 [1.297]  | 30.33 [1.194] | SAME AS 1445626-1 EXCEPT WITH .250 SOLDER TAIL LENGTH | 1445626-4   |
| 34.65 [1.364] | 4.2 [1.166]  | 4.60 [1.181]  | 27.38 [1.078] | SAME AS 1445626-1 EXCEPT WITH .166 SOLDER TAIL LENGTH | 1445626-3   |
| 39.95 [1.573] | 9.52 [1.375] | 10.72 [1.422] | 33.50 [1.319] | SAME AS 1445626-1 EXCEPT WITH .375 SOLDER TAIL LENGTH | 1445626-2   |
| 35.84 [1.411] | 5.41 [1.213] | 5.79 [1.228]  | 28.58 [1.125] | PER ARINC 664 STANDARD;                               | 1445626-1   |

THIS DRAWING IS A CONTROLLED DOCUMENT.

APPROVED: W.H. BERNHART, DATE: JAN2004

DESIGNED: Brent D. Toth, DATE: JAN2004

NAME: ASSEMBLY, PIN, QUADRAx, 2mm SO, FRONT RELEASE-FRONT REMOVABLE, ADN, WITH PIN CONTACTS

PRODUCT SPEC: 114-13123

SIZE: A1, CAGE CODE: 00779, DRAWING NO: 1445626

SCALE: 3:2, SHEET 1 OF 1, REV K