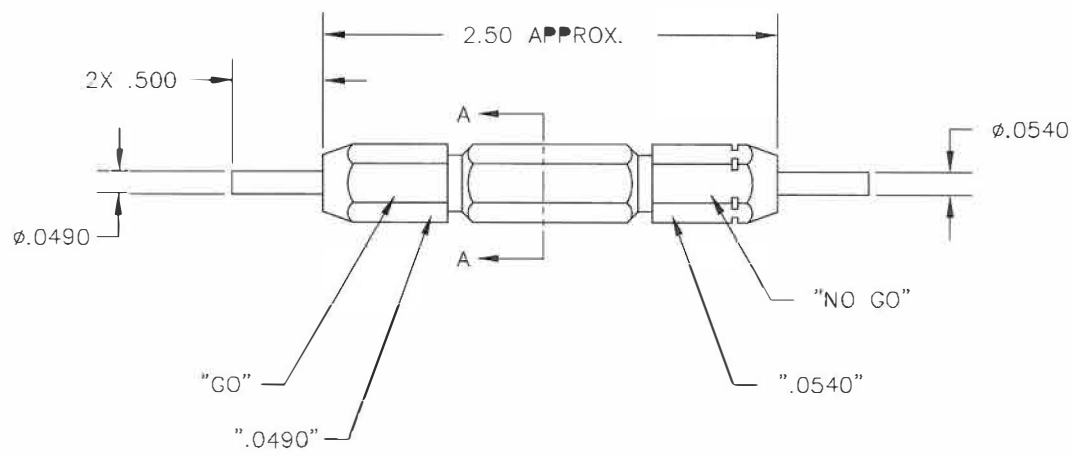


REVISIONS				
REV. SYM	E.C.O. NUMBER	DESCRIPTION	BY DATE	APP'D DATE
1		ORIGINAL RELEASE	JWJ 10/5/99	RRR 10/5/99

**UNCONTROLLED DOCUMENT  
WILL NOT BE UPDATED**

DIMENSIONS IN INCHES - UNLESS OTHERWISE SPECIFIED



<b>RESTRICTED &amp; CONFIDENTIAL</b> <small>CONFIDENTIAL PROPERTY OF DANIELS MANUFACTURING CORP. NOT TO BE DISCLOSED TO OTHERS, REPRODUCED OR USED FOR ANY OTHER PURPOSE, EXCEPT AS AUTHORIZED IN WRITING BY DANIELS MANUFACTURING. MUST BE RETURNED TO DANIELS MANUFACTURING CORP. ON COMPLETION OF ORDER OR OTHER PURPOSE FOR WHICH LENT.</small>	MATERIAL	ITEM	PART NO.	QTY.	DESCRIPTION/REMARKS
	HEAT TREAT	DRN.	J. JOYCE	DATE	10/5/99
		CHK'D.	RRR	DATE	10/5/99
	FINISH	APP'D.		DATE	
<small>NOTE: THIS DRAWING IS AN OUTLINE DRAWING OF THE RESPECTIVE DMC PART NUMBER INDICATED. ACTUAL DMC PART NUMBER IS DRAWING NUMBER WITHOUT THE "-ENV" SUFFIX.</small>					
DO NOT SCALE DRAWING				DANIELS MANUFACTURING CORP. ORLANDO, FLORIDA CAGE 11851	
		TITLE <b>GO/NO-GO GAGE ENVELOPE DRAWING</b>		WHERE USED: VM8	
		SIZE	SCALE	CAD P/N	SHEET OF
		B	NTS	G344-ENV	1 1
		POSTING	P/N	G344-ENV	REV. 1