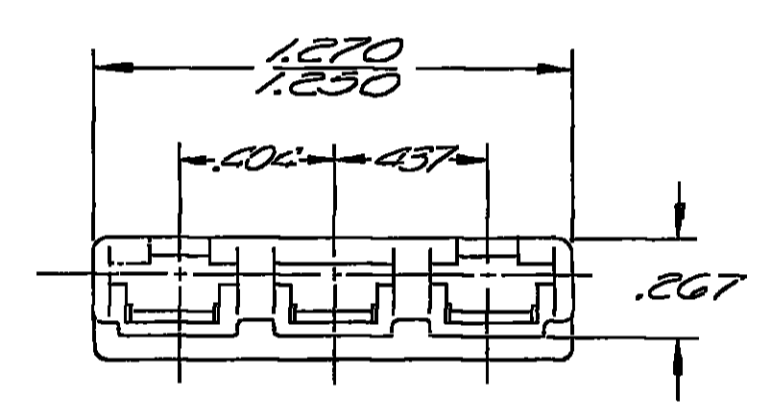
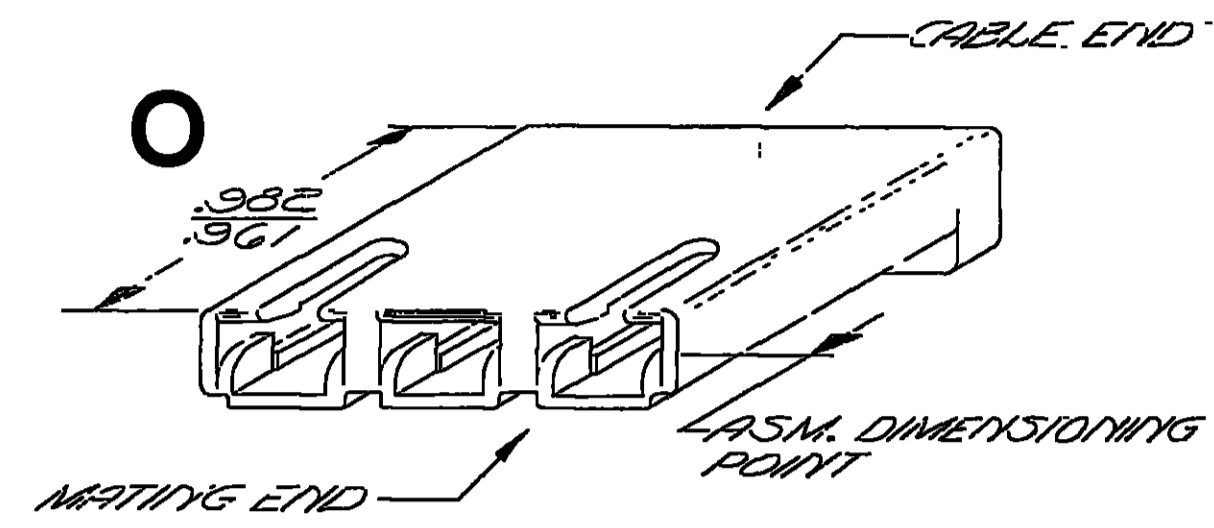


DWG STATUS						ZONE	REVISION HISTORY	AUTH	DR	APVD 1	APVD 2
DATE	STG	REV	N/P	CHG							
17N065	R	A	-	-	-		OUTLINE DWG. ISSUED TO SUPPLEMENT "C" SIZE DETAIL DWG.	22335	-	-	-
15N073	R	-	-	-	-		165 ROUTING & 6901 CODE ADDED.	51257	-	-	-
07AP05	R	03	-	-	-		MATL. SPEC. WAS R-0067550 POLYP-BLK ADDED DELPHI LOGO & RECYCLING NOTES.	263631	VSH	AMR	ET
22SE06	R	03	AA	-	-		.982/.961 WAS .982/.970	284919	ACG	FRG	EST



MATING END

NOTES

- UNLESS OTHERWISE SPECIFIED AND/OR INDICATED:  
DIMENSIONS ARE TO FACE OF VIEW SHOWN.  
CAVITIES ARE IDENTICAL.  
LOCKING FEATURES ARE IDENTICAL.
- MATERIAL RECYCLING CODE PER ISO 11469. (2.3) X (0.1) RAISED CHARACTERS AS SHOWN TO BE LOCATED ON ANY EXTERIOR SURFACE. OPTIONAL CONSTRUCTION TO BE NO MATERIAL RECYCLING CODE.
- THIS PART IS NOT CONTROLLED FOR AUTOMATIC FEEDING
- (2.3) X (0.1) RAISED DELPHI CORPORATE BRAND TO BE LOCATED ON ANY EXTERIOR SURFACE. PREFERABLY VISIBLE AT FINAL ASSEMBLY. OPTIONAL CONSTRUCTION TO BE "PED" OR NO LOGO.

DWG TYPE		PART DRAWING	
STYLE			
VOLUME (CM <sup>3</sup> )	DISTR CODE		
	D		
UNLESS OTHERWISE SPECIFIED			
THIS DOCUMENT IS IN ACCORDANCE WITH ASME Y14.5M-1994 AS AMENDED BY THE GM GLOBAL DIMENSIONING AND TOLERANCING ADDENDUM - 1997. ALL GEOMETRIC TOLERANCES AND RELATED DATUMS APPLY RFS. RULE #1 (PERFECT FORM AT MMC) DOES NOT APPLY WHEN RELATIONSHIP BETWEEN FEATURES IS ESTABLISHED BY ORIENTATION OR LOCATION TOLERANCES. SEPARATE POSITION CALLOUTS MAY BE GAGED SEPARATELY, REGARDLESS OF DATUM REFERENCE. ALL DIMENSIONS ARE IN INCHES			
REFERENCE			
2977646 "C" SIZE			

TOLERANCE UNLESS OTHERWISE SPECIFIED:  
DECIMAL :            ANGULAR ±2°  
TWO PLACE :        ±0.01  
THREE PLACE :     ±0.005

THIRD ANGLE PROJECTION  
DO NOT SCALE  
USE MATH DATA

**DELPHI**  
DELPHI PACKARD ELECTRIC SYSTEMS  
WARREN, OH

DR DAUGHERTY		DATE	17N065
APVD1 LIEST		20N065	
APVD2			
APVD3			
APVD4			
APVD5			
SUBSTANCES OF CONCERN AND RECYCLED CONTENT PER DELPHI 10949001			
MATERIAL M2097001 PP 1M BLK			
DRAWING NAME CONN. BODY - 56 SERIES 3 FEMALE TERMINAL			
DRAWING NUMBER <b>2977646</b>			
SIZE A2	SCALE N/A	FRAME NO 1 OF 1	SHEET NO 1 OF 1
STG R	REV 03	N/P AA	