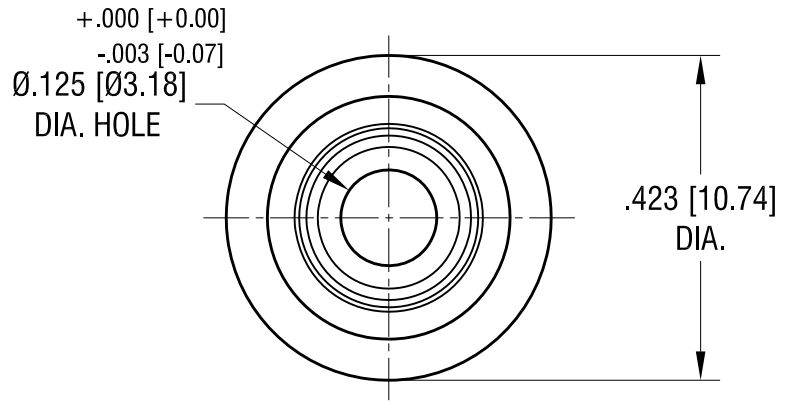
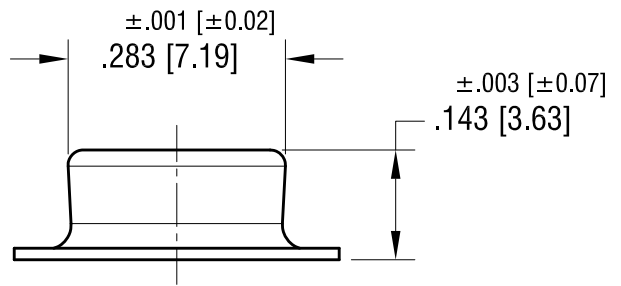
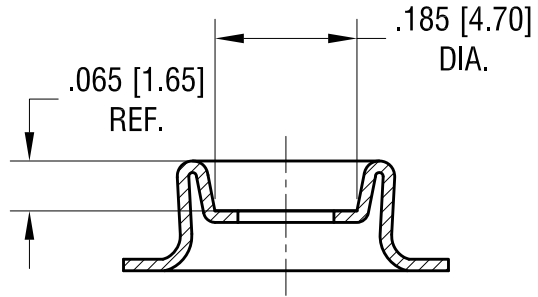
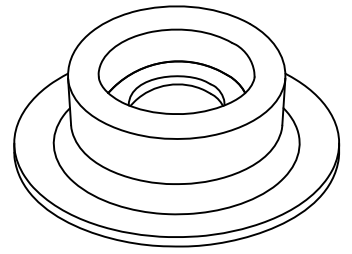


THIS DOCUMENT IS THE PROPERTY OF
KEYSTONE ELECTRONICS CORP. AND
SHALL NOT BE REPRODUCED, DISTRIBUTED
OR USED AS A BASIS FOR MANUFACTURE
WITHOUT PRIOR WRITTEN PERMISSION
FROM KEYSTONE ELECTRONICS CORP.



NOTE:

- 1. FINISH: ELECTROLESS NICKEL PLATE

KEYSTONE ELECTRONICS CORP.			
www.keyelco.com • ASTORIA, N.Y. 11105-2017 • Tel (718) 956-8900			
PART NAME		9 VOLT BATTERY STUD	
MATERIAL		.015 [0.38] TH'K BRASS	
FINISH		DRN BY	DATE
AS NOTED		LN	2.05.82
		APP'D	SCALE
		LN	4X
TOLERANCES	INCH [MM]	CODE	DWG NO.
DECIMAL	± .010 [± 0.25]	C	262
ANGULAR	± 1°		
UNLESS OTHERWISE SPECIFIED			

12.03.11	REDRAWN IN CAD FORMAT	
DATE	DESCRIPTION	REV.