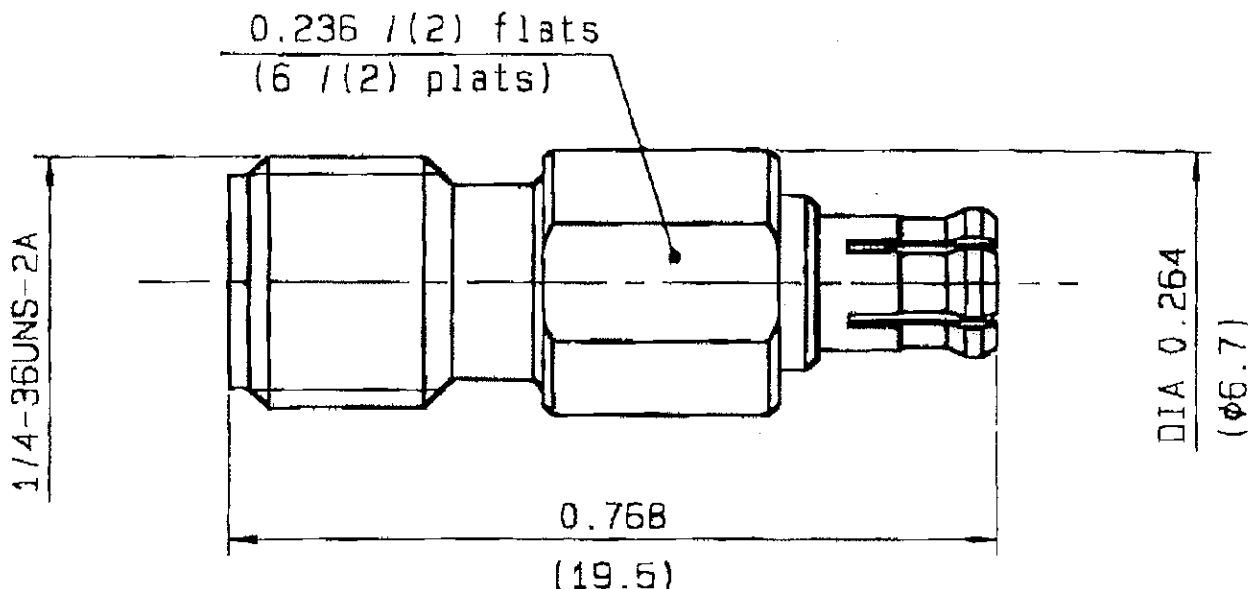


**SMA FEMALE - R-MCX FEMALE
STRAIGHT ADAPTER PACK.100**

R191.976.020
SERIES ADAPT



NOMINAL IMPEDANCE	50	Ω
FREQUENCY RANGE	0-6	GHz
TEMPERATURE RATING	-65/+155	$^{\circ}C$
V.S.W.R	1.10 +	x F(GHz)Max1
RF INSERTION LOSS	0.05 \sqrt{F} (GHz)	dB Max1
VOLTAGE RATING	100	Veff Max1
DIELECTRIC WITHSTANDING VOLTAGE	350	Veff Mini
INSULATION RESISTANCE	5000	M Ω Mini
HERMETIC SEAL	NA	Atm.cm ³ /s
LEAKAGE (pressurized only)	NA	
MECHANICAL DURABILITY	5000	Cycles
WEIGHT	0.0899	g
SPECIFICATION		

CABLES :

OTHERS CHARACTERISTICS

CABLE RETENTION	0	lb Mini
CENTER CONTACT RETENTION		
Axial force - mating end	6.06	lb Mini
Axial force - opposite end	6.06	lb Mini
Torque	3.96	Inch.oz
RECOMMENDED TORQUES		
Mating	NA	Inch.lb
Panel nut	NA	Inch.lb
Clamp nut	NA	Inch.lb

CONNECTOR PARTS: MATERIALS

FINISH (all values are given in microinch)

BODY	BRASS
OUTER CONTACT	BERYLLIUM COPPER
CENTER CONTACT	BERYLLIUM COPPER
INSULATOR	PTFE
GASKET	
OTHERS PIECES	

BR80
TIN NICKEL
GOLD 50 OVER NICKEL 80
-
-

ISSUE	CREATION DATE	FILE PART-NUMBER
0430A01	16-OCT-96	96-0400-534



RADIALL®

The information given here is subject to change without notice. Design changes may be in order to improve the product.

Connect to the future