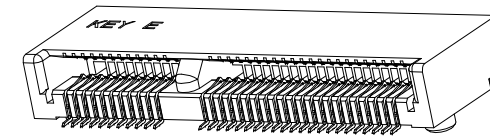
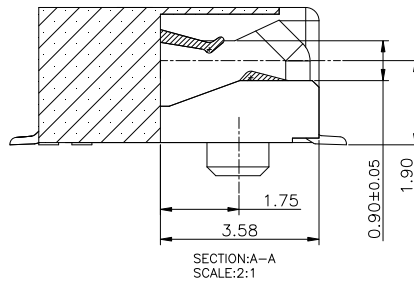
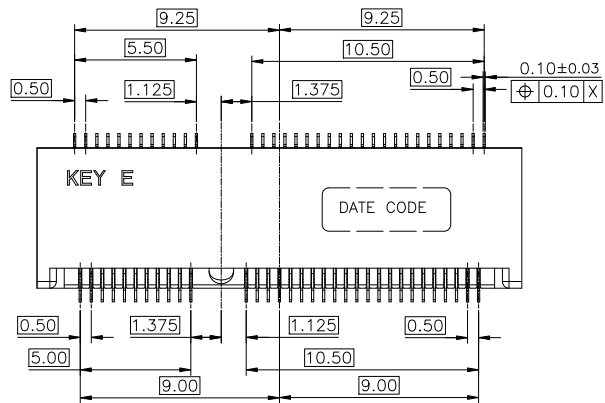
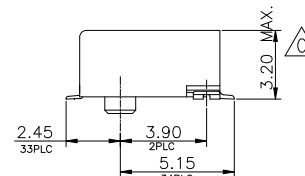
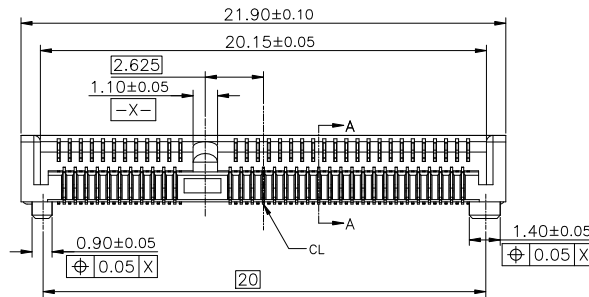


HF
Halogen Free

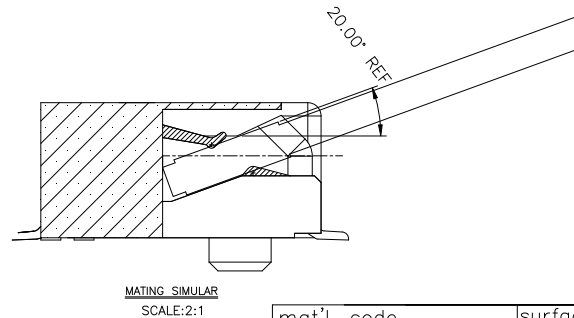
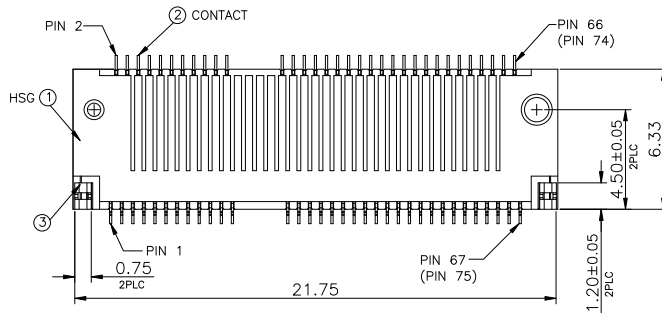


NOTES:

1. MATERIAL:
 - 1.1 HOUSING: HIGH TEMPERATURE THERMOPLASTIC, UL94V-0, COLOR: BLACK.
 - 1.2. CONTACT: COPPER ALLOY.
 - 1.3. SOLDER PEG: STAINLESS STEEL.
2. FINISH:
 - 2.1 CONTACT:
 - UNDERPLATING NICKEL 50u" MIN OVERALL
 - MATING AREA: GOLD PLATING, THICKNESS SEE TABLE
 - SOLDER AREA: GOLD FLASH 1u" MIN.
 - 2.2 SOLDER PEG:
 - UNDERPLATING NICKEL 50u" MIN OVERALL
 - 80u" MIN MATTE TIN ON SURFACE
3. DATE CODE : YYWWDLX
 - YY: YEAR (09: 2009)
 - WW: WEEK (25: THE 25TH WEEK)
 - D: DAY (1~7: SUNDAY~SATURDAY)
 - L: LINE NUMBER OF ASSEMBLY (A: LINE A)
 - X: D OR N (D: DAY; N: NIGHT)
4. PRODUCT SPECIFICATION SEE FCI GS-12-1195
5. PART NUMBER DESCRIPTION:
 - 10128788-00XRLF



- LF: LEAD FREE & RoHS COMPLIANCE
- PACKAGE CODE:
 - R: TAPE & REEL PACKING
- PLATING CODE:
 - 1: GOLD FLASH ON CONTACT AREA
 - 4: 15u" Min GOLD ON CONTACT AREA
 - 5: 30u" Min GOLD ON CONTACT AREA



30u" Au	10128788-005RLF
15u" Au	10128788-004RLF
GOLD FLASH	10128788-001RLF
CONTACT AREA	FCI P/N

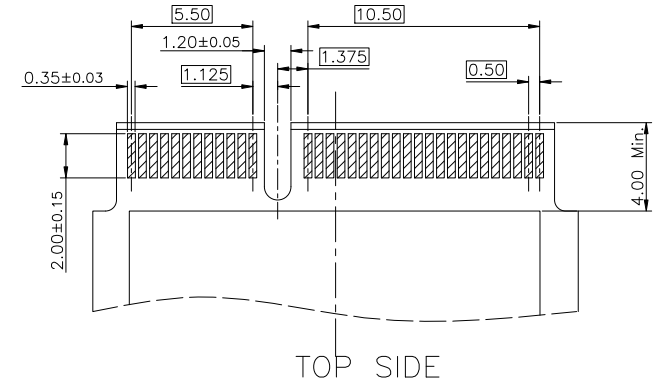
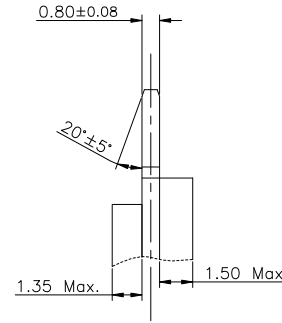
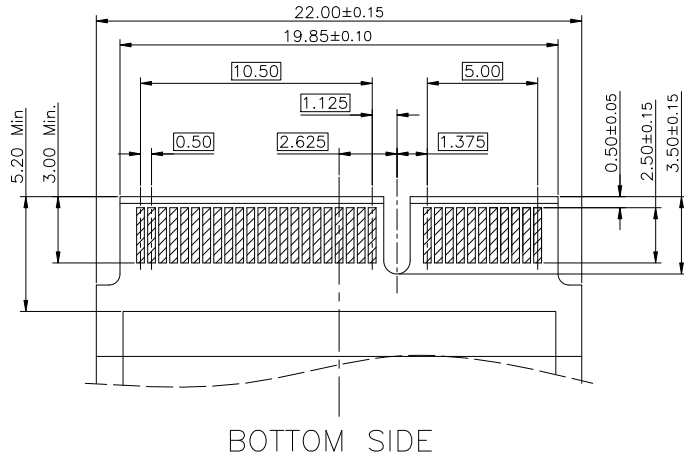
mat'l. code		surface	tolerance	projection	product family
ltr ecn no dr date		tolerances unless otherwise specified		mm	title
A		BF	2013-04-18		
B	ELX-T-19318	TAI	2014-11-10	scale	
C	ELX-T-20858	TAI	2015-05-11		dwg no 10128788 sheet 1 of 3 size A4 type Customer Drawing
		dr	BEER FU	2013-05-02	
		enrg	BEER FU	2013-05-02	
		chr	BEER FU	2013-05-02	
		appd	BEER FU	2013-05-02	
sheet index	revision sheet	C	C	C	
		1	2	3	



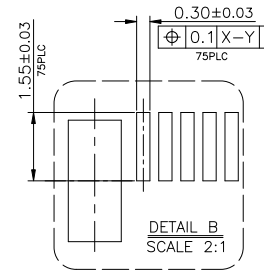
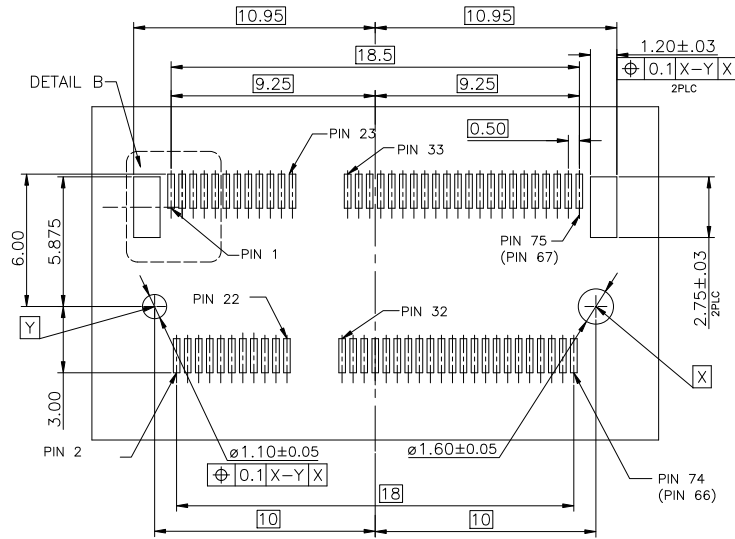
HF
Halogen Free



PLUG PCB



RECOMMENDED M.2(NGFF) MINI CARD MOUNTING TYP PCB_LAYOUT



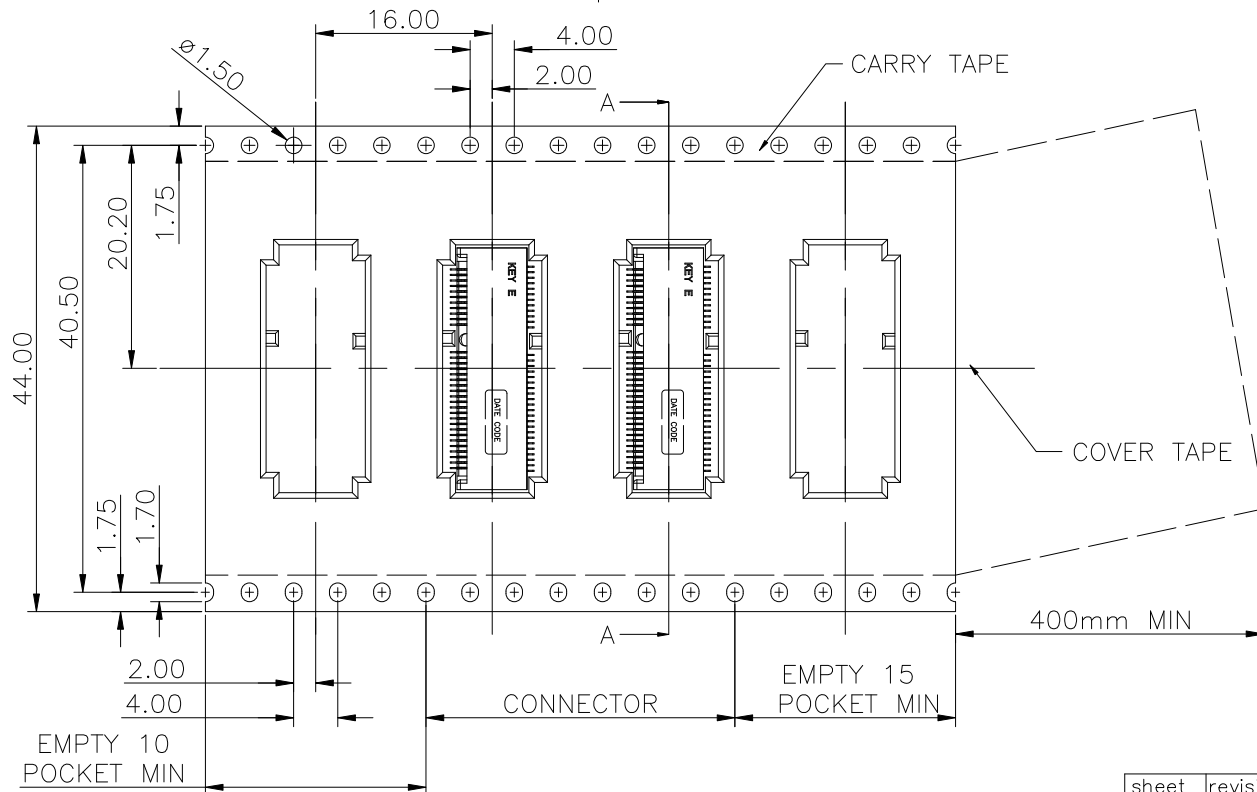
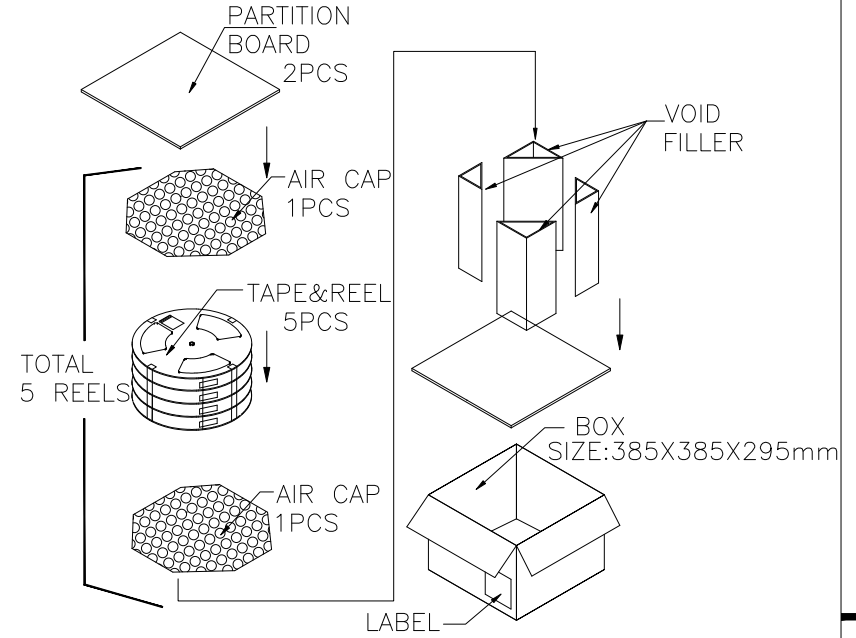
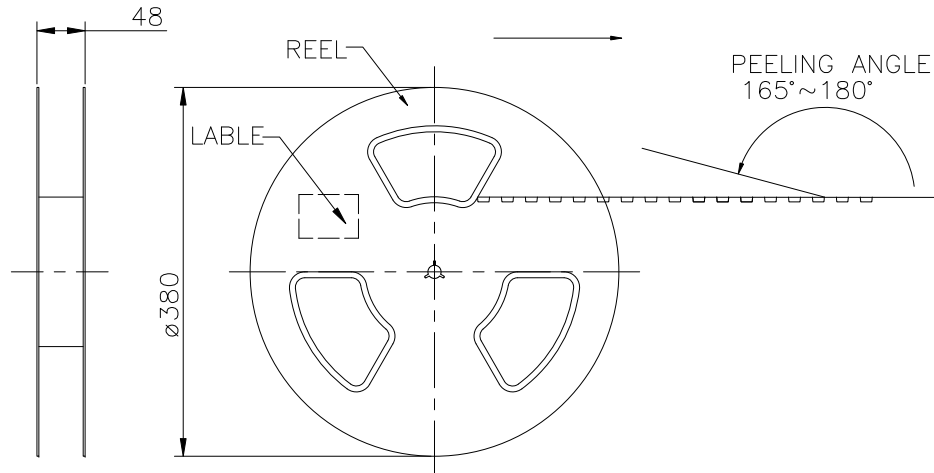
	dwg no	sheet 2 of 3	size
	10128788		A4
	type Customer Drawing		

sheet index	revision sheet	C 1	C 2	C 3															
-------------	----------------	-----	-----	-----	--	--	--	--	--	--	--	--	--	--	--	--	--	--	--

HF
Halogen Free



FEEDING DIRECTION



1400	5	7000	7.85Kg	3.5Kg
PCS/ TAPE	REELS/ BOX	PCS/BOX	GROSS WEIGHT	NET WEIGHT

	dwg no	sheet 3 of 3	size
	10128788		A4
	type	Customer Drawing	

sheet index	revision sheet	C	C	C																
	1	2	3																	