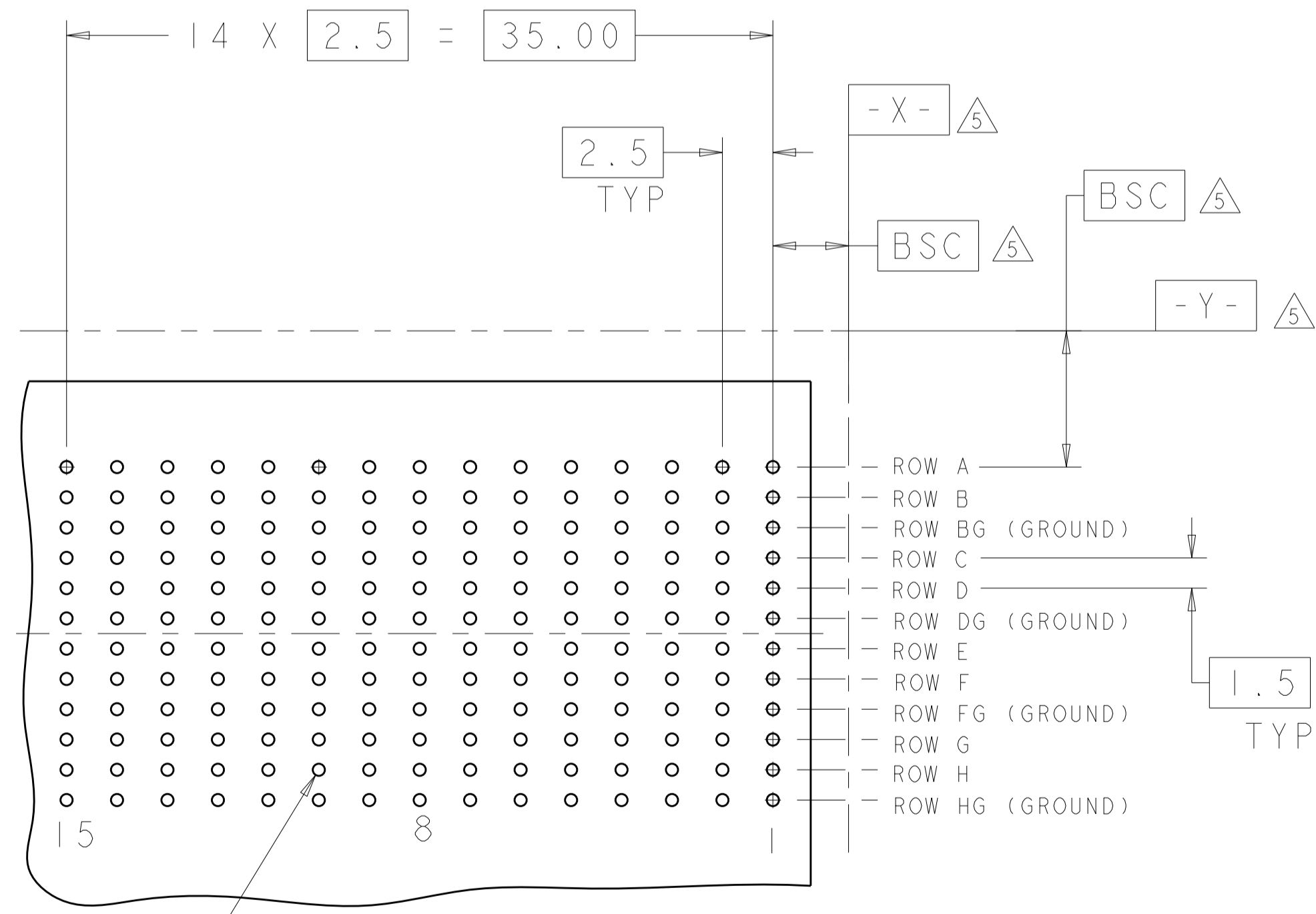
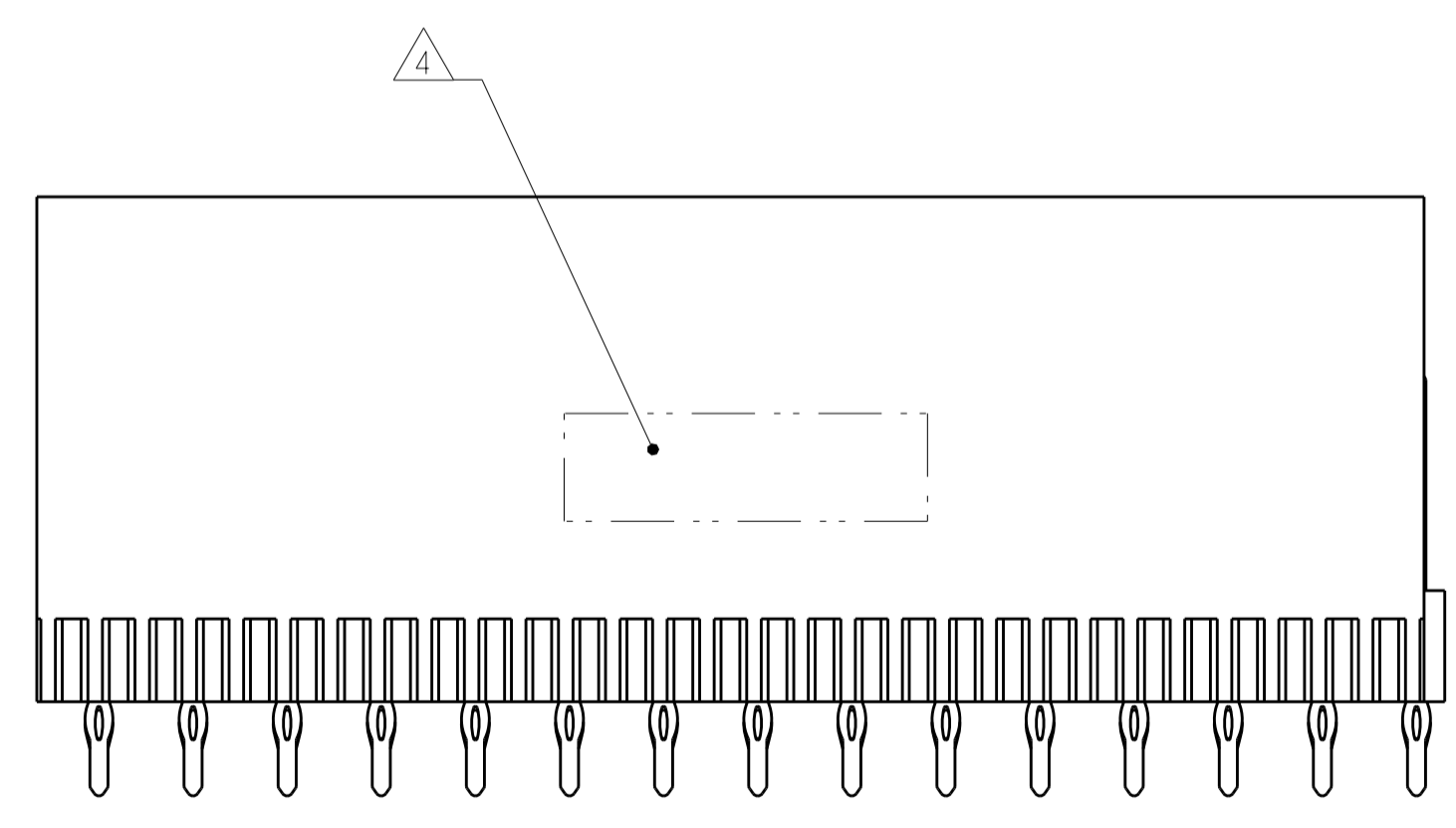
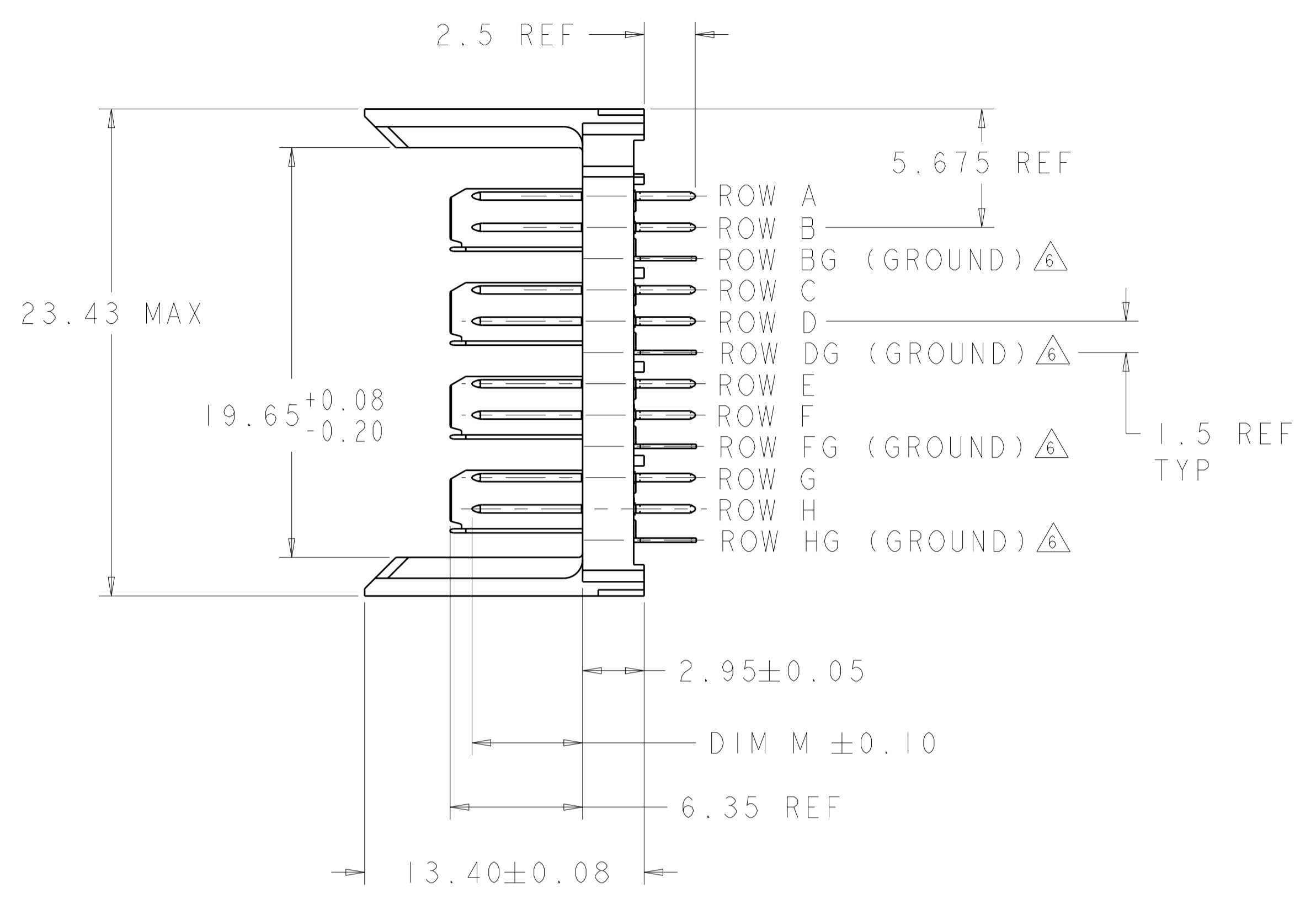
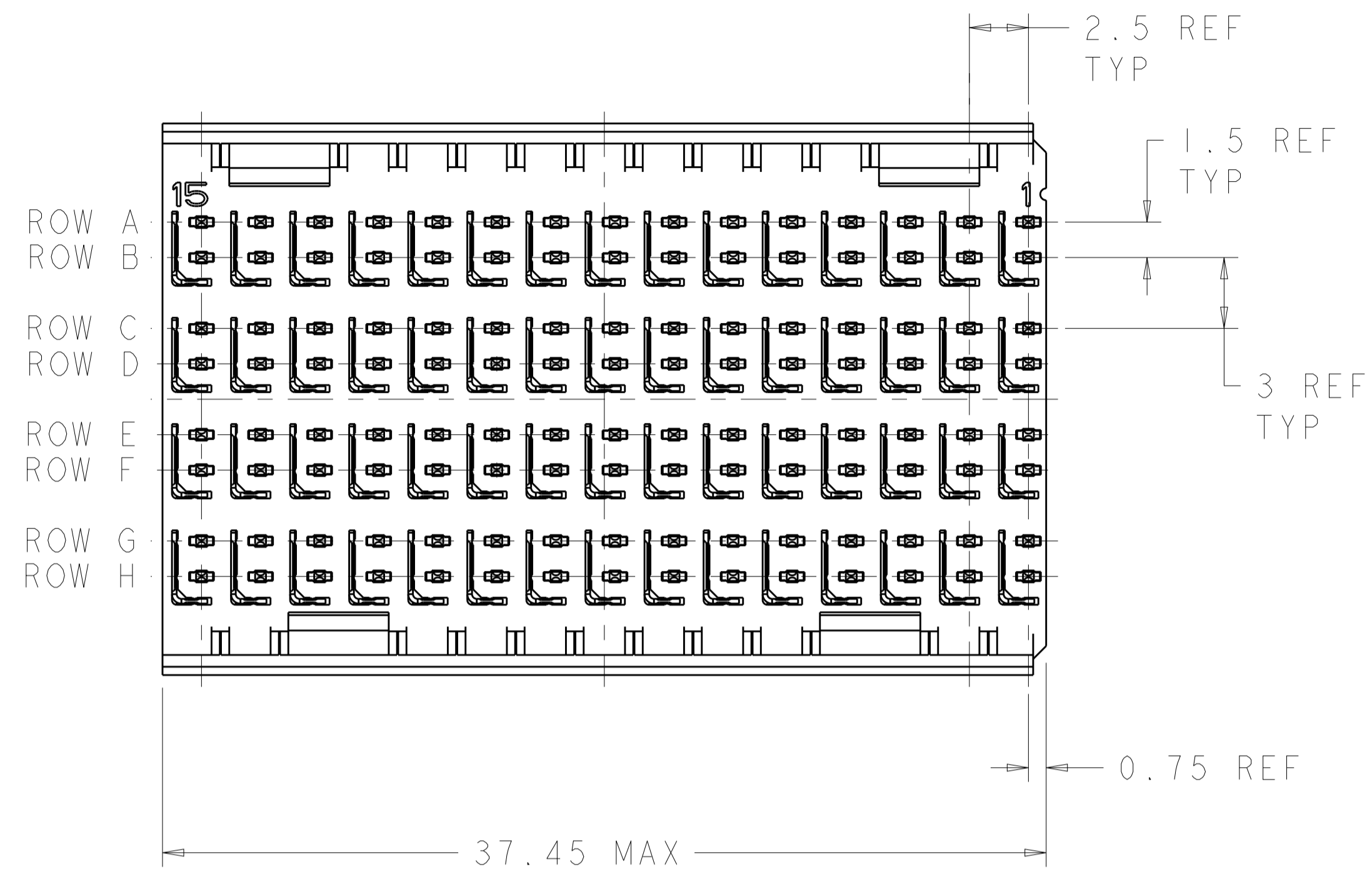


LOC		DIST		REVISIONS			
AD	00	P	LTH	DESCRIPTION	DATE	DWN	APVD
		D1		REVISED PER ECO-13-003342	04MAR2013	KH	MH



⊕ Ø0.05 X Y
 ALL PLATED THRU HOLES
 RECOMMENDED PC BOARD LAYOUT, BACKPLANE, COMPONENT SIDE SHOWN SCALE 4:1

- 1 REFERENCE APPLICATION SPEC 114-13059 FOR RECOMMENDED PLATED THRU HOLE DIAMETER AND PLATING THICKNESSES.
- 2 MATERIAL:
 CONTACT AND SHIELD - PHOSPHOR BRONZE
 HOUSING - GLASS FILLED POLYESTER, UL 94V-0.
- 3 FINISH: SIGNAL AND GROUND CONTACTS:
 MATING AREA: MEETS THE PERFORMANCE REQUIREMENTS OF PRODUCT SPECIFICATION 108-2055; BASED ON TELCORDIA GR-1217-CORE, APPLICATIONS IN UNCONTROLLED ENVIRONMENTS
 COMPLIANT PIN AREA: 0.5 μm MIN BRIGHT TIN-LEAD OVER BASE PLATING
- 4 CONNECTOR MARKED WITH PART NUMBER AND DATE CODE.
- 5 DATUMS AND BASIC DIMENSIONS ESTABLISHED BY CUSTOMER.
- 6 THE FOUR GROUNDS IN EACH COLUMN ARE COMMONED.
- 7. CONTACT AREA LUBRICATED WITH BELLCORE APPROVED LUBRICANT. TECHNICAL REFERENCE: GR-1217-CORE, ISSUE 1, NOVEMBER 1995.
- 8 OBSOLETE PARTS: OBSOLETE CIS STREAMLINING PER D.RENAUD/D.SINISI

OBSOLETE	3.80	1469296-2
	5.30	1469296-1
	DIM M	PART NUMBER

THIS DRAWING IS A CONTROLLED DOCUMENT.		DWN: S. J. MAGARO 25MAR2003	TE Connectivity
DIMENSIONS: mm		CHK: R. A. PATTERSON 25MAR2003	
TOLERANCES UNLESS OTHERWISE SPECIFIED:		APVD: R. A. PATTERSON 19MAY2003	NAME: HEADER ASSEMBLY, 4 PAIR, 2.5mm TAIL, 37.5mm HMZd
0 PLC	±	PRODUCT SPEC	SIZE: CAGE CODE DRAWING NO
1 PLC	±	APPLICATION SPEC	RESTRICTED TO
2 PLC	±	WEIGHT	A100779C=1469296
3 PLC	±	Customer Drawing	SCALE 5:1 SHEET 1 OF 1 REV D1
4 PLC	±		
ANGLES	±		
FINISH	±		