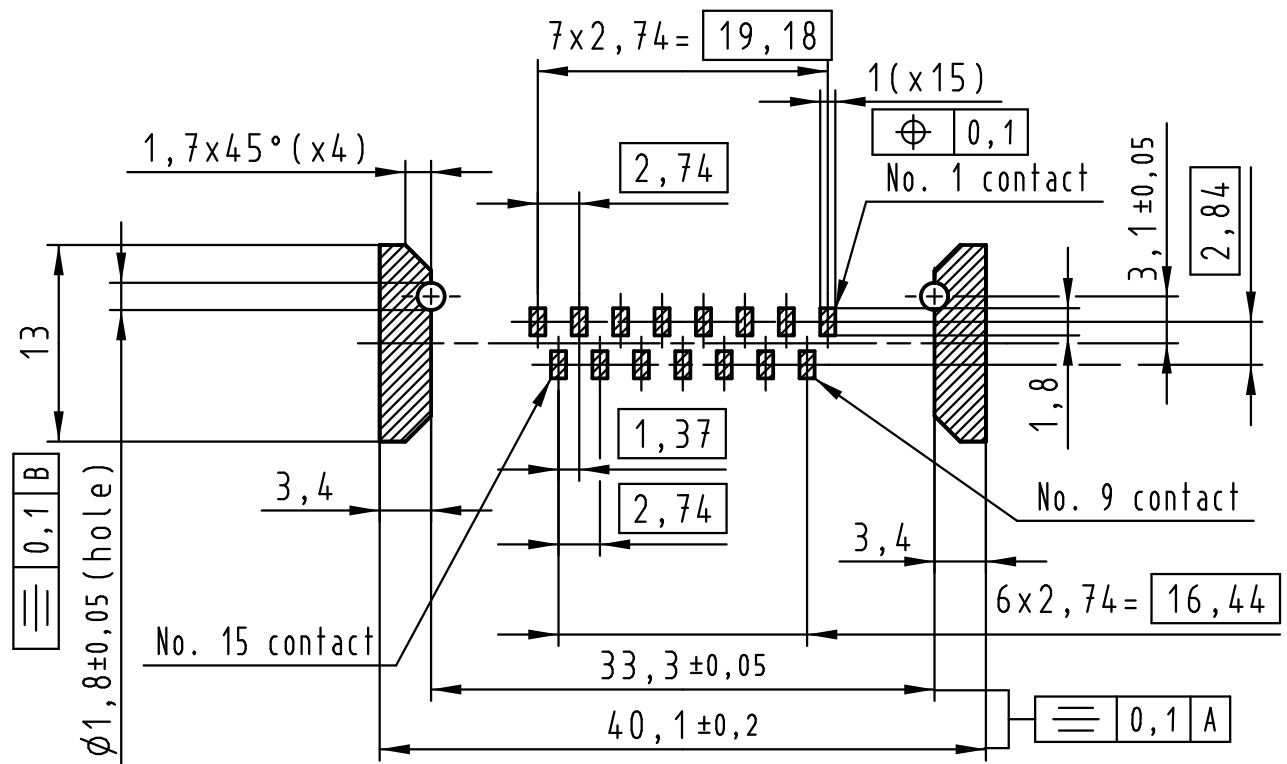
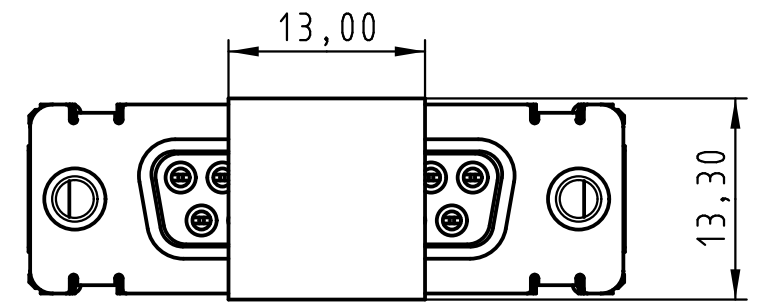
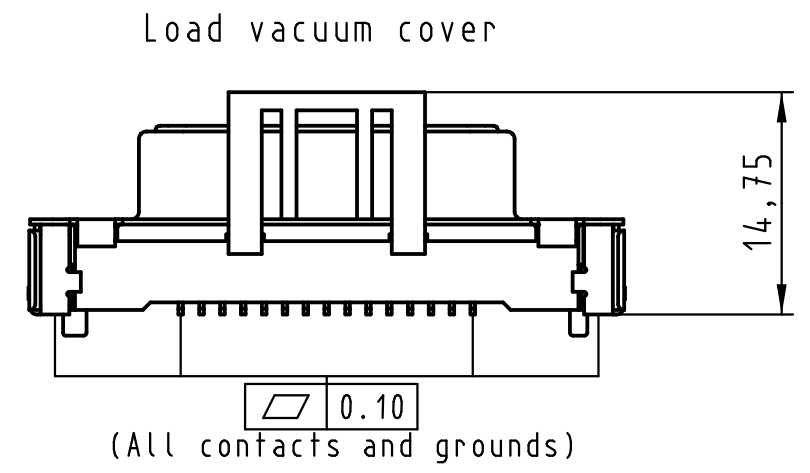
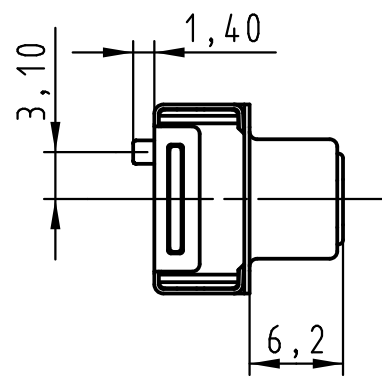
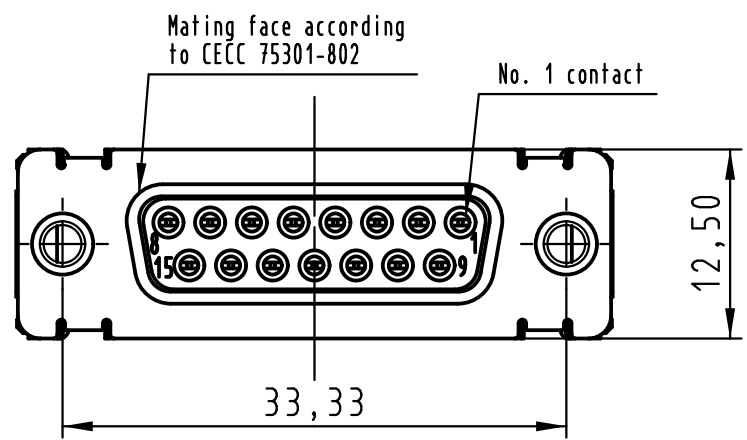
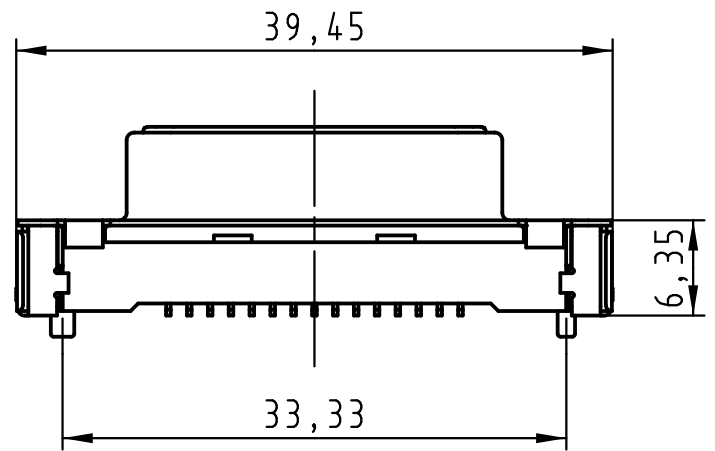


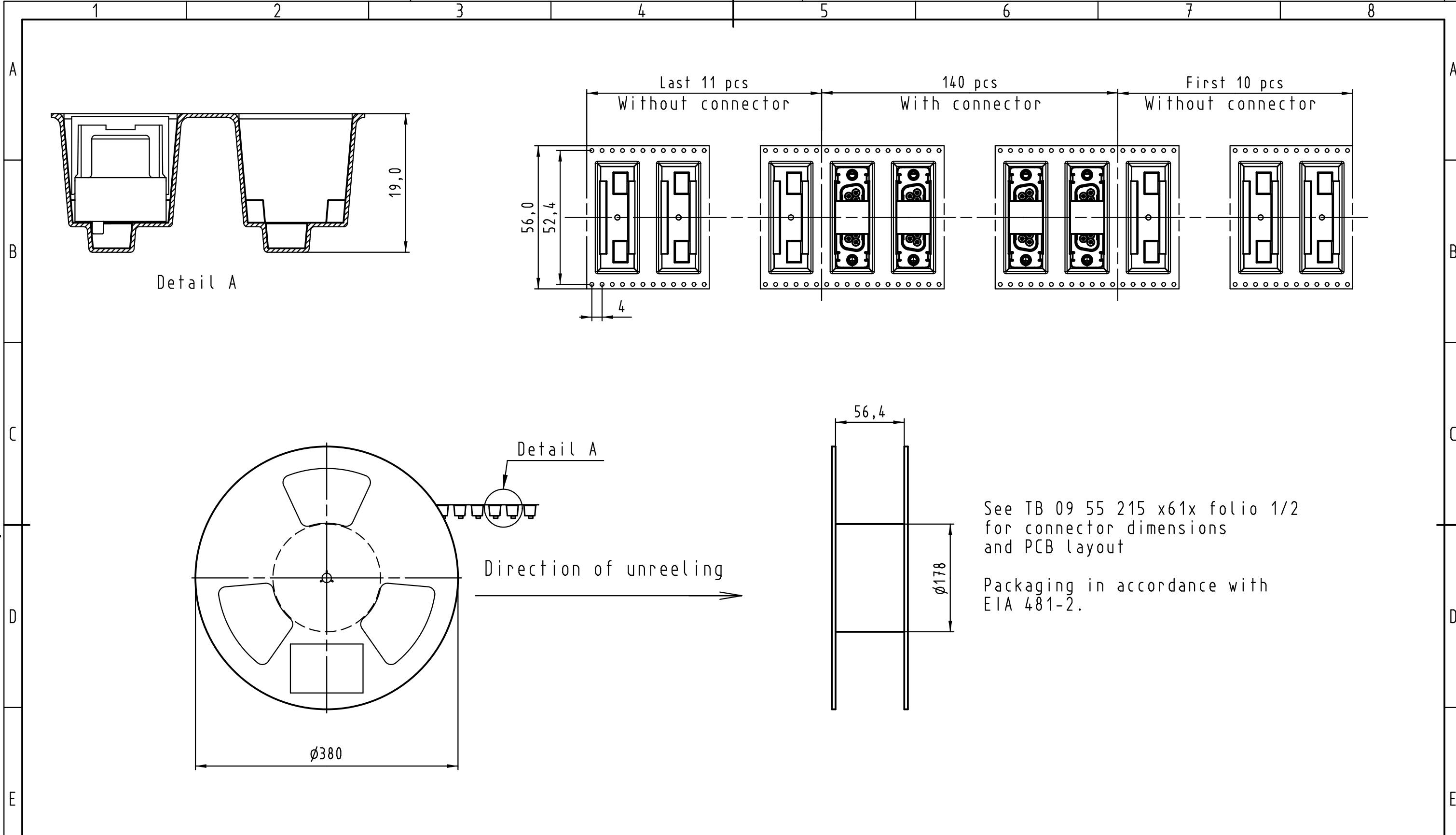
All rights reserved



PCB layout, component side

Max. Temperature: 260° during 10 seconds.

0955 215 3611 741	1	M3	Black insulator	Reel Packaging: 140 connectors (See details on page2/2)
0955 215 3612 741	1	4-40 UNC		
0955 215 6611 741	2	M3		
0955 215 6612 741	2	4-40 UNC		
0955 215 7611 741	3	M3		
0955 215 7612 741	3	4-40 UNC		
Part number	PL	Nut	Index designation	
		Techn. Character.		Free size tolerances
		Dat.	Name	Scale
		Detail.	25-Oct-11 Johnson.S	2:1
		Insp.	17-Nov-11 Steven.W	
		Stand.	17-Nov-11 Steven.W	
EC04070	17-Nov-11	Johnson.S	Zhuhai HARTING Limited	
Mod.	Dat.	Name	TB 09 55 215 x61x	Page 1/2
			Sub.	



All rights reserved

0955 215 3611 741	1	M3	Black insulator	Reel Packaging: 140 connectors
0955 215 3612 741	1	4-40 UNC		
0955 215 6611 741	2	M3		
0955 215 6612 741	2	4-40 UNC		
0955 215 7611 741	3	M3		
0955 215 7612 741	3	4-40 UNC		
Part number	PL	Nut	Index designation	

All Dimensions in mm Original Size DIN A 3			Techn. Character.			Free size tolerances						
				Dat.	Name	Scale						
				Detail.	25-Oct-11	Johnson.S	D-Sub SMT, 15 poles Female, Straight with nuts and ground pads					
				Insp.	17-Nov-11	Steven.W						
				Stand.	17-Nov-11	Steven.W						
EC04070	17-Nov-11	Johnson.S	Zhuhai HARTING Limited			TB 09 55 215 x61x						
Mod.	Dat.	Name				Sub. <table style="float: right; border: 1px solid black;"> <tr> <td>Page</td> <td>2</td> </tr> <tr> <td>Sub.</td> <td>2</td> </tr> </table>			Page	2	Sub.	2
Page	2											
Sub.	2											