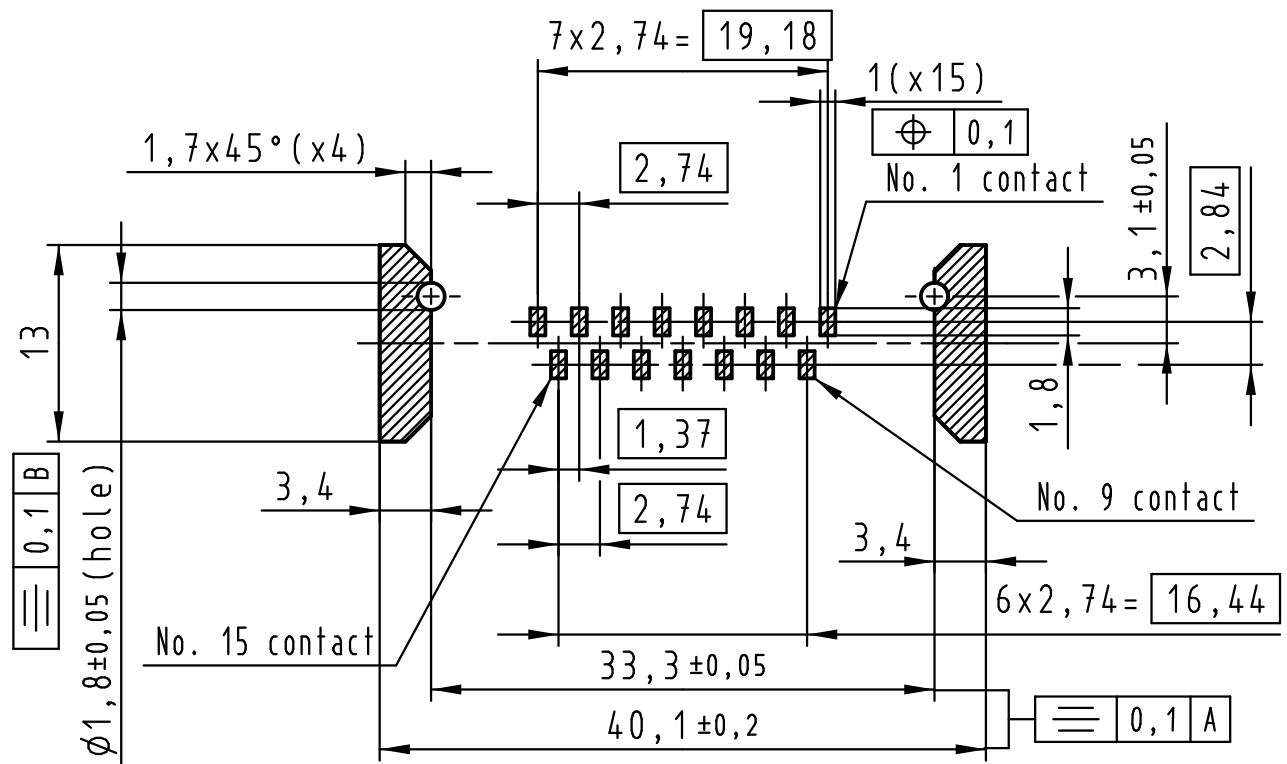
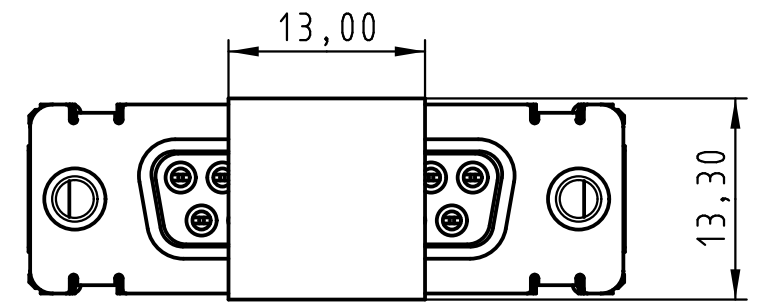
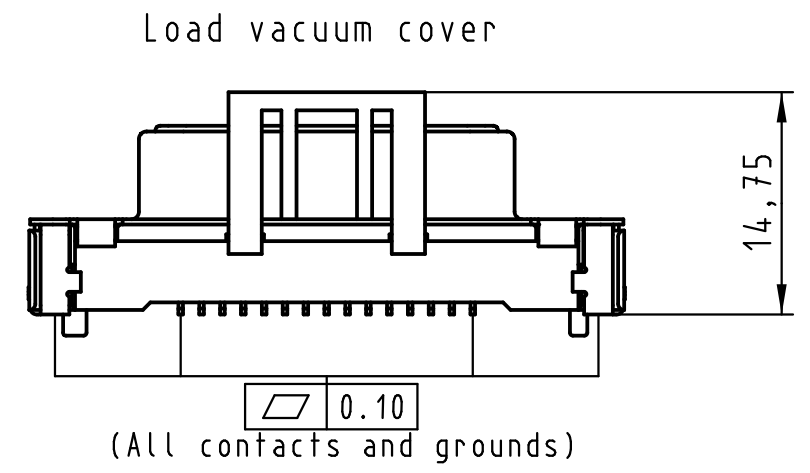
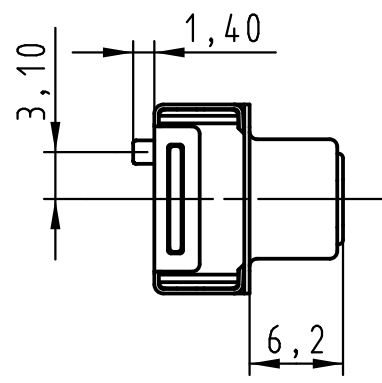
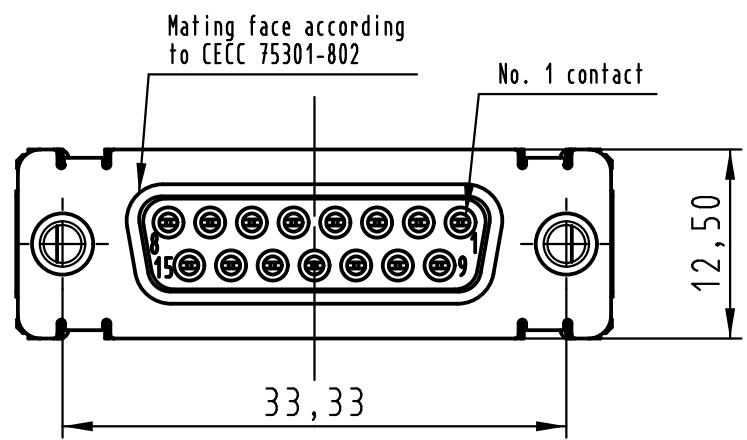
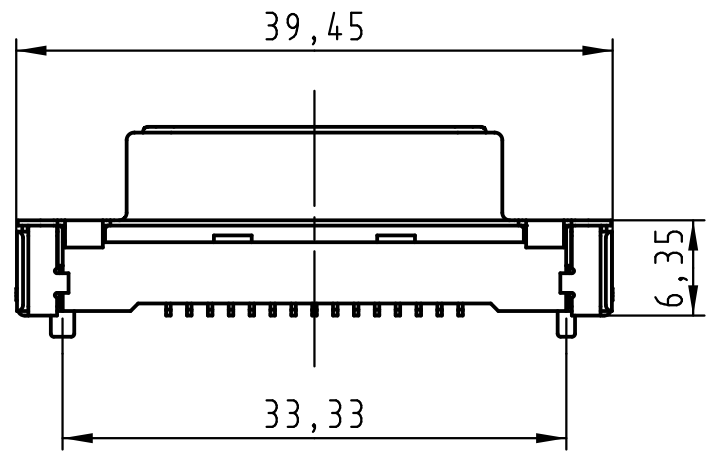


All rights reserved



PCB layout, component side

Max. Temperature: 260° during 10 seconds.

0955 215 3611 741	1	M3	Black insulator	Reel Packaging: 140 connectors (See details on page2/2)										
0955 215 3612 741	1	4-40 UNC												
0955 215 6611 741	2	M3												
0955 215 6612 741	2	4-40 UNC												
0955 215 7611 741	3	M3												
0955 215 7612 741	3	4-40 UNC												
Part number	PL	Nut	Index designation											
		Techn. Character.		Free size tolerances										
		<table border="1"> <tr> <th>Dat.</th> <th>Name</th> <th>Scale</th> </tr> <tr> <td>Detail. 25-Oct-11</td> <td>Johnson.S</td> <td rowspan="3">2:1</td> </tr> <tr> <td>Insp. 17-Nov-11</td> <td>Steven.W</td> </tr> <tr> <td>Stand. 17-Nov-11</td> <td>Steven.W</td> </tr> </table>		Dat.	Name	Scale	Detail. 25-Oct-11	Johnson.S	2:1	Insp. 17-Nov-11	Steven.W	Stand. 17-Nov-11	Steven.W	D-Sub SMT, 15 poles Female, Straight with nuts and ground pads
Dat.	Name	Scale												
Detail. 25-Oct-11	Johnson.S	2:1												
Insp. 17-Nov-11	Steven.W													
Stand. 17-Nov-11	Steven.W													
EC04070 Mod.	17-Nov-11 Dat.	Johnson.S Name	Zhuhai HARTING Limited	TB 09 55 215 x61x Sub.										
				Page 1/2										

