

# HPC104N (11.5x10x4)

SMD, Magnetically Shielded Power Inductor

**HALO**  
ELECTRONICS, INC.



## Product Features:

- Designed for switch mode power supplies
- Ideal for real estate sensitive applications such as cell phones and disc drives.
- Magnetically shielded design minimizes flux interferences.
- Available in tape and reel packaging.
- Please contact your representative for custom designs.

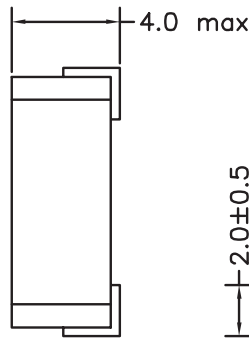
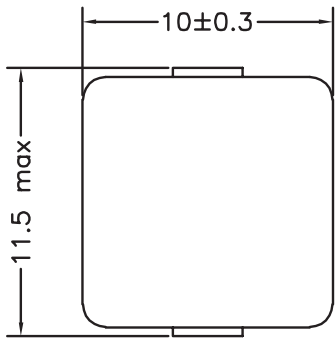
| Part Number    | Inductance (μH) <sup>2</sup> | DCR (mΩ) TYP | DCR (mΩ) MAX | Heat Rating Current (ADC) <sup>3</sup> | Saturation Current (ADC) <sup>4</sup> | Lead Width ±0.5 |
|----------------|------------------------------|--------------|--------------|--|---------------------------------------|-----------------|
| HPC104N-R22MTR | 0.22                         | 0.9          | 1.1          | 35                                     | 54                                    | 3.0             |
| HPC104N-R36MTR | 0.36                         | 1.0          | 1.3          | 34                                     | 41                                    | 3.0             |
| HPC104N-R47MTR | 0.47                         | 1.4          | 1.5          | 28                                     | 36                                    | 3.0             |
| HPC104N-R56MTR | 0.56                         | 1.5          | 1.8          | 25                                     | 34                                    | 3.0             |
| HPC104N-R68MTR | 0.68                         | 2.4          | 2.7          | 20                                     | 32                                    | 3.0             |
| HPC104N-R88MTR | 0.88                         | 2.1          | 2.4          | 21                                     | 32                                    | 3.0             |
| HPC104N-1R0MTR | 1.0                          | 3            | 3.3          | 19                                     | 26                                    | 3.0             |
| HPC104N-1R5MTR | 1.5                          | 3.8          | 4.2          | 16                                     | 20                                    | 3.0             |
| HPC104N-2R2MTR | 2.2                          | 6.6          | 7            | 12                                     | 18                                    | 1.8             |
| HPC104N-3R3MTR | 3.3                          | 9.5          | 13           | 10                                     | 14                                    | 1.8             |
| HPC104N-4R7MTR | 4.7                          | 13           | 15.5         | 9                                      | 12                                    | 1.8             |
| HPC104N-5R6MTR | 5.6                          | 18.4         | 20           | 7                                      | 12                                    | 1.8             |
| HPC104N-6R8MTR | 6.8                          | 20           | 22           | 7                                      | 11                                    | 1.8             |
| HPC104N-8R2MTR | 8.2                          | 23.2         | 25.5         | 7                                      | 10                                    | 1.8             |
| HPC104N-10RMTR | 10.0                         | 32.1         | 35           | 5                                      | 9                                     | 1.8             |

## Notes:

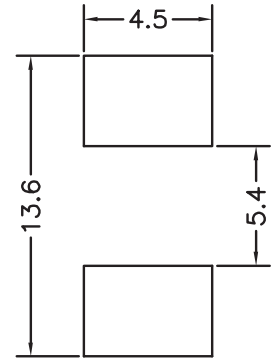
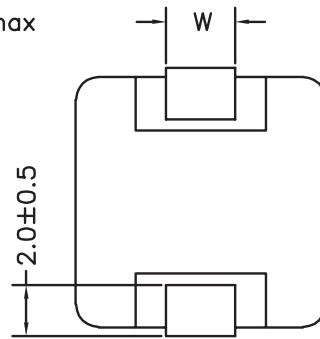
1. Operating Temperature: -55°C to +125°C
2. Inductance tolerance (100kHz, 0.25V, 0ADC): ±20%
3. DC current that will cause approximate 40°C rise in temperature
4. DC current that will cause inductance (L) drop by 20% from nominal
5. Part temperature (ambient + temp rise) should not exceed 125°C under worst case operating conditions
6. Frequency range up to 1.0 MHz

# HPC104N (11.5x10x4)

## Package Dimensions (mm)



See product table for W dimension

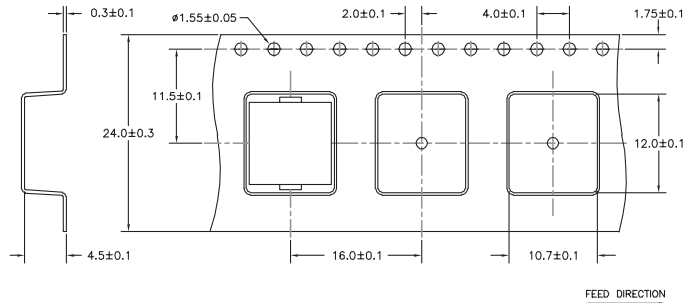


## Tape & Reel Specifications

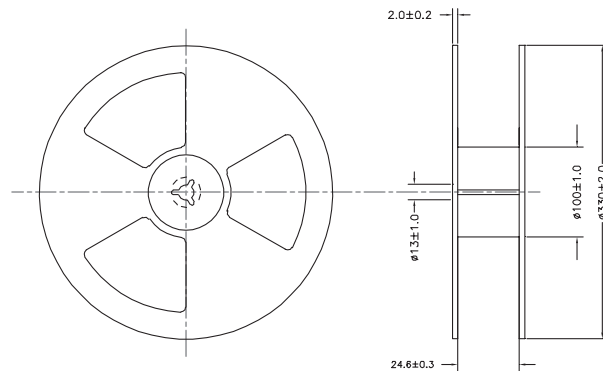
### HPC104N-

700 PARTS PER REEL

### CARRIER TAPE DIMENSIONS (mm)



### REEL DIMENSIONS (mm)



2880 Lakeside Drive #116  
 Santa Clara, CA 95054  
 (650) 903-3800  
[www.haloelectronics.com](http://www.haloelectronics.com)

HALO® Electronics is a leading supplier of high quality communication magnetics including signal transformers, filters, CMR chokes, PoE power transformers, DC/DC converters, and integrated Ethernet connectors. HALO's leading edge technology solutions are manufactured in ISO9001 and ISO14001 factories offering high quality products at a competitive price.

# HPC073N (7.5x6.5x3)

SMD, Magnetically Shielded Power Inductor

**HALO**  
ELECTRONICS, INC.



## Product Features:

- Designed for switch mode power supplies
- Ideal for real estate sensitive applications such as cell phones and disc drives.
- Magnetically shielded design minimizes flux interferences.
- Available in tape and reel packaging.
- Please contact your representative for custom designs.

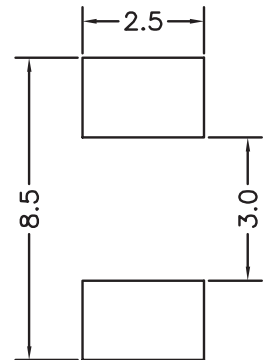
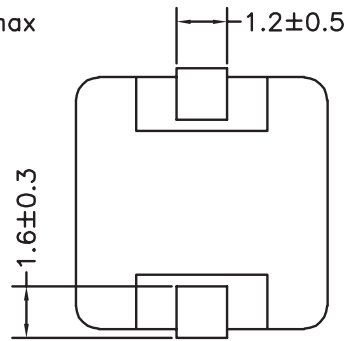
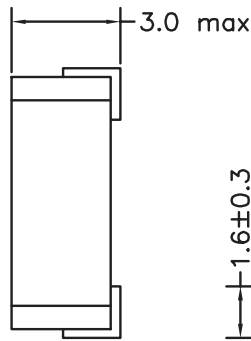
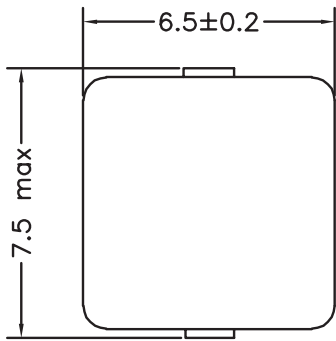
| Part Number    | Inductance<br>( $\mu\text{H}$ ) <sup>2</sup> | DCR (m $\Omega$ ) |     | Heat Rating<br>Current (ADC) <sup>3</sup> | Saturation<br>Current (ADC) <sup>4</sup> |
|----------------|--|-------------------|-----|---|--|
|                |  | TYP               | MAX |   |  |
| HPC073N-R22MTR | 0.22   | 2.3               | 2.7 | 20  | 34                                       |
| HPC073N-R33MTR | 0.33   | 2.8               | 3.4 | 18  | 22                                       |
| HPC073N-R36MTR | 0.36   | 2.8               | 3.4 | 18  | 22                                       |
| HPC073N-R47MTR | 0.47   | 3.7               | 4.4 | 17  | 20                                       |
| HPC073N-R56MTR | 0.56   | 3.8               | 4.5 | 16  | 17                                       |
| HPC073N-R68MTR | 0.68   | 4.5               | 5   | 14  | 17                                       |
| HPC073N-R82MTR | 0.82   | 5.8               | 6.1 | 13  | 17                                       |
| HPC073N-1R0MTR | 1.0  | 6.3               | 7   | 12  | 15                                       |
| HPC073N-1R5MTR | 1.5  | 8                 | 10  | 11  | 13                                       |
| HPC073N-2R2MTR | 2.2  | 17.5              | 19  | 7   | 11                                       |
| HPC073N-3R3MTR | 3.3  | 20                | 24  | 7   | 9  |
| HPC073N-4R7MTR | 4.7  | 26                | 29  | 5.3                                       | 7  |
| HPC073N-5R6MTR | 5.6  | 38                | 40  | 4.5                                       | 6  |
| HPC073N-6R8MTR | 6.8  | 40                | 42  | 4.5                                       | 5.5                                      |
| HPC073N-8R2MTR | 8.2  | 42                | 45  | 4.2                                       | 5  |

## Notes:

1. Operating Temperature: -55°C to +125°C
2. Inductance tolerance (100kHz, 0.25V, 0ADC):  $\pm 20\%$
3. DC current that will cause approximate 40°C rise in temperature
4. DC current that will cause inductance (L) drop by 20% from nominal
5. Part temperature (ambient + temp rise) should not exceed 125°C under worst case operating conditions
6. Frequency range up to 1.0 MHz

# HPC073N (7.5x6.5x3)

## Package Dimensions (mm)



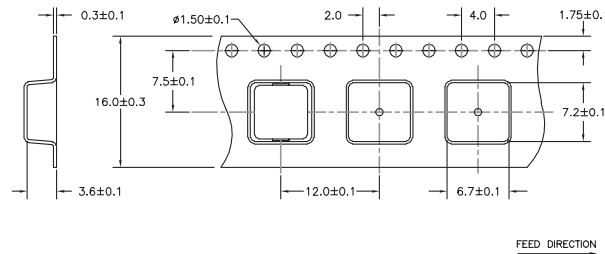
## Recommended Solder Pad

## Tape & Reel Specifications

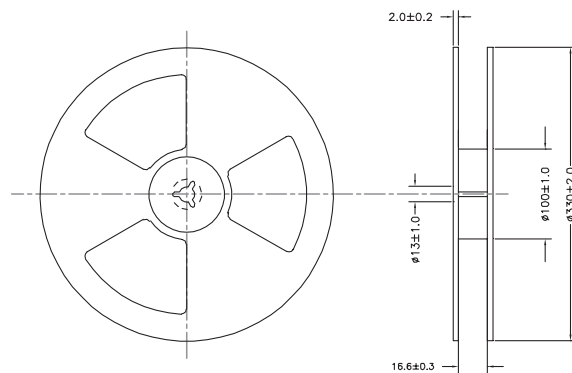
### HPC073N-

1000 PARTS PER REEL

### CARRIER TAPE DIMENSIONS (mm)



### REEL DIMENSIONS (mm)



2880 Lakeside Drive #116  
 Santa Clara, CA 95054  
 (650) 903-3800  
[www.haloelectronics.com](http://www.haloelectronics.com)

HALO® Electronics is a leading supplier of high quality communication magnetics including signal transformers, filters, CMR chokes, PoE power transformers, DC/DC converters, and integrated Ethernet connectors. HALO's leading edge technology solutions are manufactured in ISO9001 and ISO14001 factories offering high quality products at a competitive price.

# HPC042N (4.8x4x2)

SMD, Magnetically Shielded Power Inductor

**HALO**  
ELECTRONICS, INC.



## Product Features:

- Designed for switch mode power supplies
- Ideal for real estate sensitive applications such as cell phones and disc drives.
- Magnetically shielded design minimizes flux interferences.
- Available in tape and reel packaging.
- Please contact your representative for custom designs.

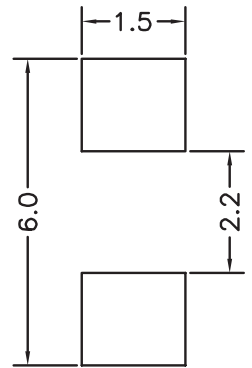
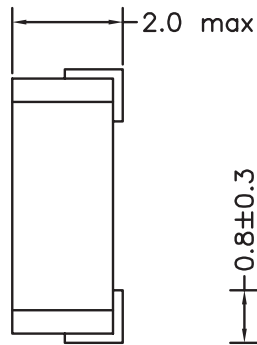
| Part Number    | Inductance<br>( $\mu\text{H}$ ) <sup>2</sup> | DCR (m $\Omega$ ) |      | Heat Rating<br>Current (ADC) <sup>3</sup> | Saturation<br>Current (ADC) <sup>4</sup> |
|----------------|--|-------------------|------|---|--|
|                |  | TYP               | MAX  |   |  |
| HPC042N-R22MTR | 0.22   | 7.8               | 9.3  | 9   | 14                                       |
| HPC042N-R36MTR | 0.36   | 9.5               | 12   | 8   | 11                                       |
| HPC042N-R47MTR | 0.47   | 10                | 13   | 7   | 10                                       |
| HPC042N-R56MTR | 0.56   | 11.8              | 13.5 | 7   | 8  |
| HPC042N-R68MTR | 0.68   | 13.5              | 16   | 6.3                                       | 7  |
| HPC042N-R82MTR | 0.82   | 16                | 18   | 5.5                                       | 6.5                                      |
| HPC042N-R88MTR | 0.88   | 16                | 18   | 5.5                                       | 6.5                                      |
| HPC042N-1R0MTR | 1.0  | 18                | 21.6 | 5   | 6  |
| HPC042N-1R2MTR | 1.2  | 19                | 22   | 5   | 5  |
| HPC042N-1R5MTR | 1.5  | 22                | 26   | 5   | 5  |
| HPC042N-2R2MTR | 2.2  | 33                | 40   | 4.5                                       | 5  |
| HPC042N-3R3MTR | 3.3  | 42                | 48   | 3.6                                       | 4.3                                      |
| HPC042N-4R7MTR | 4.7  | 68                | 75   | 2.7                                       | 4  |

## Notes:

1. Operating Temperature: -55°C to +125°C
2. Inductance tolerance (100kHz, 0.25V, 0ADC):  $\pm 20\%$
3. DC current that will cause approximate 40°C rise in temperature
4. DC current that will cause inductance (L) drop by 20% from nominal
5. Part temperature (ambient + temp rise) should not exceed 125°C under worst case operating conditions
6. Frequency range up to 1.0 MHz

# HPC042N (4.8x4x2)

## Package Dimensions (mm)



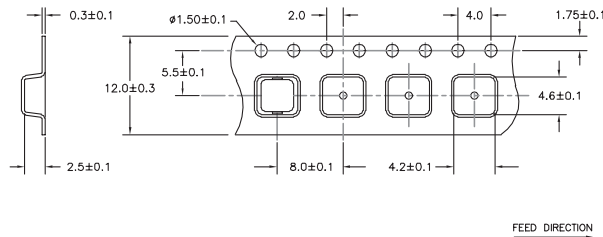
## Recommended Solder Pad

## Tape & Reel Specifications

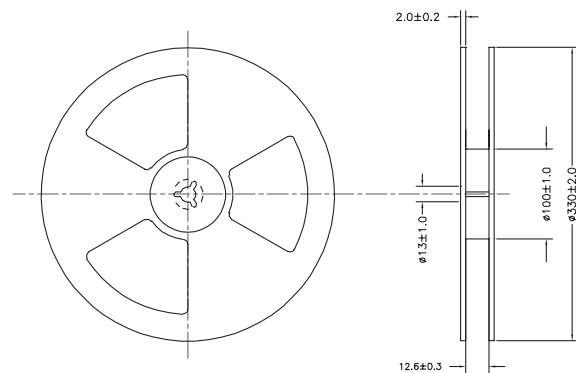
### HPC042N-

2000 PARTS PER REEL

### CARRIER TAPE DIMENSIONS (mm)



### REEL DIMENSIONS (mm)



2880 Lakeside Drive #116  
 Santa Clara, CA 95054  
 (650) 903-3800  
[www.haloelectronics.com](http://www.haloelectronics.com)

HALO® Electronics is a leading supplier of high quality communication magnetics including signal transformers, filters, CMR chokes, PoE power transformers, DC/DC converters, and integrated Ethernet connectors. HALO's leading edge technology solutions are manufactured in ISO9001 and ISO14001 factories offering high quality products at a competitive price.